

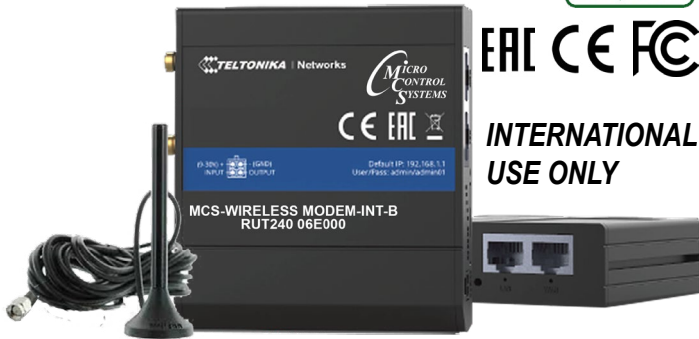


MCS-WIRELESS MODEM-INT-B

Description & Specifications



**INTERNATIONAL
USE ONLY**



Part #
MCS-WIRELESS MODEM-INT-B

Description

The **MCS-WIRELESS MODEM-INT-B** is a compact industrial 4G (LTE) router equipped with 2 Ethernet ports, WiFi and RutOS software for advanced networking solutions. It delivers high performance for mission-critical cellular communication in rigorous environments, where wide operating temperature is required. Equipped with external SIM holder, digital input/output and signal strength status LEDs, it ensures easy network management. External SMA antenna connectors make it possible to attach desired antennas and easily find the best signal location.

The Wi-Fi is functional in both: Access point and Station mode at the same time.

- Supports 4G LTE data
- Creates a WiFi and Ethernet network to share the cellular connection with other devices (802.11 b/g/n)
- 4G (LTE-FDD): Band 4 and Band 13
- 1 x Digital input, 0 - 6 V detected as logic low, 8 - 30 V detected as logic high
- 1 Digital open collector output, max output 30 V, 300 mA
- 2 SMA for LTE, 1 RP-SMA for WiFi antenna connectors

KIT INCLUDES

MCS-WIRELESS MODEM-INT-B

- Din Rail mounting kit
- 9 W power supply
- 2 x LTE antennas (swivel, SMA male)
- 1 x WiFi antenna (swivel, RP-SMA male)
- 4G Mini Magnet-Mount Antenna
- 7ft CAT 5e Crossover Patch Cord, Orange
- USB-VPN Config File



(Standard Sim card NOT supplied)

Packaging

Ship Weight 2.50 lb (approx)
Box Dimensions..... 6" x 6" x 6" (approx)

Physical Specifications

Casing material Aluminium housing Dimensions (W x H x D) 3.27" x 1" x 2.91" (83 x 25 x 74 mm)
Weight 0.27lb (125 g)
Mounting options Bottom and sideways DIN rail

MOBILE

Mobile module 4G (LTE) – Cat 4 up to 150 Mbps
3G – Up to 42 Mbps
2G Up to 236.8 kbps

FREQUENCY

Europe, Middle East, Africa,... 4G (LTE-FDD): B1, B3, B7, B8
Korea, Thailand, Malaysia B20, B28A
3G: B1, B8 / 2G: B3, B8

WIRELESS

WiFi security WPA2-Enterprise - PEAP, WPA2-PSK, WEP, WPA-EAP, WPA-PSK; AES-CCMP, TKIP, SSID
Wireless Hotspot Captive portal (Hotspot)

ETHERNET

WAN 1 x WAN port (can be configured to LAN) 10/100 Mbps
LAN..... 1 x LAN port, 10/100 Mbps

CARRIERS

Sim Card (not supplied)..... AT&T and T-Mobile

NETWORK

Routing Static routing, Dynamic routing
Network protocols..... TCP, UDP, IPv4, IPv6
Firewall Port forward, traffic rules, custom rules
DHCP Static/dynamic IP allocation, DHCP Relay

SYSTEM CHARACTERISTICS

RAM..... 64 MB, DDR2
FLASH storage 16 MB, SPI Flash

POWER

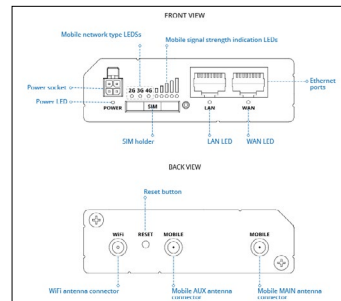
Connector 4 pin industrial DC power socket
Input voltage range..... 9 – 30 VDC
Power consumption < 6.5 W Max

OPERATING ENVIRONMENT

Operating temperature -40°F to 167°F (-40 C to 75 C)
Operating humidity 10 % to 90 % non-condensing
IP Rating..... IP30

REGULATORY & TYPE APPROVALS

Regulatory CE, FCC, EAC, RoHS



5580 Enterprise Pkwy., Fort Myers, FL 33905

Office: 239-694-0089 • Fax: 239-694-0031 www.mcscontrols.com