



MCS-12V-90W-B

Description & Specifications



MCS-12V-90W-B

Description

MCS-12V-90W-B power supply – output voltage of 12V DC and an output current of 7.5A.

Thanks to its high power density, the compact power supply offers the ideal solution for loads up to 90W, particularly in compact control panels. Its high degree of efficiency and low idling losses ensure a high level of energy efficiency.

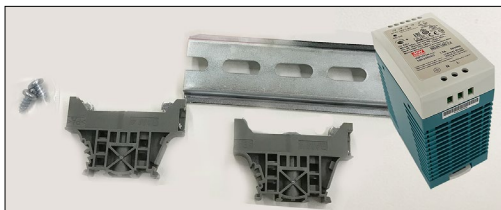
Features

- Universal AC input / 85 ~ 264V
- Protections: Short circuit / Overload / Over voltage / Over temperature
- Cooling by free air convection
- DC OK relay dry contact
- No load power consumption < 1W
- LED indicator for power

Packaging

Ship Weight 1.25lb (approx)
Box Dimensions..... 7 x 5.75 x 3 (approx)

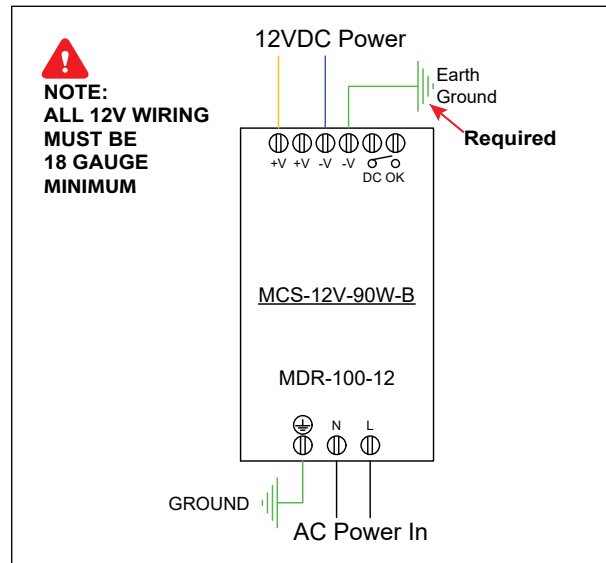
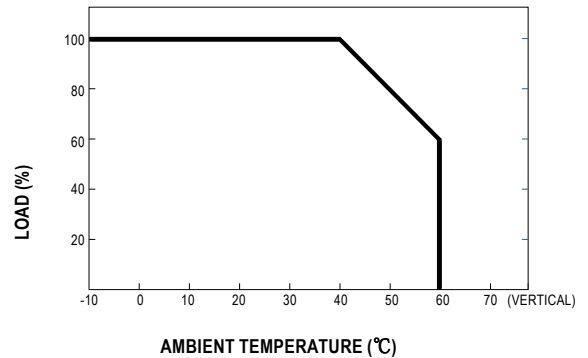
Includes Din Rail Mounting Kit



Specifications

Input Voltage range 85 VAC ~ 264 VAC
 AC frequency range..... 47 ~ 63Hz
 Output Rated Current 7.5A
 Output Rated Power 90W
 Output Voltage 12V
 Type of protection Shut down o/p voltage, re-power on to recover
 Working Temperature -14°F ~ 140°F (-10°C ~ 60°C)
 (refer to "Derating Curve below")
 90W - max ambient (104°F (40°C))
 Agency Approvals..... UL508, CE
 Size: 2.16 x 3.54" x 3.94 (W*H*D) 55*90*100mm
 Mounting position - Horizontal DIN rail

Derating Curve



Revision - 2024-01-10