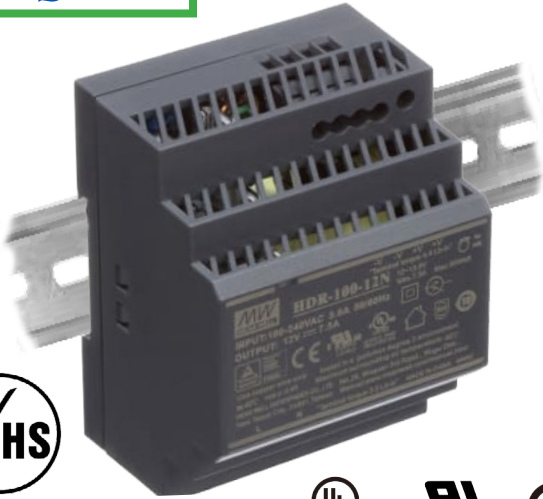




MCS-12V-90W

Description & Specifications

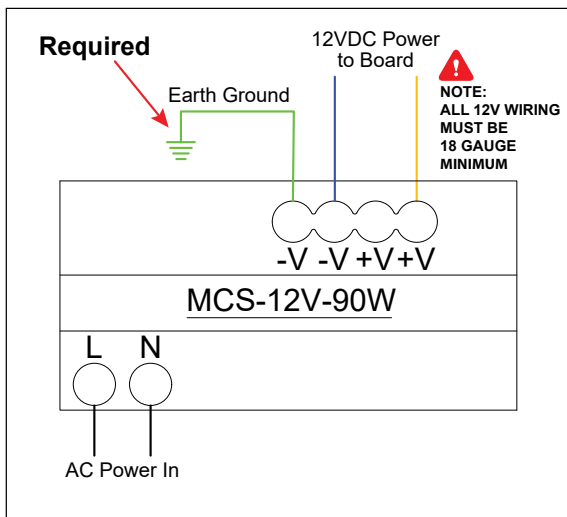


Description

The MCS-12V-90W is used to power MCS 12V products including the MCS-MAGNUM-N-12, 12V expansion boards and MCS touchscreens.

Features

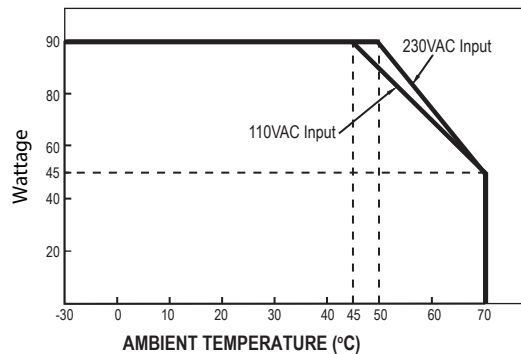
- Ultra slim design with 70mm (2.76") width
- Universal input 84~264VAC
- No load power consumption<0.3W
- Isolation class II
- DC output voltage adjustable
- Protections: Short circuit / Overload / Over voltage
- Cooling by free air convection (working temperature: -22°F~158°F (-30°C~+70°C))
- DIN rail mountable (included)
- Over voltage category III
- LED indicator for power on



Specifications

Size:	2.76" x 3.54" x 2.14 (W*H*D) (70*90*54.5mm)
Input Voltage	85-264VAC
Wiring 12V	18 gauge minimum
Output Rated Current	7.5A
Output Rated Power	90W
AC Current	3A/115VAC 1.6A/230VAC
Input Frequency	47Hz to 63Hz
Output Voltage	12VDC
Over Voltage	14.2-16.2V
Protection type	Shut down, over voltage/ Over current, Power on to recover
Output Voltage Tolerance	±2.0%
Working Temperature	-22°F~158°F (-30°C ~+70°C) (Refer to "Derating Curve" below) 90W on 110vac - Max Amb 45°C (104°F) 90W on 230vac - Max Amb 50°C (122°F)
Efficiency rating	88%
Type	Auto Switching
Agency Approvals	UL508/CUL/TUV/CE/CB

Derating Curve VS Ambient Temperature



Packaging

Ship Weight	1.25 lb
Box Dimensions	7 x 5.75 x 3(approx)

Includes Din Rail Mounting Kit

