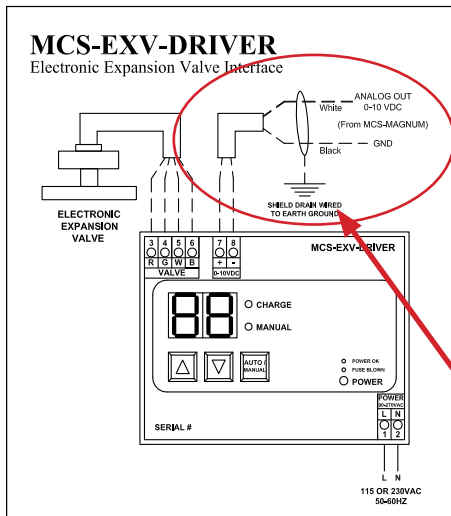
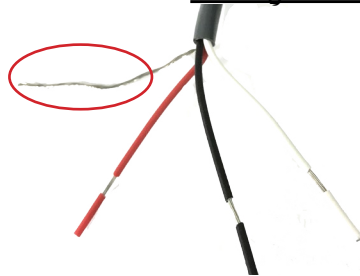




## **DRAIN SHIELD WIRE CONNECTED TO EARTH GROUND**

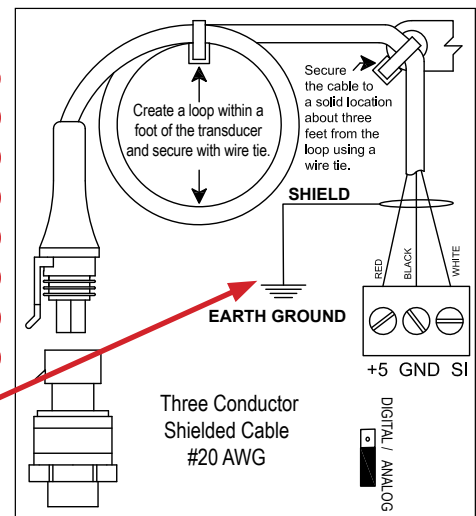
Using MCS products, digital or analog cabling, the drain shield in the supplied cable or customers supplied cable should always be connected to earth ground at one end only.

Drain Shield Wire

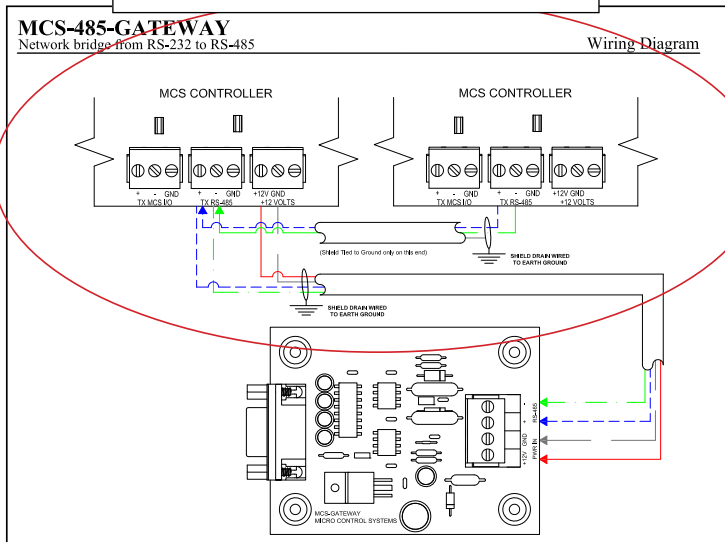


The drain wire permits a continuous, low-resistance connection to the cable's metallic shield, resulting in very effective grounding.

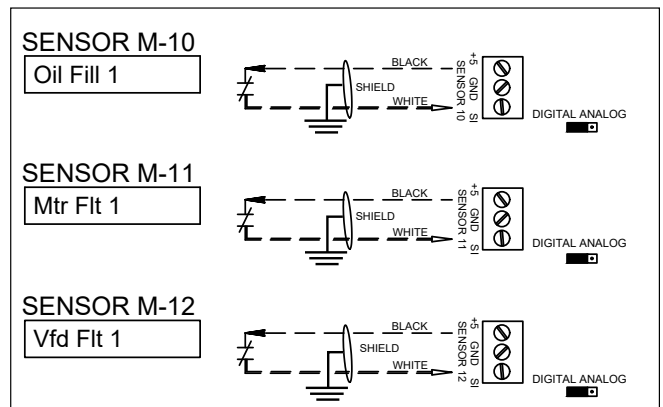
Example of Analog output Drain shield connected to Earth Ground



Example RS485 communication Drain shield connected to Earth Ground



## **DIGITAL EXAMPLES FOR DRAIN SHIELD WIRING**



**DO NOT CONNECT THE SHIELD DRAIN WIRE TO A MCS CONTROLLER OR SI EXPANSION BOARD  
 ALWAYS CONNECT SHIELD TO EARTH GROUND**