



Providing HVAC/R Control Solutions Worldwide

5580 Enterprise Pkwy., Fort Myers, FL 33905
Office: 239-694-0089 Fax: 239-694-0031
www.mcsccontrols.com

For Immediate Release

Product Update - MCS-12V-90W Wiring

OR CUSTOMER PROVIDED POWER SUPPLY

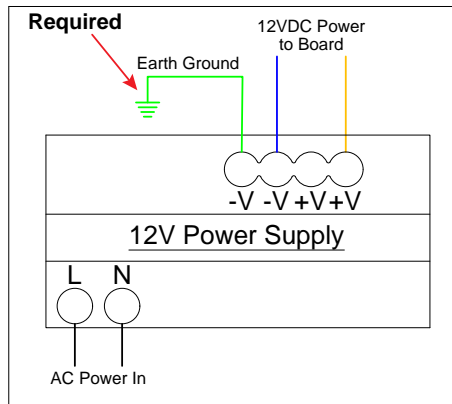


Please note this wiring change should be made to any 12VDC power supply providing power to a MCS 12v board.

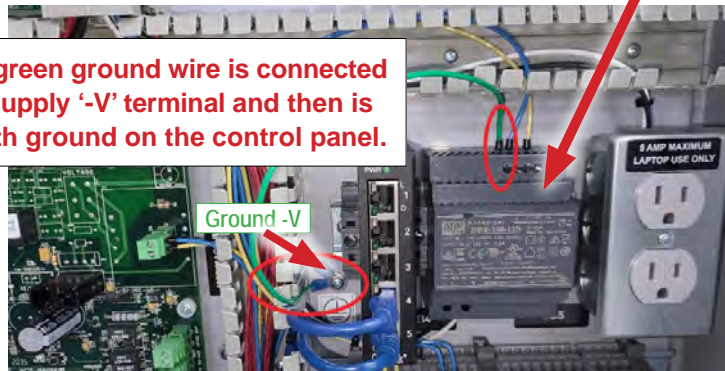
MCS has received several reports from job sites where the **sensor readings are bouncing or lost IO communications**.

These issues have been resolved by **connecting the negative 12vdc (-V) of the power supply output to chassis ground**.

Photo below shows the negative terminal on the **12vdc output (-V)** connected to chassis ground using a 16 awg green wire.



Make sure a 16 awg green ground wire is connected to the 12volt power supply '-V' terminal and then is connected to an earth ground on the control panel.



ALL POWER SUPPLIES NEED TO BE GROUNDED INCLUDING 24VAC TRANSFORMERS FOR EXV DRIVERS, ACTUATORS, ETC.