



Providing HVAC/R Control Solutions Worldwide

5580 Enterprise Pkwy., Fort Myers, FL 33905  
Office: 239-694-0089 Fax: 239-694-0031  
www.mcsccontrols.com

For Immediate Release

Rev. 07-10-2024

## Product Improvement Announcement

# MCS-12V-90W-B

The new **MCS-12V-90W-B** power supply will be shipping as supplies for the MCS-12V-90W are depleted.

After months of testing the MCS-12V-90W-B, we find that the product meets and exceeds our recommend usage for 12V products being shipped by MCS.

The MCS-12V-90W-B is used with the 12v MCS-MAGNUM and expansion boards, along with the MCS-Touchscreens.



**New**

**REPLACES**



MCS has announced that the current model shown, MCS-12V-90W will be discontinued after supply is depleted.

**MCS-12V-90W-B**

Size: 2.16 x 3.54" x 3.94 (W\*H\*D) 55\*90\*100mm  
Universal AC input / 85 ~ 264V  
Mounting position - Horizontal DIN rail  
Agency Approvals - UL508, CE

**MCS-12V-90W**

Size: 2.76" x 3.54" x 2.14 (W\*H\*D) (70\*90\*54.5mm)  
Universal AC input / 85 ~ 264V  
Mounting position - Horizontal DIN rail  
Agency Approvals - UL508, CE

**MCS-12V-90W-B** power supply – output voltage of 12VDC and an output current of 7.5A.

Thanks to its high power density, the compact power supply offers the ideal solution for loads up to 90W, particularly in compact control panels. Its high degree of efficiency and low idling losses ensure a high level of energy efficiency.

See Spec sheet on reverse for the new MCS-12V-90W-B power supply.



# MCS-12V-90W-B

## Description & Specifications



### MCS-12V-90W-B

#### Description

**MCS-12V-90W-B** power supply – output voltage of 12V DC and an output current of 7.5A.

Thanks to its high power density, the compact power supply offers the ideal solution for loads up to 90W, particularly in compact control panels. Its high degree of efficiency and low idling losses ensure a high level of energy efficiency.

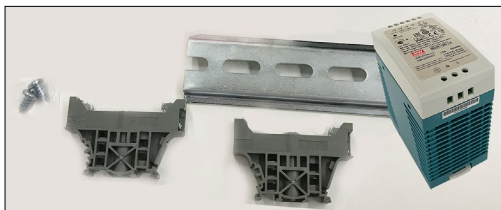
#### Features

- Universal AC input / 85 ~ 264V
- Protections: Short circuit / Overload / Over voltage / Over temperature
- Cooling by free air convection
- DC OK relay dry contact
- No load power consumption < 1W
- LED indicator for power

#### Packaging

Ship Weight ..... 1.25lb (approx)  
Box Dimensions..... 7 x 5.75 x 3 (approx)

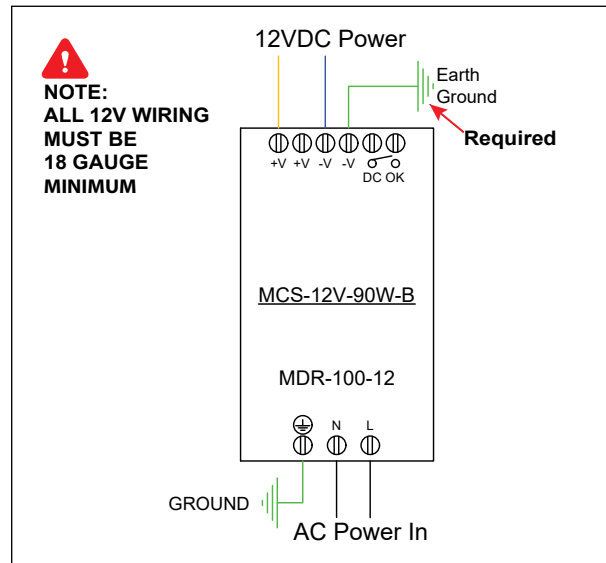
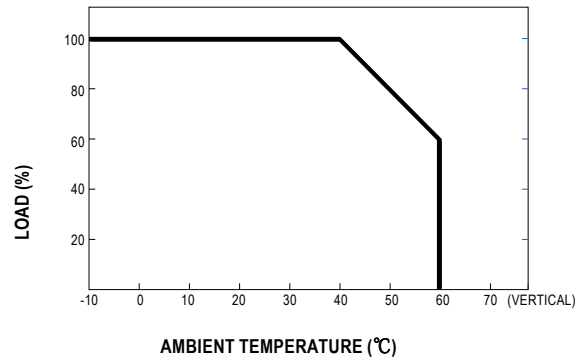
#### Includes Din Rail Mounting Kit



#### Specifications

Input Voltage range ..... 85 VAC ~ 264 VAC  
 AC frequency range..... 47 ~ 63Hz  
 Output Rated Current ..... 7.5A  
 Output Rated Power ..... 90W  
 Output Voltage ..... 12VDC  
 Type of protection ..... Shut down o/p voltage, re-power on to recover  
 Working Temperature ..... -14°F~140°F (-10°C~60°C)  
 (refer to "Derating Curve below")  
 90W - max ambient (104°F (40°C))  
 Agency Approvals..... UL508, CE  
 Size: 2.16 x 3.54" x 3.94 (W\*H\*D) 55\*90\*100mm  
 Mounting position - Horizontal DIN rail

#### Derating Curve



Revision - 2024-07-11