



5580 Enterprise Pkwy.
Fort Myers, FL 33905

Office: 239-694-0089
Fax: 239-694-0031

www.mcscontrols.com

BMS COMMUNICATION MCS-BMS-GATEWAY

For Interfacing MCS-MAGNUM to:

Building Automation Systems Protocols:

Modbus RTU, Ethernet

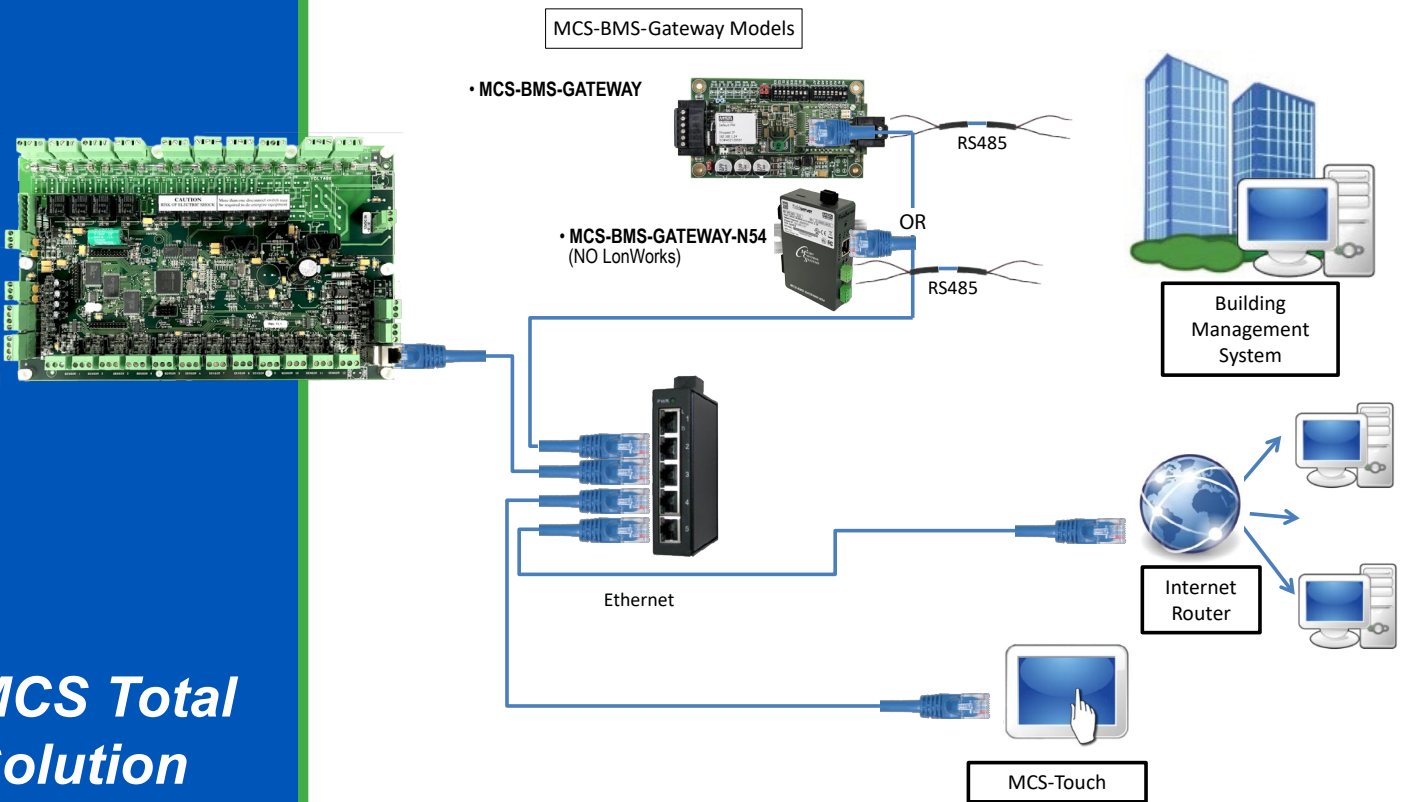
BACnet MS/TP, Johnson N2, LonWORKS

Modbus RTU to Modbus TCP/IP

Manual supports the following:

MCS-BMS-GATEWAY - see Chapter 7

MCS-BMS-GATEWAY-N54-see Chapter 10



**MCS Total
Solution
for all your
Control
Needs**



**Energy Efficient and
RoHS Compliant**

The MCS Commitment is to provide practical solutions for the industries needs and to be both a leader and partner in the effective use of microprocessor controls.

Micro Control Systems, Inc.
5580 Enterprise Parkway
Fort Myers, Florida 33905
PH:(239) 694-0089 FAX:(239) 694-0031
www.mcscontrols.com

All information contained within this document is considered to be proprietary information of Micro Control Systems, Inc. No information or data from this document shall be published, used, reproduced, transmitted, or disclosed to others outside your organization without the prior expressed written consent of Micro Control Systems, Inc. This document and the information contained herein shall be treated as proprietary. Reasonable provisions shall be provided to ensure that this information remains proprietary by your employees, agents, and other personnel that may have access to this document.

Copyright ©2023

Table of Contents

Chapter - 1. MCS-BMS-GATEWAYS	5
1.1. MCS-BMS-GATEWAY (Model with LonTALK)	5
1.1.1 LonTALK Protocol	5
1.2. MCS-BMS-GATEWAY-N54 (NO LonTALK)	5
Chapter - 2. WIRING MCS-BMS GATEWAY	6
2.1. WIRING BACnet IP OR MODBUS IP TO BMS OVER ETHERNET	6
2.2. WIRING for MCS-BMS-GATEWAY for BACnet MSTP, Johnson N2, or LonTalk to BMS	7
2.3. EXAMPLE NETWORK	8
2.3.1 Standalone MCS-Magnum (using Modbus RTU Protocol)	8
Chapter - 3. MCS-CONFIG-RS485 & ETHERNET COMMUNICATION	9
3.1. Setting up Communication in MCS-CONFIG - RS485 or ETHERNET	9
3.2. Setting ETHERNET to Communicate to a BMS System	9
3.3. Understanding the BMS setup in MCS-CONFIG for Points	10
3.4. Viewing and printing a list of the Modbus IP/RTU Registers)	10
3.5. Print Report from the MCS-CONFIG BMS COMMUNICATION SCREEN	11
Chapter - 4. SETUP PROTOCOLS IN MCS-CONNECT	12
4.1. MCS-MAGNUM BMS PROTOCOL (Modbus TCP/IP)	12
4.1.1 Communication to MCS-MAGNUM over Ethernet (MODBUS RTU)	12
4.1.2 ETHERNET OVER (MODBUS RTU) PROTOCOL	13
4.2. MCS-BMS-GATEWAY PROTOCOLS	14
4.2.1 Protocols MCS controllers support:	14
Chapter - 5. MCS-BMS-GATEWAY FIELDSEVER TOOLBOX	15
Chapter - 6. Setup-MCS-BMS-GATEWAY	18
6.1. Record Identification Data	18
6.2. Configuring Device Communications	18
6.2.1 Set COM settings on all Devices Connected to the MCS-BMS-GATEWAY	18
6.2.2 Set IP Address for each MCS-MAGNUM connected to the MCS-BMS-GATEWAY	18
6.3. BMS Network Settings:	19
6.3.1 BACnet MS/TP, N2 and Modbus IP / RTU	19
Figure 5 Protocol Selection Switch Tables	19
6.3.2 BACnet MS/TP: Setting the MAC Address for BMS Network	20
6.3.3 BACnet MS/TP and BACnet/IP: Setting the Device Instance	20
6.3.4 Johnson N2: Setting the Node-ID	20
6.3.5 BACnet MS/TP: Setting the Serial Baud Rate for BMS Network	20
6.3.5.1. Baud Rate DIP Switch Selection	21
Chapter - 7. Interfacing MCS-BMS-GATEWAY	22
7.1. MCS-BMS-GATEWAY Connection Ports	22
7.2. Device Connections to MCS-BMS-GATEWAY	23
7.3. MCS-MAGNUM Address Settings	23
7.4. Biasing the RS-485 Device Network	26
7.5. End of Line Termination Switch for the Modbus RS-485 Device Network	26
7.6. Power-Up MCS-BMS-GATEWAY	26
Chapter - 8. BMS-GATEWAY SWITCH SETTINGS	28
8.1. BMS Address DIP Switch Settings	28
Chapter - 9. Installing the MCS-BMS-GATEWAY-N54	34
9.1. Termination Resistor	34
9.2. Connecting the R1 & R2 Ports	34
9.3. Wiring	35
9.4. Power up the MCS-BMS-GATEWAY-N54	35
9.5. Connect the PC to the MCS-BMS-GATEWAY-N54	36
9.5.1 Connecting to the Gateway via Ethernet	36
9.5.2 Changing the Subnet of the Connected PC	36
9.6. Navigate to the ProtoNode Login Page	37

9.7.	Setup Web Server Security	37
9.7.1	Login to the FieldServer.....	37
9.8.	Select the Security Mode.....	39
9.9.	HTTPS with Own Trusted TLS Certificate	39
Chapter - 10.	APPENDIX - INPUT / OUTPUT POINTS / STATES	40
10.1.	Sensor Input Points	40
10.2.	Relay Output Points.....	41
10.3.	ANALOG Output Points.....	42
10.4.	Setpoints.....	42
10.5.	Chiller/Compressor States.....	42
10.6.	Other Points.....	43
10.7.	Network inputs to MCS-MAGNUM	46
10.8.	MCS Capacity Control State Chart.....	47
10.9.	MCS Compressor Control State Chart	47
Chapter - 11.	ALARMS- UNIT/COMPRESSOR / MODBUS	48
11.1.	Unit Alarms	48
11.2.	Compressor Alarms	49
11.3.	MODBUS Alarms.....	51
Chapter - 12.	APP085 USING MCS-CONFIG	56

Chapter - 1. MCS-BMS-GATEWAYS

The MCS-BMS-GATEWAY is a microprocessor based communication device that provides protocol translation from difference protocols. Information that can be transmitted includes the status of control points, alarm information, digital inputs, analog inputs or setpoints.

The MCS-BMS-GATEWAY protocol is field selectable by setting jumper on the device.

Using MCS-CONFIG and the CONFIG file for the MCS-MAGNUM, you can automatically create the program that is required by the MCS-BMS-GATEWAY. Then using a web browser you can download the program into the unit.

The MCS-BMS-GATEWAY can receive changes from the network to enable or disable the Network Run/Stop indicator. Adjustments can also be made to the Cooling Target (Setpoint #1) of a MCS-MAGNUM.

MCS is currently shipping 2 difference MCS-BMS-GATEWAYS

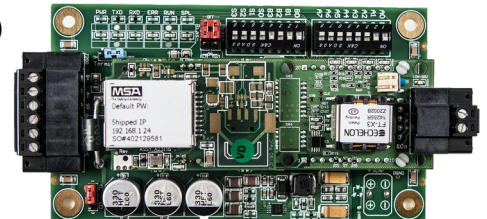
• MCS-BMS-GATEWAY, USE CHAPTER 4~6 FOR INSTALLATION



1.1. MCS-BMS-GATEWAY (Model with LonTALK)

Supports: BACnet® MS/TP, JohnsonN2®, LonWORKS®, Modbus IP to RTU and Modbus RTU to BACnet IP.

Communication Rate9600, 19200, 38400, 57600,76800, 115000



1.1.1 LonTALK Protocol

When the MCS-BMS-GATEWAY is setup for LonTALK, it is capable of being configured by Network Management Tools such as LonMaker. For binding (implicit mode), a Network Management Tool is necessary to create the bindings.

It is possible to place a MCS-BMS-GATEWAY into a Network for explicit communications without using a Network Management Tool, but this requires intimate knowledge of the network in question.

The external interface file (.XIF) for the MCS-BMS-GATEWAY can be uploaded from the MCS-BMS-GATEWAY for the particular application. The MCS-BMS-GATEWAY differs from most other LonWORKS devices in that its XIF file is not fixed due to varying applications.

• MCS-BMS-GATEWAY-N54 USE CHAPTER 7 FOR INSTALLATION



1.2. MCS-BMS-GATEWAY-N54 (NO LonTALK)

Supports: BACnet®1 MS/TP, Johnson N2®, and Modbus IP to RTU.

Communication Rate 9600, 19200, 38400, 57600,76800, 115000

Features and Benefits:

- Ethernet
- RS-485 & RS-232
- On-board diagnostics allow easy troubleshooting for both serial and Ethernet communications.
- One MCS-BMS-GATEWAY-N54 connects multiple Serial and Ethernet devices.
- Supports up to 10,000 device points.
- Can support OEM proprietary protocols to building management systems.

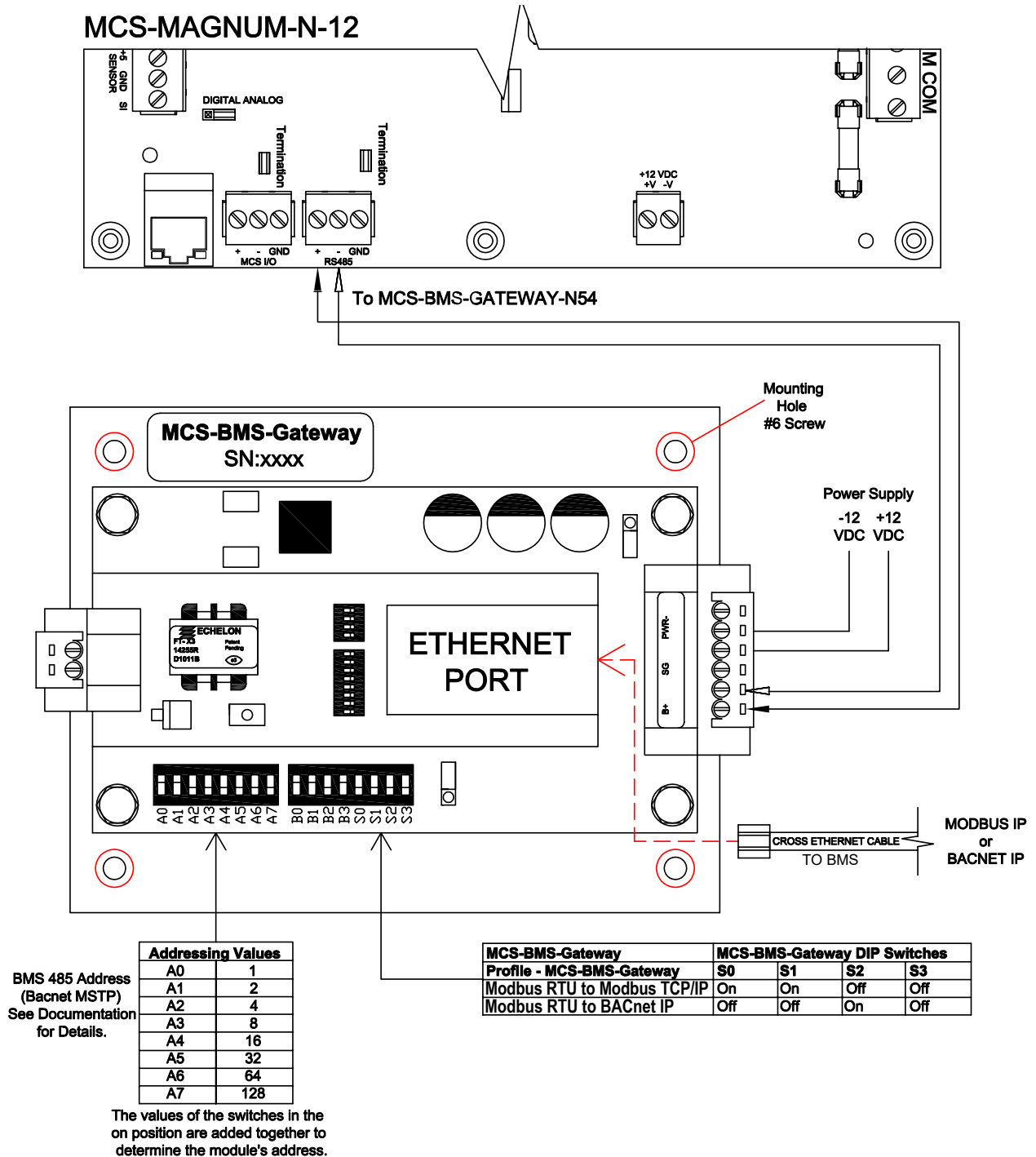


Chapter - 2. WIRING MCS-BMS GATEWAY

2.1. WIRING BACnet IP OR MODBUS IP TO BMS OVER ETHERNET

In this configuration the MCS-BMS-GATEWAY provides Ethernet RJ45 Cat5 connection to the BMS using BACnet IP or Modbus IP.

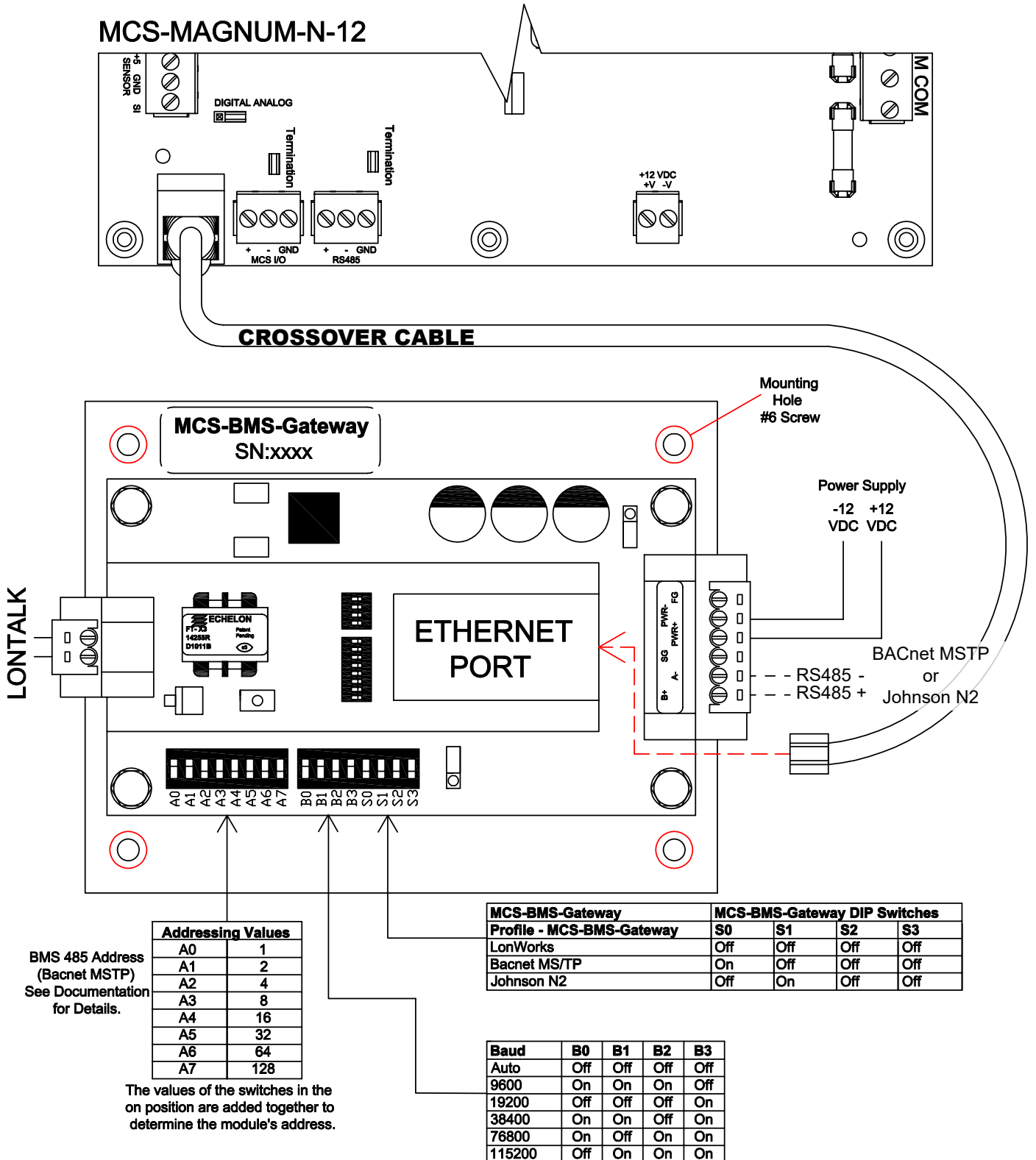
The MCS-BMS-GATEWAY in this configuration connects to the MCS-MAGNUM RS485 port, using MODBUS RTU protocol with baud rate of 9600, Modbus slave 1.



2.2. WIRING for MCS-BMS-GATEWAY for BACnet MSTP, Johnson N2, or LonTalk to BMS

In this configuration the MCS-BMS-GATEWAY provides a RX485 port for BACnet MSTP or Johnson N2 and uses the port for LonTalk as shown in the drawing below.

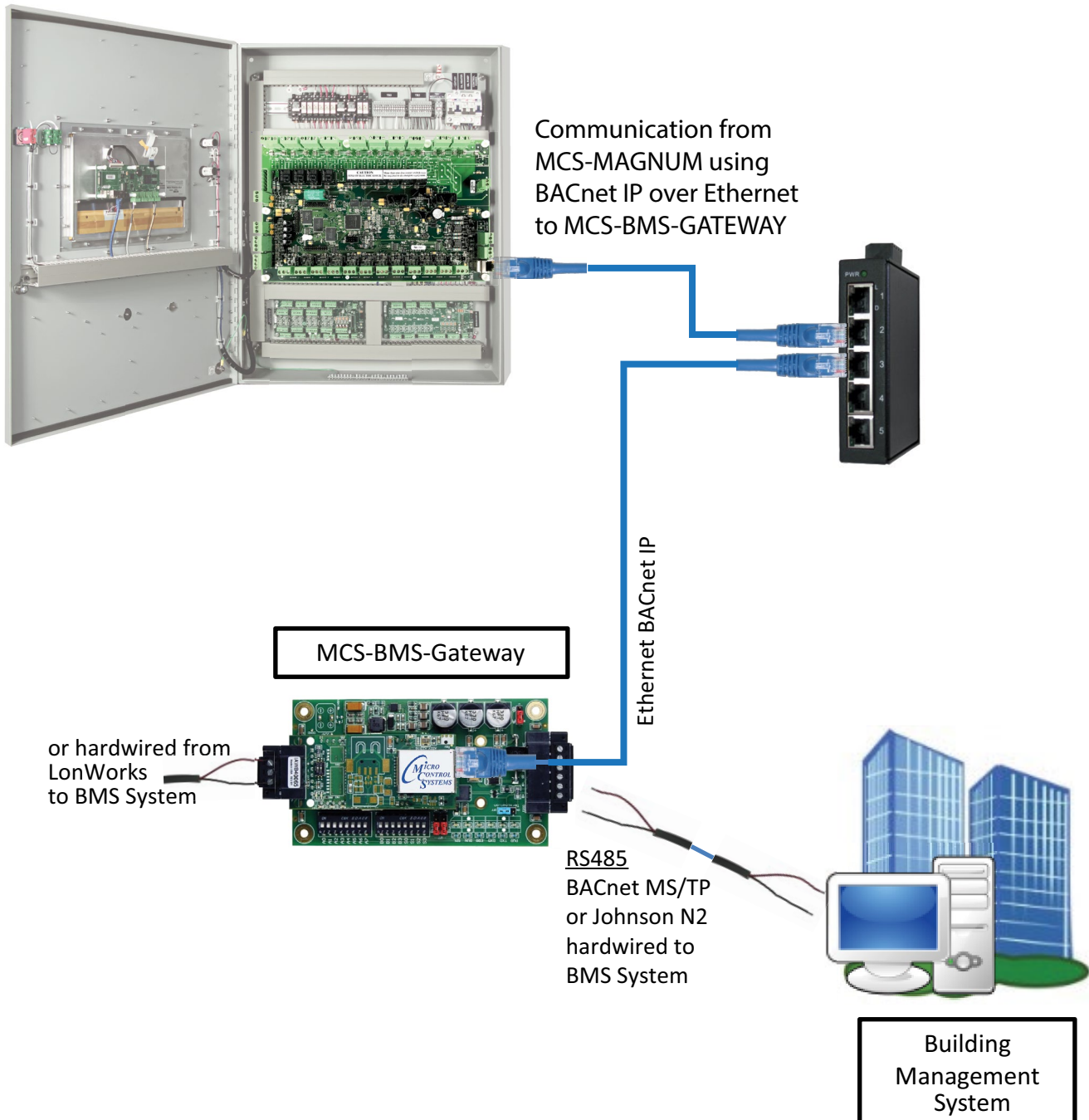
The MCS-BMS-GATEWAY in this configuration connects to the MCS-MAGNUM using a Ethernet RJ45 Cat5 connection talking BACnet IP.



2.3. EXAMPLE NETWORK

2.3.1 Standalone MCS-Magnum (using Modbus RTU Protocol)

- MCS INDUSTRIAL CONTROL PANEL with a MCS-MAGNUM controller using an Ethernet cable to communicate to the MCS-BMS-GATEWAY over BACnet IP.
- MCS-BMS-GATEWAY hardwired to BMS Management System using:
 1. BACnet MS/TP protocol or
 2. Johnston N2 protocol or
 3. LonTalk protocol using the LonWorks port



Chapter - 3. MCS-CONFIG-RS485 & ETHERNET COMMUNICATION

3.1. Setting up Communication in MCS-CONFIG - RS485 or ETHERNET

The examples below show how MCS-CONFIG is setup to communicate to the BMS System.

The MCS-MAGNUM RS485 uses the following protocols for communicating to a BMS system:

- **MODBUS RTU**

The following settings need to be made in your config file:

1. MCS System Address: (this number changes depending on the number of Modbus Slaves)
2. Protocol Type: MODBUS RTU (MCS, CPM)
3. Baud Rate: 9600
4. Modbus Slave Address (this number changes depending on the number of Modbus Slaves)

The MCS-Magnum Modbus RTU protocol setting allow you to specify the Modbus Slave address plus the following Baud rates are supported: 4800, 9600, 19200, 38400, 57600.

The screenshot displays the configuration interface for MCS-CONFIG, divided into two main sections: RS485 Communication and Ethernet Communication.

RS485 Communication:

- MCS System Address: 1 (with left and right arrow buttons)
- Protocol Type: MODBUS RTU (dropdown menu)
- Baud Rate: 9600 (dropdown menu)
- Modbus Slave Address: 1 (text input field)
- Disable Alarm Grid Pop-Up In MCS-Connect?: Yes (radio button), No (radio button)

Ethernet Communication:

- Static IP (selected radio button) / Dynamic IP (radio button)
- IP Address: 192, 168, 18, 101 (four separate input fields)
- Subnet Mask: 255, 255, 255, 0 (four separate input fields)
- Default Gateway: 192, 168, 18, 1 (four separate input fields)
- MCS IP Port: 5001 (text input field)
- BACnet Device ID: 181, 02 (two separate input fields)
- BACnet Port: 47, 808 (two separate input fields)
- Extended BACnet Device ID: (text input field)
- Hardcoded Port Numbers: Modbus Port = 502, Website Port = 80
- Used In 9.11 to Present MAG-So: (text input field)
- BACnet MV Values Start At: Zero (radio button), One (radio button)

3.2. Setting ETHERNET to Communicate to a BMS System

- **STATIC IP or DYNAMIC IP**

The following settings need to be made in your MCS-CONFIG file (if using Static IP)

1. IP Address (must be the same address as the MCS Controller)
2. Subnet Address (must be the same address as the MCS Controller)
3. Default Gateway (must be the same address as the MCS Controller)
4. MCS IP Port (setup by MCS or OEM)
5. BACnet Device ID (MCS vendor ID (181), id number used for communicating to BACnet IP)

3.3. Understanding the BMS setup in MCS-CONFIG for Points

The number of data bit is 8, stop bit is 1 and parity is none (these parameter are not adjustable).

The sensors inputs are 16 bit signed values. (Read input Registers, Function code = 4)

- The Analog sensor inputs values typically have 1 assumed decimal place, meaning a value of 12.3 will be transmitted as value 123. The # of decimal point depending on the sensor type define in the MCS-MAGNUM CONFIG. Most sensor types are 1 decimal place.

But take care there are a few 2 decimal and a few zero decimal place types.

The BMS point list has a column which indicates how many assumed decimal are contained in the value.

- The digital sensor inputs values will be 0 or 1, 0 = off and 1 = on.

The analog outputs are 16 bit signed values. (Read Input Registers, Function code = 4)

- The analog output have 1 assumed decimal place, meaning a value of 12.3 will be transmitted as value 123.

The relay outputs are 16 bit packed values. (Read Coil Status , Function code = 1)

- Each bit within the 16 bits can contains a relay output. A bit value of 0 = relay off, 1 = relay on.

The number of packed bit depends on the requesting Modbus message.

If only one coil is asked for, then only bit 0 will contains a relay status value and bit 1 thru 7 are do not care.

If two relays are asked for, then bit 0 and bit 1 will contains values and bit 2 thru 7 are do not care.

The setpoints are 16 bit signed values. (Read Holding Registers, Function code = 3)

- The setpoints values typically have 1 assumed decimal place, meaning a value of 12.3 will be transmitted as value 123.

The # of decimal point depending on the setpoint type defined in the MCS-MAGNUM CONFIG.

3.4. Viewing and printing a list of the Modbus IP/RTU Registers):

Below shows a part of the MCS-CONFIG BMS points screen.

The screenshot shows the 'BMS Communication Protocols' section of the MCS-CONFIG interface. Under 'Sensor Input Status', there is a table titled 'POINT MAPPING INFO BUILT IN MCS-MAGNUM'. The table has six columns: PT, Name, Object ID, Name, Register, and # Assumed Dec. A red box highlights the 'Register' and '# Assumed Dec' columns. The table contains 15 rows of data, with the last row (M15) partially cut off.

PT	Name	Object ID	Name	Register	# Assumed Dec
M-1	ChiWtr In	AI:1	ChiWtr In	30001	1
M-2	ChiWtrOut	AI:2	ChiWtrOut	30002	1
M-3	SUCT PSI 1	AI:3	SUCT PSI 1	30003	1
M-4	DISC PSI 1	AI:4	DISC PSI 1	30004	1
M-5	OIL PSI 1	AI:5	OIL PSI 1	30005	1
M-6	AMPS 1	AI:6	AMPS 1	30006	1
M-7	SUCT TMP 1	AI:7	SUCT TMP 1	30007	1
M-8	DISC TMP 1	AI:8	DISC TMP 1	30008	1
M-9	MTR TMP 1	AI:9	MTR TMP 1	30009	1
M10	MTR FLT 1	AI:10	MTR FLT 1	30010	0
M11	OIL LVL 1	AI:11	OIL LVL 1	30011	0
M12	DISABLE 1	AI:12	DISABLE 1	30012	0
M13	CHW FLOW	AI:13	CHW FLOW	30013	0
M14	PHASELOSS	AI:14	PHASELOSS	30014	0
M15	RUN/STOP	AI:15	RUN/STOP	30015	0

3.5. Print Report from the MCS-CONFIG BMS COMMUNICATION SCREEN

1. Click on 'FILE' or the printer 'ICON' on the top of the screen.

Select the information you would like a printed report of MCS JOB

Select All

<input type="checkbox"/> Cover Sheet <input type="checkbox"/> System Information <input type="checkbox"/> Setup Information <input type="checkbox"/> Output and Input Summary Information <input type="checkbox"/> Relay Output Detailed Information <input type="checkbox"/> Sensor Input Detailed Information <input type="checkbox"/> Analog Output Detailed Information <input type="checkbox"/> Magnum Refrigeration Info <input type="checkbox"/> Setpoint Information <input type="checkbox"/> Authorization Information <input type="checkbox"/> Schedule Information	<input type="checkbox"/> User Logic AO Information <input type="checkbox"/> User Logic RO Information <input type="checkbox"/> User Logic SI Information <input checked="" type="checkbox"/> BMS Points Built Into MCS-Magnum <input type="checkbox"/> BMS Points w/MCS-BMS-GATEWAY <input type="checkbox"/> Unit & Compressor State Charts <input type="checkbox"/> Lookup Table <input type="checkbox"/> Lookup Table SI <input type="checkbox"/> Lookup Table AO <input type="checkbox"/> Modbus Write AO
---	---

Unselect All

Print

Cancel

2. Choose the report you need, in this case we want to see the BMS Points Built Into MCS-MAGNUM.

C:\DESKTOP\EXAMPLES\CFG\EXAMPLES\TRAINING CLASS-V17\V17 INSTRUCTOR TRAINING CLASS_Rev_A.cfp
 CONFIG DATE = 9/29/17 at 11:56 AM PRINT DATE = 1/25/23 08:55 AM

BMS Points SI Grid Information

POINT MAPPING INFO BUILT IN MCS-MAGNUM

MCS-MAGNUM	BACNET ID		MODBUS IP & RTU		
PT # Name	Object ID	Name	Register	# Assumed Dec	
M-1	ChilWtr In	AI:1	ChilWtr In	30001	1
M-2	ChilWtrOut	AI:2	ChilWtrOut	30002	1
M-3	SUCT PSI 1	AI:3	SUCT PSI 1	30003	1
M-4	DISC PSI 1	AI:4	DISC PSI 1	30004	1
M-5	OIL PSI 1	AI:5	OIL PSI 1	30005	1
M-6	AMPS 1	AI:6	AMPS 1	30006	1
M-7	SUCT TMP 1	AI:7	SUCT TMP 1	30007	1
M-8	DISC TMP 1	AI:8	DISC TMP 1	30008	1
M-9	MTR TMP 1	AI:9	MTR TMP 1	30009	1
M10	MTR FLT 1	AI:10	MTR FLT 1	30010	0
M11	OIL LVL 1	AI:11	OIL LVL 1	30011	0
		AI:12	DISABLE 1	30012	0
		AI:13	CHW FLOW	30013	0
		AI:14	PHASELOSS	30014	0
		AI:15	RUN/STOP	30015	0
		AI:16	EMG/STOP	30016	0
		AI:17	SUCT PSI 2	30017	1
		AI:18	DISC PSI 2	30018	1
		AI:19	OIL PSI 2	30019	1
		AI:20	AMPS 2	30020	1
		AI:21	SUCT TMP 2	30021	1
		AI:22	DISC TMP 2	30022	1
		AI:23	MTR TMP 2	30023	1
		AI:24	MTR FLT 2	30024	0
		AI:25	OIL LVL 2	30025	0
		AI:26	DISABLE 2	30026	0
		AI:27	LIQ PSI 1	30027	1
		AI:28	LIQ TMP 1	30028	1
		AI:29	LIQ PSI 2	30029	1
		AI:30	LIQ TMP 2	30030	1
		AI:31	PmpPsi In	30031	1
		AI:32	PmpPsiOut	30032	1
		AI:33	SUBCOOL 1	30033	1
		AI:34	SUBCOOL 2	30034	1
		AI:35	KW/TON	30035	1
		AI:36	UNIT KW	30036	1
		AI:37	UNIT TONS	30037	0
		AI:38	CHW DIFF	30038	1
		AI:39	UNIT GPM	30039	0
		AI:40	PowerFactr	30040	2
		AI:41	UNIT VOLTS	30041	1

Example showing
BMS Points from MCS-MAGNUM
The report will require a number of pages
depending on your config and the number
of points

BMS Points RO Grid Information

POINT MAPPING INFO BUILT IN MCS-MAGNUM

MCS-MAGNUM	BACNET ID		MODBUS IP & RTU		
PT # Name	Object ID	Name	Register	# Assumed Dec	
M-1	COMP 1	BO:1	COMP 1	00001	0
M-2	LOAD 1	BO:2	LOAD 1	00002	0
M-3	UNLOAD 1	BO:3	UNLOAD 1	00003	0
M-4	STRT UNLD1	BO:4	STRT UNLD1	00004	0
M-5	LLS 1	BO:5	LLS 1	00005	0
M-6	CHMBR INJ1	BO:6	CHMBR INJ1	00006	0
M-7	MOTOR INJ1	BO:7	MOTOR INJ1	00007	0
M-8	CND FAN1-1	BO:8	CND FAN1-1	00008	0
M-9	WARNING	BO:9	WARNING	00009	0
M10	ALARM	BO:10	ALARM	00010	0

Chapter - 4. SETUP PROTOCOLS IN MCS-CONNECT

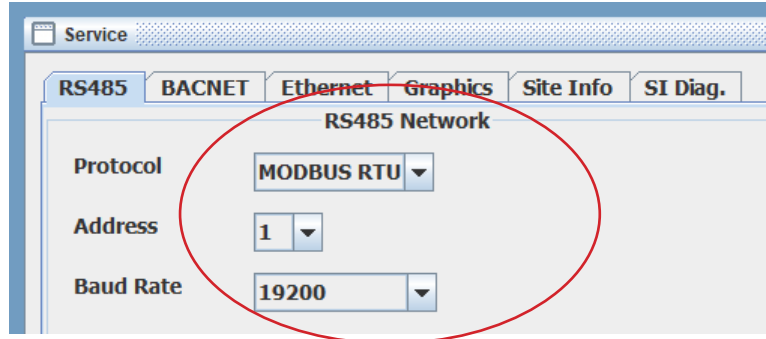
4.1. MCS-MAGNUM BMS PROTOCOL (Modbus TCP/IP)

Modbus TCP/IP is simply the Modbus RTU protocol with a TCP interface that runs on Ethernet.

The **MCS-MAGNUM-12** includes the integration of Modbus RTU communication protocol, which is based on the master-slave architecture for data transfer over RS485 to a BMS system.

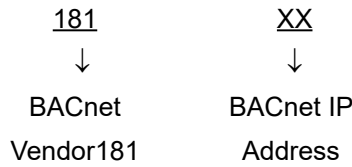
Changes can be made to the settings (if authorized) using the Keypad or can be made using MCS-CONNECT SERVICE WINDOW.

MCS-CONNECT
SERVICE WINDOW
RS485 SETUP



4.1.1 Communication to MCS-MAGNUM over Ethernet (MODBUS RTU)

For communication over Ethernet the MCS-MAGNUM uses a five-digit number for DEVICE ID. The first three digits are based on MCS's BACnet Vendor ID 181, and the last two are set by the BACnet/MS/TP address.



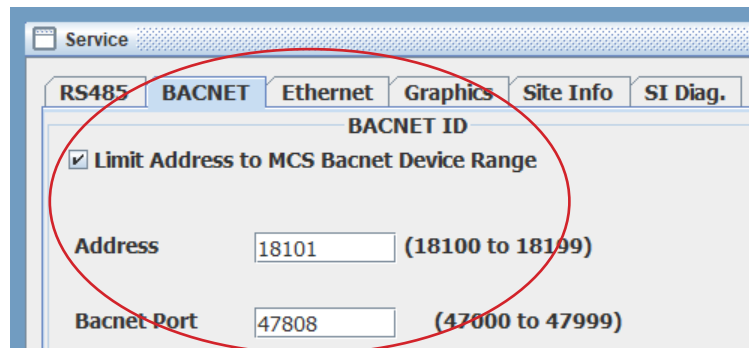
In case the end user would like to set up an BACnet Device ID other than 181-XX, there is an CUSTOM (extended) BACnet setting that can only be set in MCS Config.

The following changes can be made using the Keypad or can be made using MCS-CONNECT SERVICE WINDOW.

The **BACnet IP** address can be verified and changed (if authorized) from the Keypad/LCD. The following steps will display the BACnet IP Network address, and the TCP/IP port:

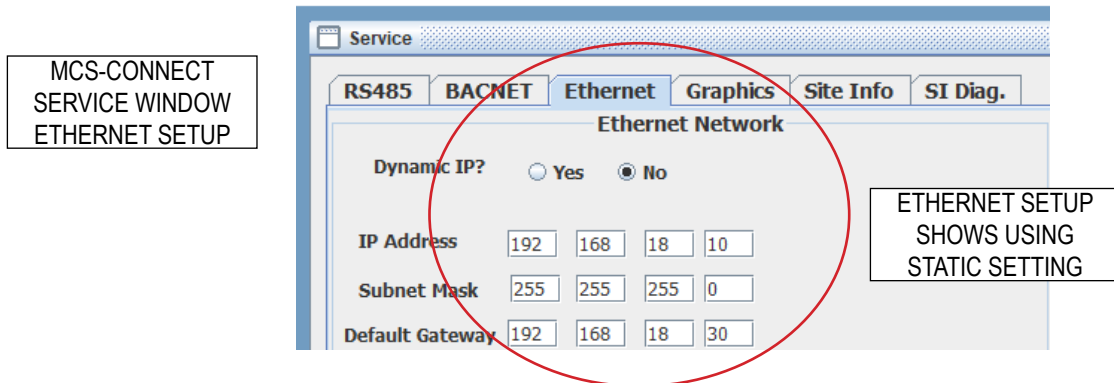
- Press the Menu key, select Serv Tools, and then press the Enter key.
- Use **↑** arrow to **BACnet Setting** then press Enter.
- Select address then press Enter. Change the address so it matches the last two digits of the device ID then press Enter.
- Use **↓** arrow to tab to the TCP/IP address.
- Select address then press Enter. Change the address and port to match your device.

MCS-CONNECT
SERVICE WINDOW
BACNET SETUP



4.1.2 ETHERNET OVER (MODBUS RTU) PROTOCOL

The following steps will display the **ETHERNET NETWORK** settings:



If you are going to manually assign the IP Address, Subnet Mask, and Default Gateway.

- Press the Menu key, select Serv Tools, and then press the Enter key.
- Select Ethernet Network then press Enter.
- Set "DYNAMIC IP" to NO.
- Set the "IP Address".
- Set the "Subnet Mask".
- Set "Default Gateway".
- Reset Magnum for change to take effect.

If you are going to let your network assign the IP Address, Subnet Mask, and Default Gateway:

- Press the Menu key, select Serv Tools, and then press the Enter key.
- Select Ethernet Network then press Enter.
- Set "DYNAMIC IP" to YES.
- Connect the MCS-Magnum to the network and power up the board.

4.2. MCS-BMS-GATEWAY PROTOCOLS

- BACnet MSTP
- Johnson N2
- Modbus TCP/IP
- BACnet IP
- LonTalk

The MCS-BMS-GATEWAY is a microprocessor based communication device that enables MCS equipment to connect to various industrial, building, and machine automation protocols.

Information that can be transmitted includes the status of control points, alarm information, digital inputs, analog inputs or setpoints.

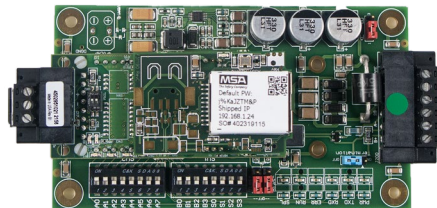
Network protocols are formatting rules that specify how data is sent and received between devices. Protocols are necessary for devices to interact with each other.

4.2.1 Protocols MCS controllers support:



MCS Network Protocol Support		
	MAGNUM	MicroMag
BACnet IP	MCS-BMS-Gateway	MCS-Bacnet-Router2
Modbus IP	MCS-BMS-Gateway	MCS-BMS-Gateway
MCS IP	✓	MCS-Ethernet-RS485
Modbus RTU	✓	✓
MCS 485	✓	✓
BACnet MS/TP	MCS-BMS-Gateway	✓
Johnson N2	MCS-BMS-Gateway	MCS-BMS-Gateway
LonTalk	MCS-BMS-Gateway	MCS-BMS-Gateway

Chapter - 5. MCS-BMS-GATEWAY FIELDSEVER TOOLBOX



Revision: 2.A

The latest update to the user interface utility called FieldServer Toolbox has been introduced. This updated utility is available on the web for all FieldServer Gateways and enables users to easily:

1. Search the local network for any connected FieldServers.
2. Select the FieldServer and launch either the current user-friendly browser-based interface to help set-up, configure and diagnose the FieldServer.

NOTE: The ProtoCast gateway is not supported by the FS Toolbox. For gateways updated with FieldSafe, diagnostic captures cannot be taken with the FieldServer Toolbox but has been integrated into the FS-GUI configuration page.

The following information is viewable for connected FieldServers found by the FieldServer Toolbox:

DEVICES – Lists the device name.

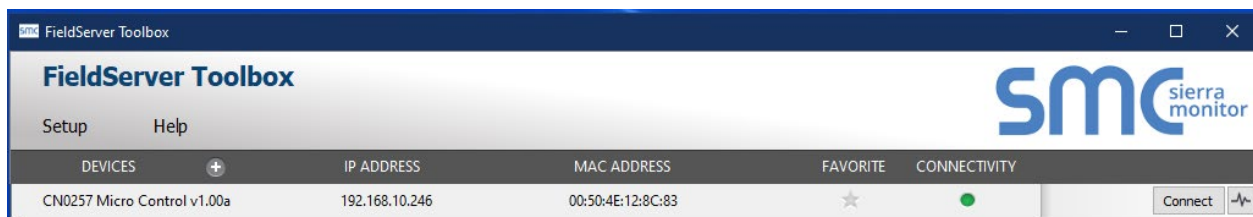
IP ADDRESS – Shows the IP Address of the listed device.

MAC ADDRESS – Shows the MAC Address of the listed device.

FAVORITE – Click to mark this as a favorite device. The device information will show whether the device is found or not.

CONNECTIVITY – The light shows the level of connectivity for the device. Green is full connectivity. Yellow is limited connectivity. Blue is limited IP connectivity. And red is connectivity lost.

BUTTONS – These buttons allow multiple functions. The Connect button jumping straight into a device's FS-GUI or Web Configuration page via default Internet browser. The Heartbeat button allows taking diagnostics for the device.



NOTE: For detailed descriptions on any of these items or additional information check the help menu.

Download the MCS-BMS-GATEWAY - FS Toolbox at:

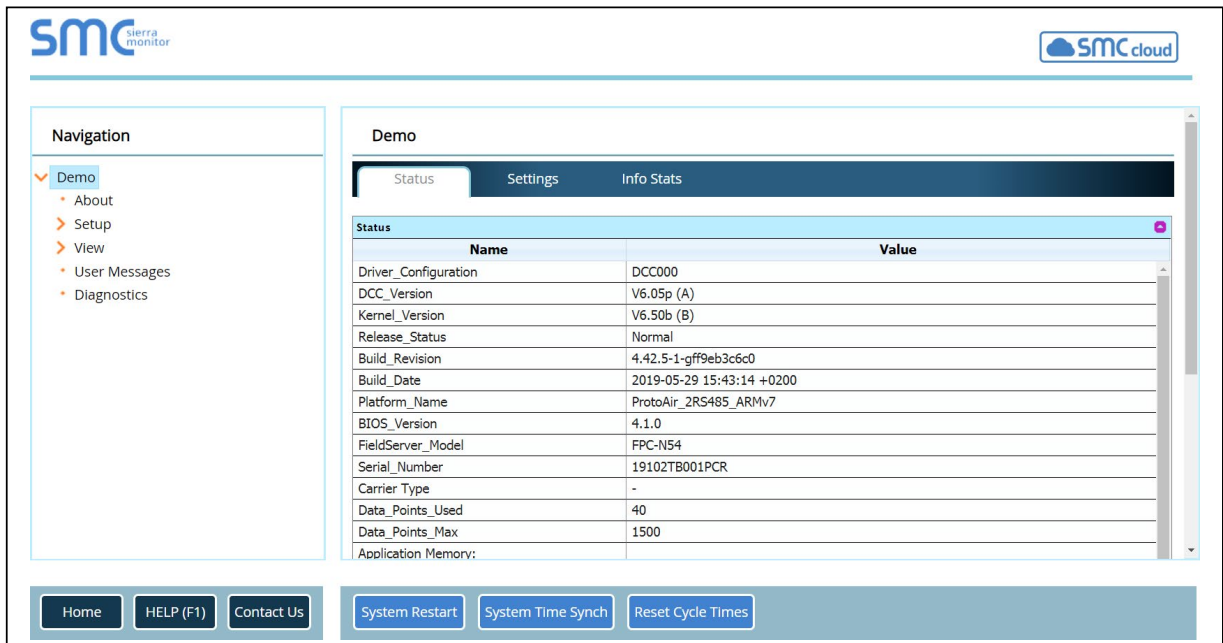
<https://mcscontrols.com/communications.html> - "FieldServer Toolbox-1.08aC-Setup.exe"

FieldServer Graphical User Interface (FS-GUI)

FieldServer Gateways come with the web-based FS-GUI making it easy to check the status, configure and diagnose your FieldServer. Information such as network settings, node information, map descriptors, and transfer of files. The web browser interface can even be set up with your own logo and background if desired.

Each of the pages on the FS-GUI includes specific FieldServer information and features described below.

NOTE: Click the Help button at the bottom of any page to view the Keyboard Shortcut and General Navigation list.



Allows the user to check the status of the FieldServer gateway, including the configuration code, version, memory, gateway type and more. Under “Settings” the user has access to important network information.

NOTE: The “System Restart” button at the bottom of the page is used to restart the FieldServer gateway (only on the Home page).

About

Allows the user to check current firmware of the FieldServer gateway plus version identification of the interface and skin, plus contact information. Skin is either the default FieldServer template or it can be a specific template specified by the OEM customer.

Setup

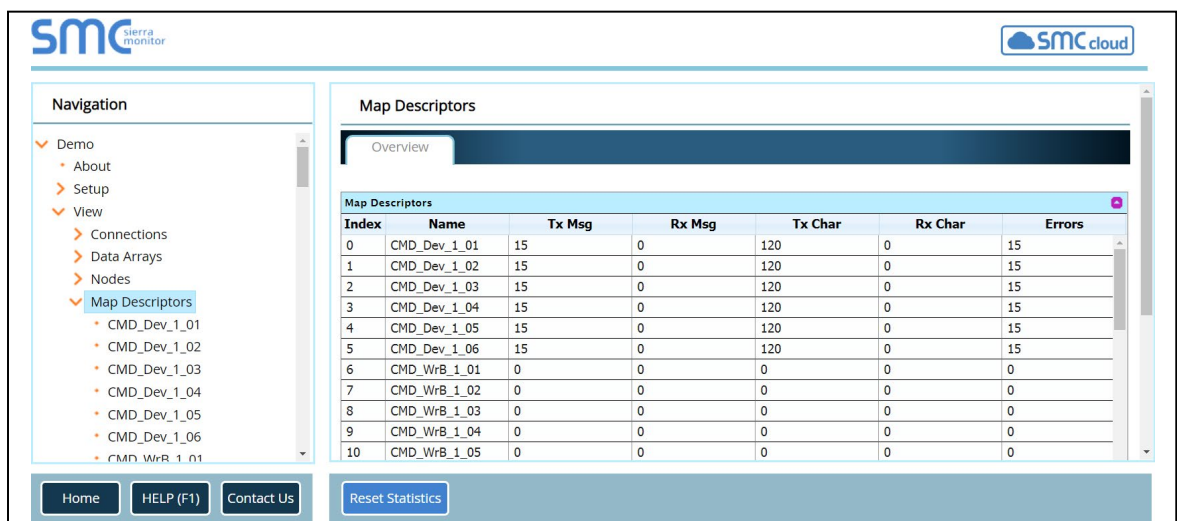
Select “File Transfer” to upload files to the FieldServer gateway including configuration files, firmware upgrades and more. Select “Network Settings” to access and modify network connection.

View

Select “Connections” to view activity of devices connected to the FieldServer gateway ports.

Select “Data Arrays” to view the Data Arrays setup in the gateway and the user can click on the specific Data Array for detailed information.

Select “Nodes” to view the Nodes setup in the gateway and the user can click on the specific node for Node detailed information. On the Nodes details page tabs across the top allow access to settings, status, info stats and error stats.



Select “Map Descriptors” to view the Map Descriptors setup in the gateway and clicking on the specific map descriptor will access the Map Descriptors detail page. Again, tabs across the top of the page provide quick access to settings, status, info stats, and error stats.

The screenshot shows the SMCcloud interface. On the left is a navigation sidebar with a tree view containing 'Demo', 'About', 'Setup', 'View', 'Connections', 'Data Arrays', 'Nodes', and 'Map Descriptors'. The 'Map Descriptors' section is expanded, showing a list of descriptors: CMD_Dev_1_01 through CMD_WrB_1_05. The main content area is titled 'Map Descriptors' and has an 'Overview' tab selected. Below the tab is a table with the following data:

Index	Name	Tx Msg	Rx Msg	Tx Char	Rx Char	Errors
0	CMD_Dev_1_01	15	0	120	0	15
1	CMD_Dev_1_02	15	0	120	0	15
2	CMD_Dev_1_03	15	0	120	0	15
3	CMD_Dev_1_04	15	0	120	0	15
4	CMD_Dev_1_05	15	0	120	0	15
5	CMD_Dev_1_06	15	0	120	0	15
6	CMD_WrB_1_01	0	0	0	0	0
7	CMD_WrB_1_02	0	0	0	0	0
8	CMD_WrB_1_03	0	0	0	0	0
9	CMD_WrB_1_04	0	0	0	0	0
10	CMD_WrB_1_05	0	0	0	0	0

At the bottom of the page, there are buttons for 'Home', 'HELP (F1)', 'Contact Us', and 'Reset Statistics'.

User Messages

Allows access to error messages, info messages and driver messages.

Diagnostics

Used to create diagnostics captures to assist technical support. Allows capture of Ethernet or Wi-Fi connections.

Chapter - 6. Setup-MCS-BMS-GATEWAY

6.1. Record Identification Data

Each MCS-BMS-GATEWAY has a unique part number located on the side or the back of the unit. This number should be recorded, as it may be required for technical support. The numbers are as follows:

Model	Part Number
MCS-BMS-GATEWAY FPC-ED4	FPC-ED4
Figure 1: MCS-BMS-GATEWAY Part Numbers	

- FPC-ED4 units have the following 3 ports: LonWORKS + Ethernet + RS-485.

6.2. Configuring Device Communications

6.2.1 Set COM settings on all Devices Connected to the MCS-BMS-GATEWAY

- Set up all devices on the same subnet as the MCS-BMS-GATEWAY and the configuration PC.
- All of the connected serial devices MUST have the same Baud Rate, Data Bits, Stop Bits, and Parity settings as the MCS-BMS-GATEWAY.
- .

6.2.2 Set IP Address for each MCS-MAGNUM connected to the MCS-BMS-GATEWAY

The device needs to be on the same IP subnet as the MCS-BMS-GATEWAY and the configuration PC.

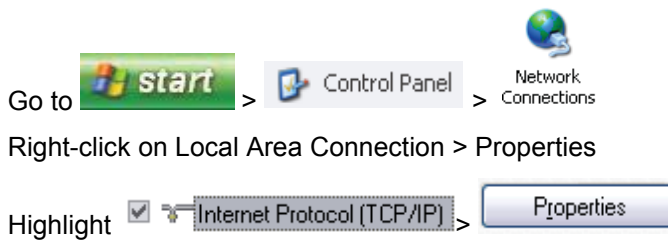
Record the following MCS-MAGNUM information to start the setup:

IP Address

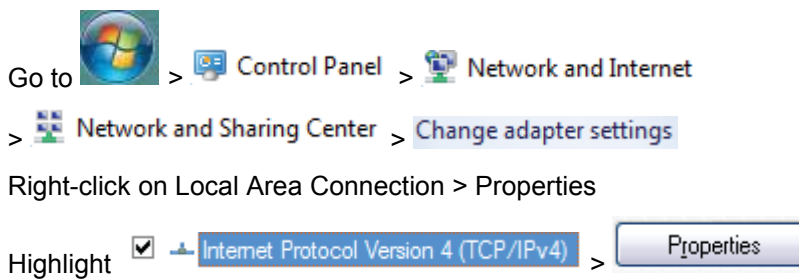
MCS-MAGNUM BACnet Device ID

Set MCS-MAGNUM BACnet port to **47808** in **MCS-CONFIG**

- For Windows XP:



- For Windows 7 or later:



- For Windows 7 / 10, select: Use the following IP Address

Use the following IP address:

IP address:

Subnet mask:

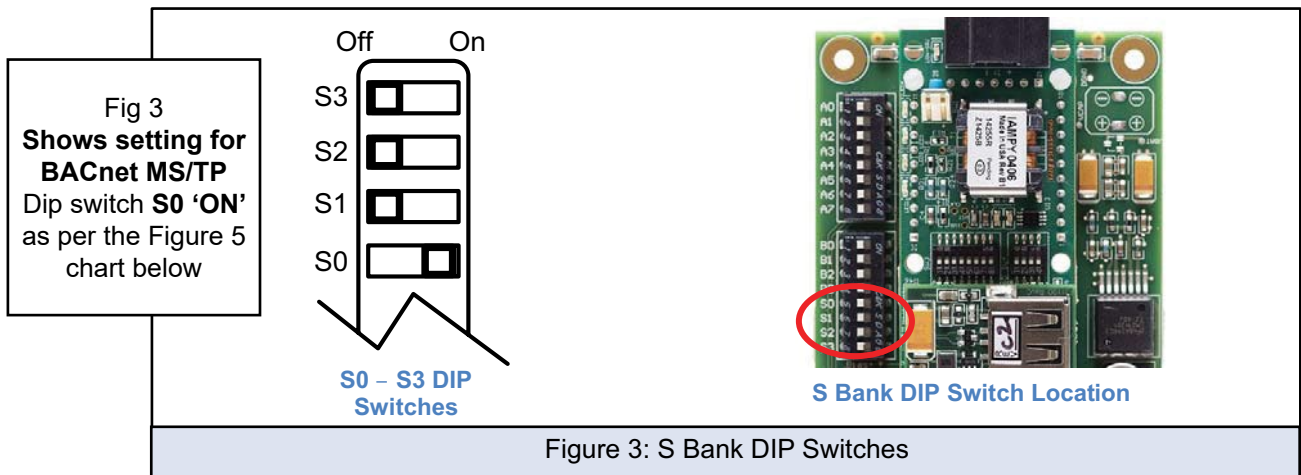
Default gateway:

- Click twice

6.3. BMS Network Settings:

- Selecting Stored Configurations, Setting the MAC Address, Device Instance, and Baud Rate
- Selecting Configuration Files for Devices: “S” Bank DIP Switches S0 – S3

The S bank of DIP switches (S0 - S3) are used to select and load a configuration file from a group of pretested/preloaded configuration files which are stored in the MCS-BMS-GATEWAY FPC-ED4.



NOTE: S0 - S3 DIP Switches sets the Protocol: BACnet MS/TP, OR JOHNSON N2



NOTE: When setting DIP Switches, please ensure that power to the board is OFF.

6.3.1 BACnet MS/TP, N2 and Modbus IP / RTU

The following chart describes S0 - S3 DIP Switch configuration settings for MCS-BMS-GATEWAY to support BACnet® MSTP, Johnson N2®, Modbus IP to RTU and LonTalk®.

MCS-BMS-GATEWAY	MCS-BMS-GATEWAY Bank DIP Switches			
Profile – MCS-BMS-GATEWAY RER	S0	S1	S2	S3
LonTALK	Off	Off	Off	Off
BACnet MSIP	On	Off	Off	Off
Johnson N2	Off	On	Off	Off
Modbus TCP/IP	On	On	Off	Off
BACnet IP	Off	Off	On	Off

Figure 5 Protocol Selection Switch Tables

6.3.2 BACnet MS/TP: Setting the MAC Address for BMS Network

Only 1 MAC address is set for MCS-BMS-GATEWAY regardless of how many devices are connected to MCS-BMS-GATEWAY.

Set the BACnet MS/TP MAC addresses of the MCS-BMS-GATEWAY to a value between 1 to 127 (MAC Master Addresses); this is so that the BMS Front End can find the MCS-BMS-GATEWAY via BACnet auto discovery.

NOTE: Never set a BACnet MS/TP MAC Address from 128 to 255. Addresses from 128 to 255 are Slave Addresses and can not be discovered by BMS Front Ends that support auto discovery of BACnet MS/TP devices.

Set DIP switches A0 – A7 to assign MAC Address for BACnet MS/TP for the MCS-BMS-GATEWAY FPC-ED4. Please refer to Appendix A.1 for the complete range of MAC Addresses and DIP switch settings.



NOTE: When using Johnson N2 and Modbus TCP/IP, the 'A' Bank of DIP switches are disabled and not used. They should be set to OFF.

NOTE: When setting DIP Switches, please ensure that power to the board is OFF.

6.3.3 BACnet MS/TP and BACnet/IP: Setting the Device Instance

- The 'A' Bank of DIP switches are used for two purposes:
- For BACnet MS/TP, they are used to set the BACnet MS/TP MAC address (Section 3.3.2)
- For both BACnet MS/TP and BACnet/IP, they are also used to determine the BACnet Device Instance values
 - The BACnet Device Instance can range from 1 to 4,194,303.
 - The BACnet device instances will be calculated by taking the Node Offset (default is 18100) found in Web Configurator and adding it to the value of the 'A' Bank DIP switches.

When more than one device is connected to the MCS-BMS-GATEWAY, the subsequent BACnet Device Instance values will be sequential from the first/previous device.

For example:

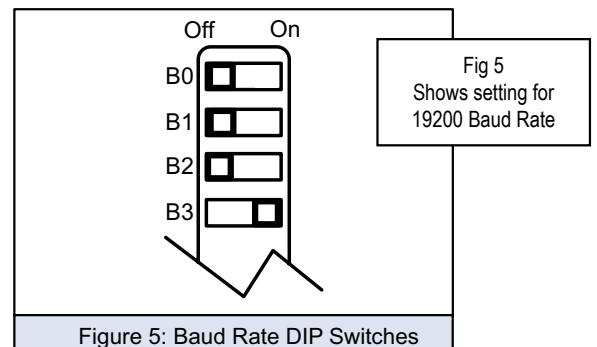
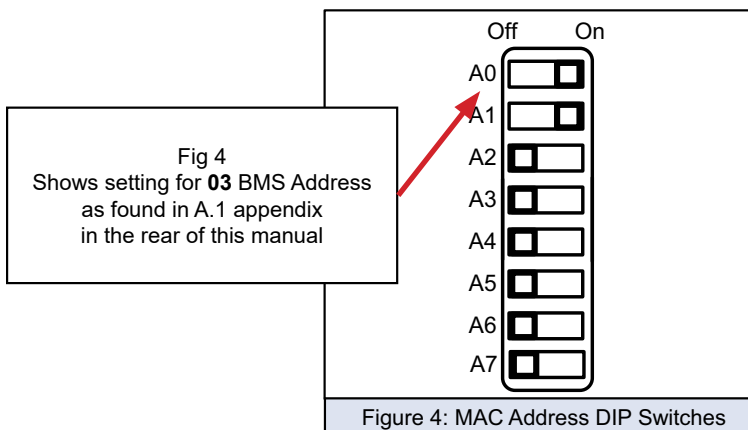
- Given that Device Instance = Node_Offset + A Bank DIP switch value = Default Node_Offset value = 18150 = 'A' Bank DIP switch value = 03 (as per Appendix A.10 DIP Switch Setting)
- Then the Device Instance values for the devices are: = Device 1 Instance = 18153 = Device 2 Instance = 18154

6.3.4 Johnson N2: Setting the Node-ID

- Set DIP switches A0 – A7 to assign a Node-ID for Johnson N2 to the MCS-BMS-GATEWAY.
- Node-ID's range from 1-255.
- Refer to Appendix A.10 for the full range of addresses for setting Node ID.

6.3.5 BACnet MS/TP: Setting the Serial Baud Rate for BMS Network

DIP Switches B0 – B3 can be used to set the serial baud rate to match the baud rate required by the Building Management System for BACnet MS/TP.





- The baud rate on MCS-BMS-GATEWAY for Johnson N2 is set for 9600. DIP Switches B0 – B3 are disabled for Johnson N2.

NOTE: When setting DIP Switches, please ensure that power to the board is OFF.

6.3.5.1. Baud Rate DIP Switch Selection

Baud	B0	B1	B2	B3
Auto	Off	Off	Off	Off
110	On	Off	Off	Off
300	Off	On	Off	Off
600	On	On	Off	Off
1200	Off	Off	On	Off
2400	On	Off	On	Off
4800	Off	On	On	Off
9600	On	On	On	Off
19200	Off	Off	Off	On
20833	On	Off	Off	On
28800	Off	On	Off	On
38400	On	On	Off	On
57600	Off	Off	On	On
76800	On	Off	On	On
115200	Off	On	On	On

Chapter - 7. Interfacing MCS-BMS-GATEWAY

7.1. MCS-BMS-GATEWAY Connection Ports

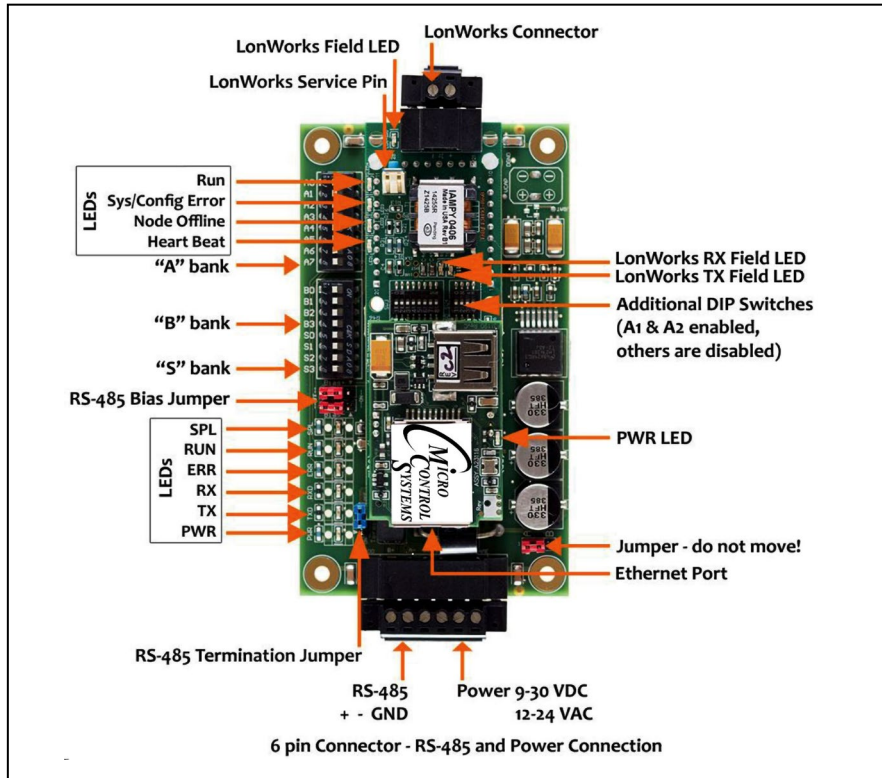


Figure 8: MCS-BMS-GATEWAY WITH LonWORKS Connector

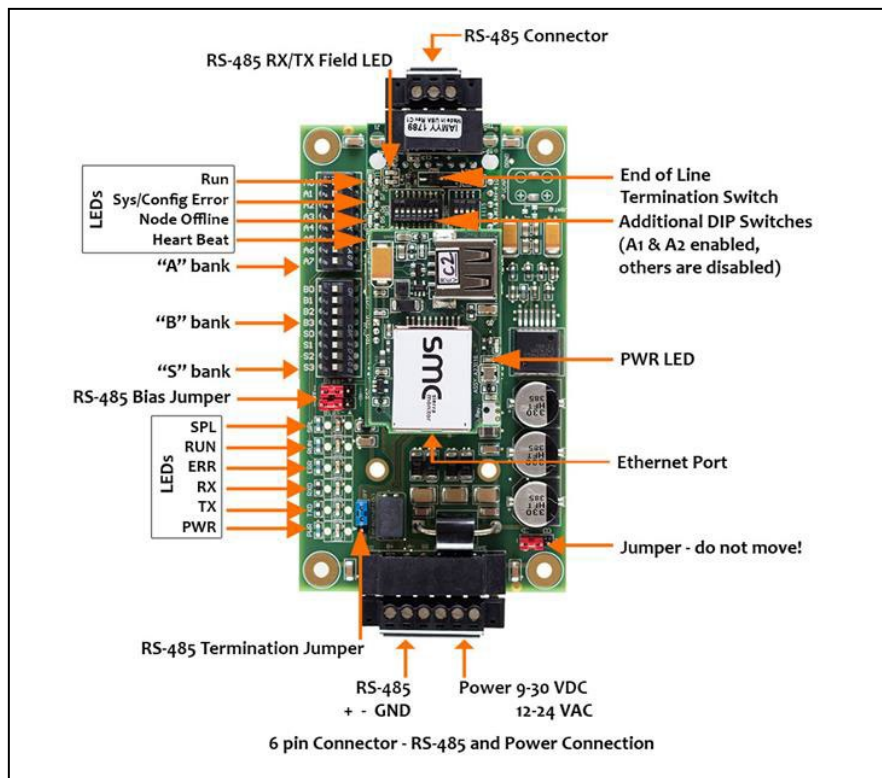
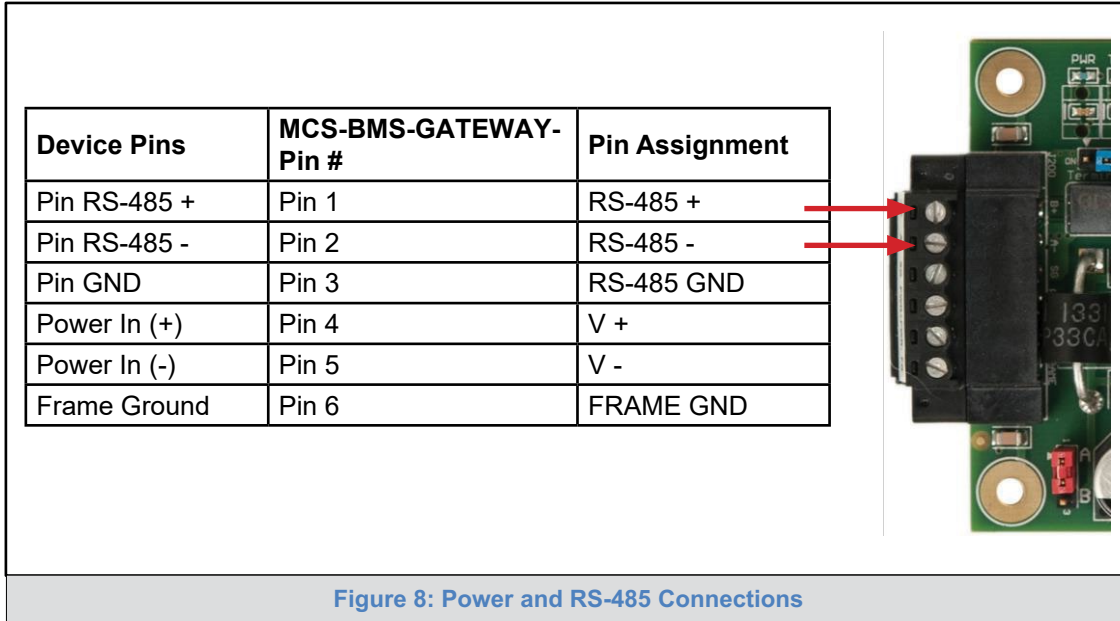


Figure 7: MCS-BMS-GATEWAY (No LonWORKS)

7.2. Device Connections to MCS-BMS-GATEWAY

MCS-BMS-GATEWAY6 Pin Phoenix connector for RS-485 Devices.

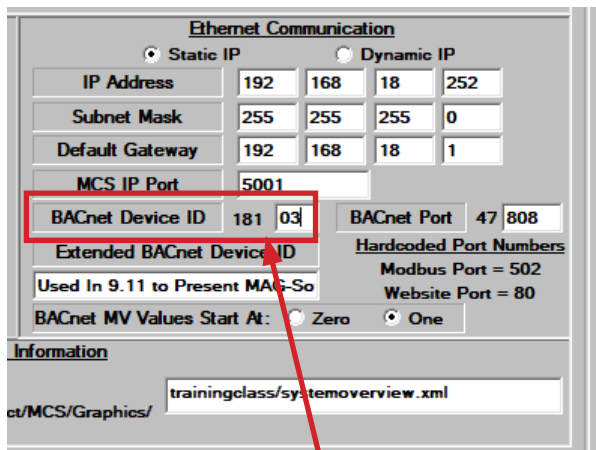


- Pins 1 through 3 are for RS-485 devices.
- The RS-485 GND (Pin 3) is not typically connected
- Pins 4 through 6 are for power. Do not connect power (wait until Section 3.4).

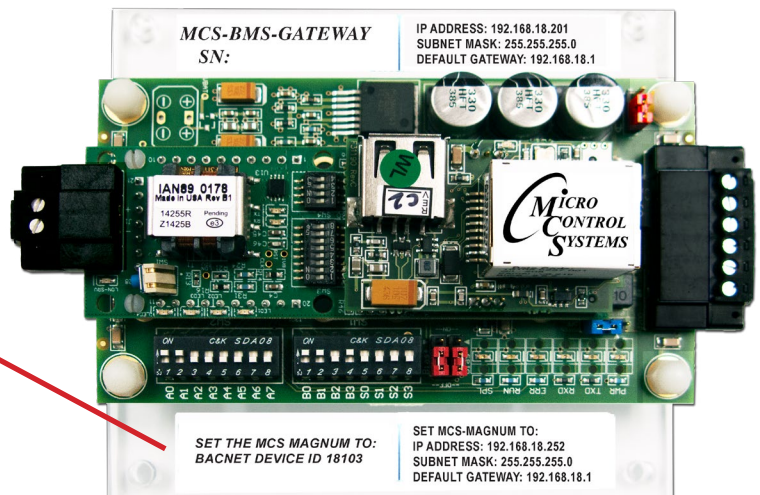
7.3. MCS-MAGNUM Address Settings

The MCS-BMS-GATEWAY is connected to the MCS-MAGNUM via Ethernet . The BACnet Device ID and the IP address of the MCS-MAGNUM must be setup properly to enable successful communications between the MCS-BMS-GATEWAY and the MCS-MAGNUM.

The MCS-MAGNUM BACnet DEVICE ID must be set to the address specified on the MCS-BMS-GATEWAY's label.



Set the MCS MAGNUM BACnet Device ID as shown on label:



NOTE: This BACnet Device ID will change depending on the address that will be set on the 'A' DIP Switches.

The MCS-MAGNUM BACnet DEVICE ID can be verified and changed (with the proper authorization code) from MCS-Magnum's keypad the keypad/LCD of a live unit.

1. To get authorized on Magnum do the following:
2. Press 'Menu'
3. Using ↑, ↓, →, or ← position curser to 'Passwords'
4. Press ← key.
5. Enter 4 digit password & press ←.
6. Press 'Menu' to make next selection.

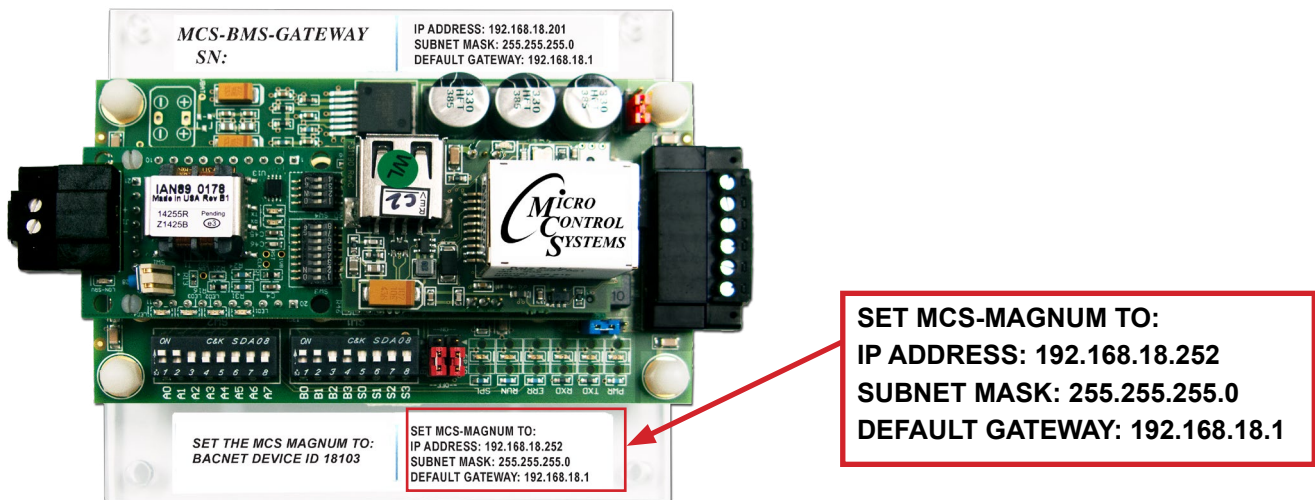
The following steps will display the BACnet Device ID:



(to change the address you first must be authorized)

1. \Press the MENU key and then Using ↑, ↓, →, or ← position curser to Serv Tools then press the ENTER key.
2. then Using ↑, ↓, →, or ← position curser to BACnet Setting then press Enter.
3. Use ↑, ↓, curser to change the BACnet Device ID.
4. Set your desired address then press Enter.
5. Reset or cycle power to the magnum for the change to take effect.

The MCS-MAGNUM IP must be set to the address specified on the MCS-BMS-GATEWAY's label (Example - 192.168.18.101). Range of default settings: 101-150



The MCS-MAGNUM IP address can be verified and changed (with the proper authorization code) from the MCS-Magnum's Keypad/LCD of a live unit.

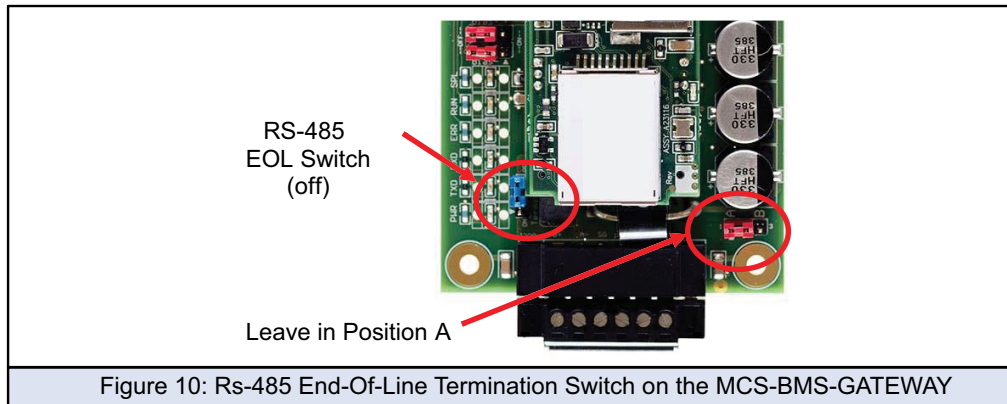
The following steps will display the IP Address settings:

(to change the address you first must be authorized)

6. Press the MENU key and then Using ↑, ↓, →, or ← position curser to Serv Tools then press the ENTER key.
7. Then Using ↑, ↓, → or ← position curser to Serv Tools then press Enter.
8. Then Using ↑, ↓, →, or ← position curser to Ethernet Network then press Enter.
9. Then Using ↑, ↓, →, or ← position curser to IP address then press Enter.

10. Using ↑, ↓ to increase and decrease the first set of values then use the → to select the next set of numbers and use ↑, ↓ to increase and decrease the second value and repeat the previous steps for rest of the ip address.
11. Once you have set the desired address press the Enter key.
12. Reset or cycle power to the magnum for the change to take effect.

The MCS-MAGNUM IP address can be verified and changed (with the proper authorization code) from MCS-CONNECT of a live unit.



The following steps will display the IP Address settings:

(to change the address you first must be authorized)

1. Connect to your MCS-Controller thru MCS-CONNECT
2. Click on the 'SERVICE' tab
3. Click on the 'ETHERNET' tab
4. Make changes to the IP address and any other changes as shown on the MCS-BMS-GATEWAY label.
5. Save your changes



Check the latest information for installing the MCS-BMS-GATEWAY at:

<https://mcscontrols.com/appNotes.html/>

APP#85 'Programming a MCS-BMS-GATEWAY'



Scan with phone

7.4. Biasing the RS-485 Device Network

- An RS-485 network with more than one device needs to have biasing to ensure proper communication. The biasing only needs to be done on one device.
- The MCS-BMS-GATEWAY has 510 Ohm resistors that can be used to set the biasing.
- The MCS-BMS-GATEWAY's default positions from the factory for the Biasing jumpers are OFF.
- The OFF position is when the 2 RED biasing jumpers straddle the 4 pins closest to the outside of the board of the MCS-BMS-GATEWAY. (Figure 9)
- Only turn biasing ON:
- IF the BMS cannot see more than one device connected to the MCS-BMS-GATEWAY AND all the settings (wiring, and DIP switches) have been checked.
- To turn biasing ON, move the 2 RED biasing jumpers to straddle the 4 pins closest to the inside of the board of the MCS-BMS-GATEWAY.

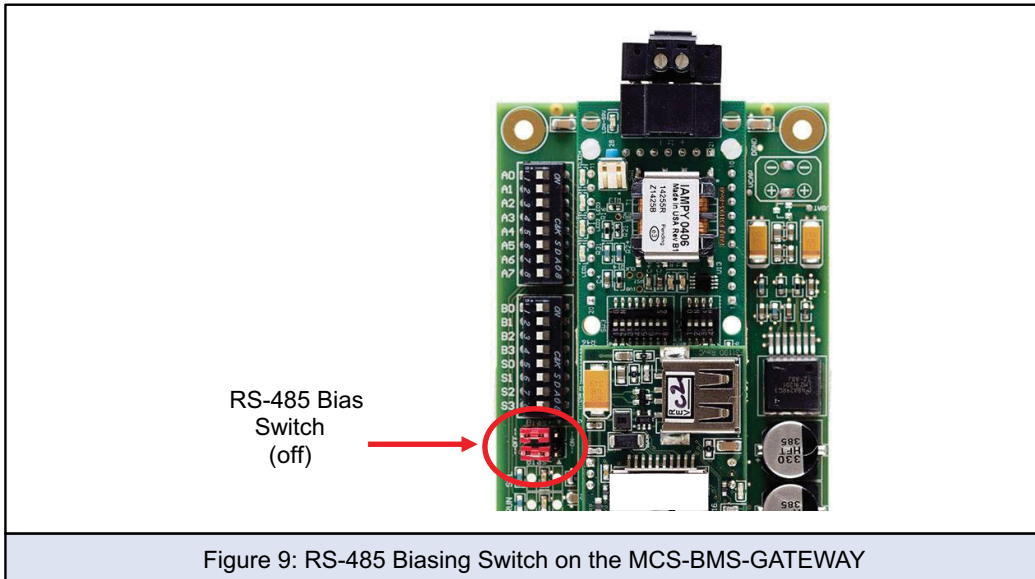


Figure 9: RS-485 Biasing Switch on the MCS-BMS-GATEWAY

7.5. End of Line Termination Switch for the Modbus RS-485 Device Network

- On long RS-485 cabling runs, the RS-485 trunk must be properly terminated at each end.
- The MCS-BMS-GATEWAY has an End of Line (EOL) blue jumper. The default setting for this Blue EOL switch is OFF with the jumper straddling the pins closest to the inside of the board of the MCS-BMS-GATEWAY.
- On short cabling runs the EOL switch does not need to be turned ON
- If the MCS-BMS-GATEWAY is placed at one of the ends of the trunk, set the blue EOL jumper to the ON position straddling the pins closest to the outside of the board of the MCS-BMS-GATEWAY.
- Always leave the single Red Jumper in the A position (default factory setting).

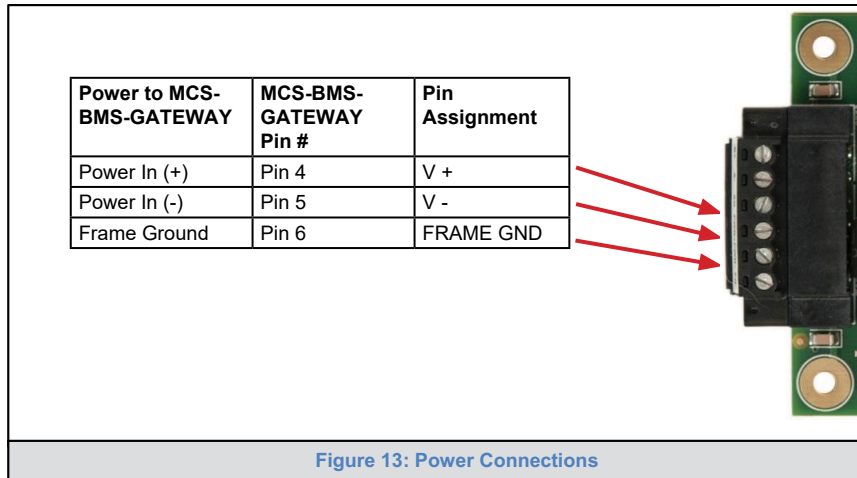
7.6. Power-Up MCS-BMS-GATEWAY

Apply power to MCS-BMS-GATEWAY as show below in Figure 13. Ensure that the power supply used complies with the specifications provided in chapter 9.

6. MCS-BMS-GATEWAY accepts either 9-30VDC or 12-24 VAC on pins 4 and 5.
7. Frame GND should be connected.

Power Requirement for MCS-BMS-GATEWAY External Gateway			
	Current Draw Type		
MCS-BMS-GATEWAY Family	12VDC/VAC	24VDC/VAC	30VDC

FPC – ED4 (Typical)	210mA	130mA	90mA
FPC – ED4 (Maximum)	250mA	170mA	110mA
NOTE: These values are 'nominal' and a safety margin should be added to the power supply of the host system. A safety margin of 25% is recommended.			
Figure 12: Required current draw for the MCS-BMS-GATEWAY			



Chapter - 8. BMS-GATEWAY SWITCH SETTINGS

8.1. BMS Address DIP Switch Settings

A7	A6	A5	A4	A3	A2	A1	A0	Address
Off	Off	Off	Off	Off	Off	Off	On	1
Off	Off	Off	Off	Off	Off	On	Off	2
Off	Off	Off	Off	Off	Off	On	On	3
Off	Off	Off	Off	Off	On	Off	Off	4
Off	Off	Off	Off	Off	On	Off	On	5
Off	Off	Off	Off	Off	On	On	Off	6
Off	Off	Off	Off	Off	On	On	On	7
Off	Off	Off	Off	On	Off	Off	Off	8
Off	Off	Off	Off	On	Off	Off	On	9
Off	Off	Off	Off	On	Off	On	Off	10
Off	Off	Off	Off	On	Off	On	On	11
Off	Off	Off	Off	On	On	Off	Off	12
Off	Off	Off	Off	On	On	Off	On	13
Off	Off	Off	Off	On	On	On	Off	14
Off	Off	Off	Off	On	On	On	On	15
Off	Off	Off	On	Off	Off	Off	Off	16
Off	Off	Off	On	Off	Off	Off	On	17
Off	Off	Off	On	Off	Off	On	Off	18
Off	Off	Off	On	Off	Off	On	On	19
Off	Off	Off	On	Off	On	Off	Off	20
Off	Off	Off	On	Off	On	Off	On	21
Off	Off	Off	On	Off	On	On	Off	22
Off	Off	Off	On	Off	On	On	On	23
Off	Off	Off	On	On	Off	Off	Off	24
Off	Off	Off	On	On	Off	Off	On	25
Off	Off	Off	On	On	Off	On	Off	26
Off	Off	Off	On	On	Off	On	On	27
Off	Off	Off	On	On	On	Off	Off	28
Off	Off	Off	On	On	On	Off	On	29
Off	Off	Off	On	On	On	On	Off	30
Off	Off	Off	On	On	On	On	On	31
Off	Off	On	Off	Off	Off	Off	Off	32
Off	Off	On	Off	Off	Off	Off	On	33
Off	Off	On	Off	Off	Off	On	Off	34
Off	Off	On	Off	Off	Off	On	On	35
Off	Off	On	Off	Off	On	Off	Off	36
Off	Off	On	Off	Off	On	Off	On	37
Off	Off	On	Off	Off	On	On	Off	38
Off	Off	On	Off	Off	On	On	On	39
Off	Off	On	Off	On	Off	Off	Off	40
Off	Off	On	Off	On	Off	Off	On	41
Off	Off	On	Off	On	Off	On	Off	42

A7	A6	A5	A4	A3	A2	A1	A0	Address
Off	Off	On	Off	On	Off	On	On	43
Off	Off	On	Off	On	On	Off	Off	44
Off	Off	On	Off	On	On	Off	On	45
Off	Off	On	Off	On	On	On	Off	46
Off	Off	On	Off	On	On	On	On	47
Off	Off	On	On	Off	Off	Off	Off	48
Off	Off	On	On	Off	Off	Off	On	49
Off	Off	On	On	Off	Off	On	Off	50
Off	Off	On	On	Off	Off	On	On	51
Off	Off	On	On	Off	On	Off	Off	52
Off	Off	On	On	Off	On	Off	On	53
Off	Off	On	On	Off	On	On	Off	54
Off	Off	On	On	Off	On	On	On	55
Off	Off	On	On	On	Off	Off	Off	56
Off	Off	On	On	On	Off	Off	On	57
Off	Off	On	On	On	Off	On	Off	58
Off	Off	On	On	On	Off	On	On	59
Off	Off	On	On	On	On	Off	Off	60
Off	Off	On	On	On	On	Off	On	61
Off	Off	On	On	On	On	On	Off	62
Off	Off	On	On	On	On	On	On	63
Off	On	Off	Off	Off	Off	Off	Off	64
Off	On	Off	Off	Off	Off	Off	On	65
Off	On	Off	Off	Off	Off	On	Off	66
Off	On	Off	Off	Off	Off	On	On	67
Off	On	Off	Off	Off	On	Off	Off	68
Off	On	Off	Off	Off	On	Off	On	69
Off	On	Off	Off	Off	On	On	Off	70
Off	On	Off	Off	Off	On	On	On	71
Off	On	Off	Off	On	Off	Off	Off	72
Off	On	Off	Off	On	Off	Off	On	73
Off	On	Off	Off	On	Off	On	Off	74
Off	On	Off	Off	On	Off	On	On	75
Off	On	Off	Off	On	On	Off	Off	76
Off	On	Off	Off	On	On	Off	On	77
Off	On	Off	Off	On	On	On	Off	78
Off	On	Off	Off	On	On	On	On	79
Off	On	Off	On	Off	Off	Off	Off	80
Off	On	Off	On	Off	Off	Off	On	81
Off	On	Off	On	Off	Off	On	Off	82
Off	On	Off	On	Off	Off	On	On	83
Off	On	Off	On	Off	On	Off	Off	84
Off	On	Off	On	Off	On	On	Off	86
Off	On	Off	On	Off	On	On	On	87
Off	On	Off	On	On	Off	Off	Off	88
Off	On	Off	On	On	Off	Off	On	89

A7	A6	A5	A4	A3	A2	A1	A0	Address
Off	On	Off	On	On	Off	On	Off	90
Off	On	Off	On	On	Off	On	On	91
Off	On	Off	On	On	On	Off	Off	92
Off	On	Off	On	On	On	Off	On	93
Off	On	Off	On	On	On	On	Off	94
Off	On	Off	On	On	On	On	On	95
Off	On	On	Off	Off	Off	Off	Off	96
Off	On	On	Off	Off	Off	Off	On	97
Off	On	On	Off	Off	Off	On	Off	98
Off	On	On	Off	Off	Off	On	On	99
Off	On	On	Off	Off	On	Off	Off	100
Off	On	On	Off	Off	On	Off	On	101
Off	On	On	Off	Off	On	On	Off	102
Off	On	On	Off	Off	On	On	On	103
Off	On	On	Off	On	Off	Off	Off	104
Off	On	On	Off	On	Off	Off	On	105
Off	On	On	Off	On	Off	On	Off	106
Off	On	On	Off	On	Off	On	On	107
Off	On	On	Off	On	On	Off	Off	108
Off	On	On	Off	On	On	Off	On	109
Off	On	On	Off	On	On	On	Off	110
Off	On	On	Off	On	On	On	On	111
Off	On	On	On	Off	Off	Off	Off	112
Off	On	On	On	Off	Off	Off	On	113
Off	On	On	On	Off	Off	On	Off	114
Off	On	On	On	Off	Off	On	On	115
Off	On	On	On	Off	On	Off	Off	116
Off	On	On	On	Off	On	Off	On	117
Off	On	On	On	Off	On	On	Off	118
Off	On	On	On	Off	On	On	On	119
Off	On	On	On	On	Off	Off	Off	120
Off	On	On	On	On	Off	Off	On	121
Off	On	On	On	On	Off	On	Off	122
Off	On	On	On	On	Off	On	On	123
Off	On	On	On	On	On	Off	Off	124
Off	On	On	On	On	On	Off	On	125
Off	On	On	On	On	On	On	Off	126
Off	On	On	On	On	On	On	On	127
On	Off	Off	Off	Off	Off	Off	Off	128
On	Off	Off	Off	Off	Off	Off	On	129
On	Off	Off	Off	Off	Off	On	Off	130
On	Off	Off	Off	Off	Off	On	On	131
On	Off	Off	Off	Off	On	Off	Off	132
On	Off	Off	Off	Off	On	Off	On	133
On	Off	Off	Off	Off	On	On	Off	134
On	Off	Off	Off	Off	On	On	On	135

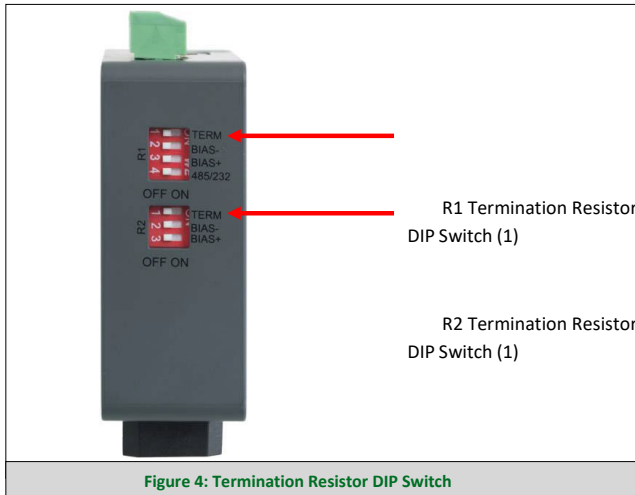
A7	A6	A5	A4	A3	A2	A1	A0	Address
On	Off	Off	Off	On	Off	Off	Off	136
On	Off	Off	Off	On	Off	Off	On	137
On	Off	Off	Off	On	Off	On	Off	138
On	Off	Off	Off	On	Off	On	On	139
On	Off	Off	Off	On	On	Off	Off	140
On	Off	Off	Off	On	On	Off	On	141
On	Off	Off	Off	On	On	On	Off	142
On	Off	Off	Off	On	On	On	On	143
On	Off	Off	On	Off	Off	Off	Off	144
On	Off	Off	On	Off	Off	Off	On	145
On	Off	Off	On	Off	Off	On	Off	146
On	Off	Off	On	Off	Off	On	On	147
On	Off	Off	On	Off	On	Off	Off	148
On	Off	Off	On	Off	On	Off	On	149
On	Off	Off	On	Off	On	On	Off	150
On	Off	Off	On	Off	On	On	On	151
On	Off	Off	On	On	Off	Off	Off	152
On	Off	Off	On	On	Off	Off	On	153
On	Off	Off	On	On	Off	On	Off	154
On	Off	Off	On	On	Off	On	On	155
On	Off	Off	On	On	On	Off	Off	156
On	Off	Off	On	On	On	Off	On	157
On	Off	Off	On	On	On	On	Off	158
On	Off	Off	On	On	On	On	On	159
On	Off	On	Off	Off	Off	Off	Off	160
On	Off	On	Off	Off	Off	Off	On	161
On	Off	On	Off	Off	Off	On	Off	162
On	Off	On	Off	Off	Off	On	On	163
On	Off	On	Off	Off	On	Off	Off	164
On	Off	On	Off	Off	On	Off	On	165
On	Off	On	Off	Off	On	On	Off	166
On	Off	On	Off	Off	On	On	On	167
On	Off	On	Off	On	Off	Off	Off	168
On	Off	On	Off	On	Off	Off	On	169
On	Off	On	Off	On	Off	On	Off	170
On	Off	On	Off	On	Off	On	On	171
On	Off	On	Off	On	On	Off	Off	172
On	Off	On	Off	On	On	Off	On	173
On	Off	On	Off	On	On	On	Off	174
On	Off	On	Off	On	On	On	On	175
On	Off	On	On	Off	Off	Off	Off	176
On	Off	On	On	Off	Off	Off	On	177
On	Off	On	On	Off	Off	On	Off	178
On	Off	On	On	Off	Off	On	On	179
On	Off	On	On	Off	On	Off	Off	180
On	Off	On	On	Off	On	Off	On	181

A7	A6	A5	A4	A3	A2	A1	A0	Address
On	Off	On	On	Off	On	On	Off	182
On	Off	On	On	Off	On	On	On	183
On	Off	On	On	On	Off	Off	Off	184
On	Off	On	On	On	Off	Off	On	185
On	Off	On	On	On	Off	On	Off	186
On	Off	On	On	On	Off	On	On	187
On	Off	On	On	On	On	Off	Off	188
On	Off	On	On	On	On	Off	On	189
On	Off	On	On	On	On	On	Off	190
On	Off	On	On	On	On	On	On	191
On	On	Off	Off	Off	Off	Off	Off	192
On	On	Off	Off	Off	Off	Off	On	193
On	On	Off	Off	Off	Off	On	Off	194
On	On	Off	Off	Off	Off	On	On	195
On	On	Off	Off	Off	On	Off	Off	196
On	On	Off	Off	Off	On	Off	On	197
On	On	Off	Off	Off	On	On	Off	198
On	On	Off	Off	Off	On	On	On	199
On	On	Off	Off	On	Off	Off	Off	200
On	On	Off	Off	On	Off	Off	On	201
On	On	Off	Off	On	Off	On	Off	202
On	On	Off	Off	On	Off	On	On	203
On	On	Off	Off	On	On	Off	Off	204
On	On	Off	Off	On	On	Off	On	205
On	On	Off	Off	On	On	On	Off	206
On	On	Off	Off	On	On	On	On	207
On	On	Off	On	Off	Off	Off	Off	208
On	On	Off	On	Off	Off	Off	On	209
On	On	Off	On	Off	Off	On	Off	210
On	On	Off	On	Off	Off	On	On	211
On	On	Off	On	Off	On	Off	Off	212
On	On	Off	On	Off	On	Off	On	213
On	On	Off	On	Off	On	On	Off	214
On	On	Off	On	Off	On	On	On	215
On	On	Off	On	On	Off	Off	Off	216
On	On	Off	On	On	Off	Off	On	217
On	On	Off	On	On	Off	On	Off	218
On	On	Off	On	On	Off	On	On	219
On	On	Off	On	On	On	Off	Off	220
On	On	Off	On	On	On	Off	On	221
On	On	Off	On	On	On	On	Off	222
On	On	Off	On	On	On	On	On	223
On	On	On	Off	Off	Off	Off	Off	224
On	On	On	Off	Off	Off	Off	On	225
On	On	On	Off	Off	Off	On	Off	226
On	On	On	Off	Off	Off	On	On	227

A7	A6	A5	A4	A3	A2	A1	A0	Address
On	On	On	Off	Off	On	Off	Off	228
On	On	On	Off	Off	On	Off	On	229
On	On	On	Off	Off	On	On	Off	230
On	On	On	Off	Off	On	On	On	231
On	On	On	Off	On	Off	Off	Off	232
On	On	On	Off	On	Off	Off	On	233
On	On	On	Off	On	Off	On	Off	234
On	On	On	Off	On	Off	On	On	235
On	On	On	Off	On	On	Off	Off	236
On	On	On	Off	On	On	Off	On	237
On	On	On	Off	On	On	On	Off	238
On	On	On	Off	On	On	On	On	239
On	On	On	On	Off	Off	Off	Off	240
On	On	On	On	Off	Off	Off	On	241
On	On	On	On	Off	Off	On	Off	242
On	On	On	On	Off	Off	On	On	243
On	On	On	On	Off	On	Off	Off	244
On	On	On	On	Off	On	Off	On	245
On	On	On	On	Off	On	On	Off	246
On	On	On	On	Off	On	On	On	247
On	On	On	On	On	Off	Off	Off	248
On	On	On	On	On	Off	Off	On	249
On	On	On	On	On	Off	On	Off	250
On	On	On	On	On	Off	On	On	251
On	On	On	On	On	On	Off	Off	252
On	On	On	On	On	On	Off	On	253
On	On	On	On	On	On	On	Off	254
On	On	On	On	On	On	On	On	255

Chapter - 9. Installing the MCS-BMS-GATEWAY-N54

9.1. Termination Resistor



Check the latest information for installing the MCS-BMS-GATEWAY-N54 at:

<https://mcscontrols.com/appNotes.html/>

APP#85 'Programming a MCS-BMS-GATEWAY'

If the MCS-BMS-GATEWAY-N54 is the last device on the serial trunk, then the End-Of-Line Termination Switch needs to be enabled. To enable the Termination Resistor, move the TERM dip switch to the right in the orientation shown in Figure 4.

Termination resistor is also used to reduce noise. It pulls the two lines of an idle bus together. However, the resistor would override the effect of any bias resistors if connected.

NOTE: The R1 and R2 DIP Switches apply settings to the respective serial port.

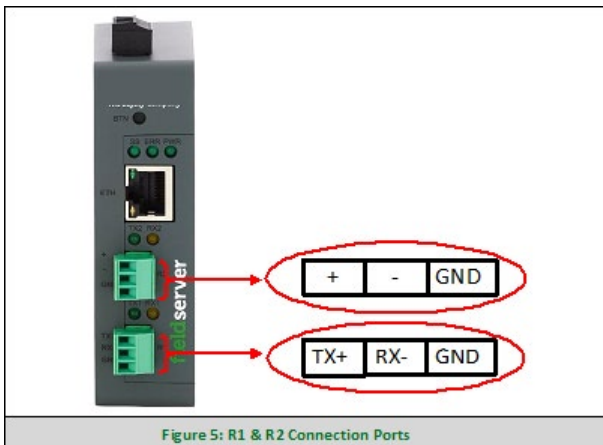
NOTE: If the gateway is already powered on, DIP switch settings will not take effect unless the unit is power cycled.

9.2. Connecting the R1 & R2 Ports

For the R1 Port only: Switch between RS-485 and RS-232 by moving the number 4 DIP Switch left for RS-485 and right for RS-232 (Figure 5).

The R2 Port is RS-485.

Connect to the 3-pin connector(s) as shown below.



The following baud rates are supported on the R1 and R2 Ports:

9600, 19200, 38400, 57600, 76800, 115000

NOTE: Not all baud rates listed are supported by all protocols. Check the specific protocol driver manual for a list of the supported baud rates.

9.3. Wiring

NOTE: Use standard grounding principles for GND.

RS-485		RS-232	
BMS RS-485 Wiring	Gateway Pin Assignment	BMS RS-232 Wiring	Gateway Pin Assignment
RS-485 +	TX +	RS-232 -	TX +
RS-485 -	RX -	RS-232 +	RX -
GND	GND	GND	GND

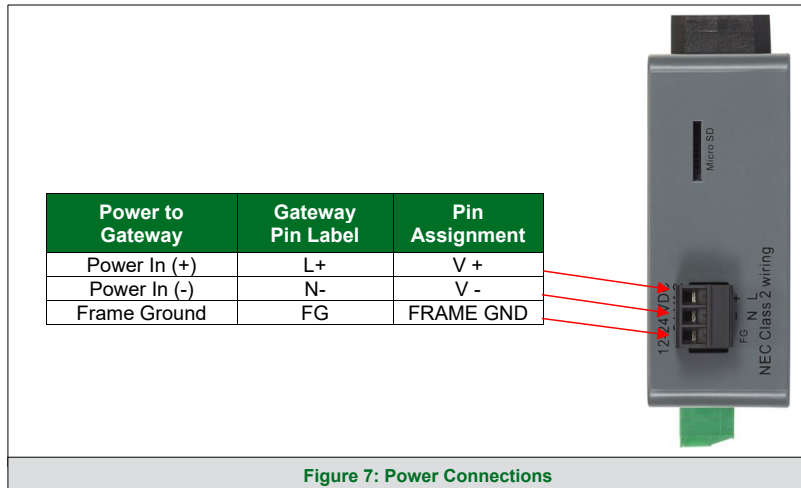
9.4. Power up the MCS-BMS-GATEWAY-N54

Check power requirements in the table below:

Power Requirement for ProtoNode External Gateway		
ProtoNode Family	Current Draw Type	
	12VDC	24VDC/AC
FPC – N54 (Typical)	250mA	125mA
NOTE: These values are 'nominal' and a safety margin should be added to the power supply of the host system. A safety margin of 25% is recommended.		
Figure 6: Required Current Draw for the Gateway		

Apply power to the MCS-BMS-GATEWAY-N54 as shown below in Figure 7. Ensure that the power supply used complies with the specifications provided in Section 10.4.

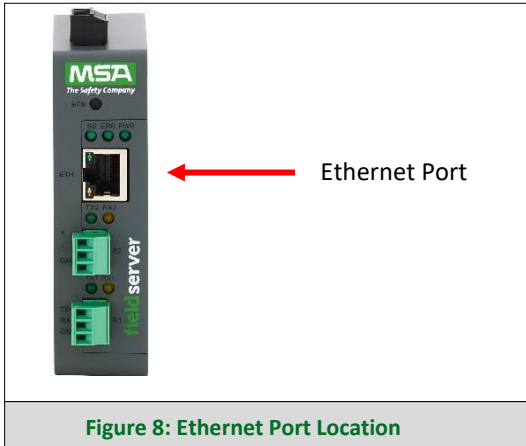
- The gateway accepts 9-30VDC or 24VAC on pins L+ and N-.
- Frame GND should be connected.



9.5. Connect the PC to the MCS-BMS-GATEWAY-N54

9.5.1 Connecting to the Gateway via Ethernet


Connect a Cat-5 Ethernet cable (straight through or cross-over) between the local PC and MCS-BMS-GATEWAY-N54



9.5.2 Changing the Subnet of the Connected PC

The default IP Address for the MCS-BMS-GATEWAY-N54 is 192.168.2.101, Subnet Mask is 255.255.255.0. If the PC and MCS-BMS-GATEWAY-N54 are on different IP networks, assign a static IP Address to the PC on the 192.168.2.xxx network.

For Windows 10:

- Find the search field in the local computer's taskbar (usually to the right of the windows icon ) and type in "Control Panel".
- Click "Control Panel", click "Network and Internet" and then click "Network and Sharing Center".
- Click "Change adapter settings" on the left side of the window.
- Right-click on "Local Area Connection" and select "Properties" from the dropdown menu.
- Highlight [Internet Protocol Version 4 \(TCP/IPv4\)](#)
- Select and enter a static IP Address on the same subnet. For example:



Use the following IP address:

IP address:	192 . 168 . 1 . 11
Subnet mask:	255 . 255 . 255 . 0
Default gateway:	. . .

- Click the Okay button to close the Internet Protocol window and the Close button to close the Ethernet Properties window.

9.6. Navigate to the ProtoNode Login Page

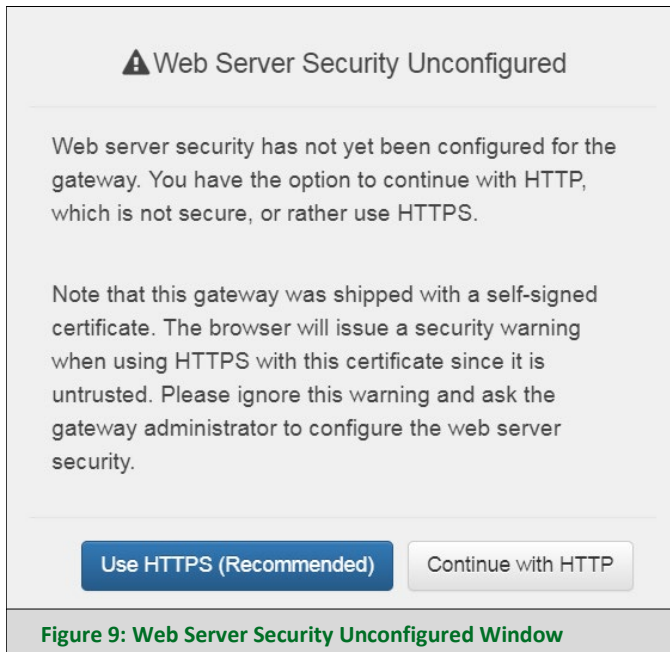
- Open a web browser and connect to the ProtoNode's default IP Address. The default IP Address of the FieldServer is 192.168.2.101, Subnet Mask is 255.255.255.0.
- If the PC and the ProtoNode are on different IP networks, assign a static IP Address to the PC on the 192.168.2.X network.

9.7. Setup Web Server Security

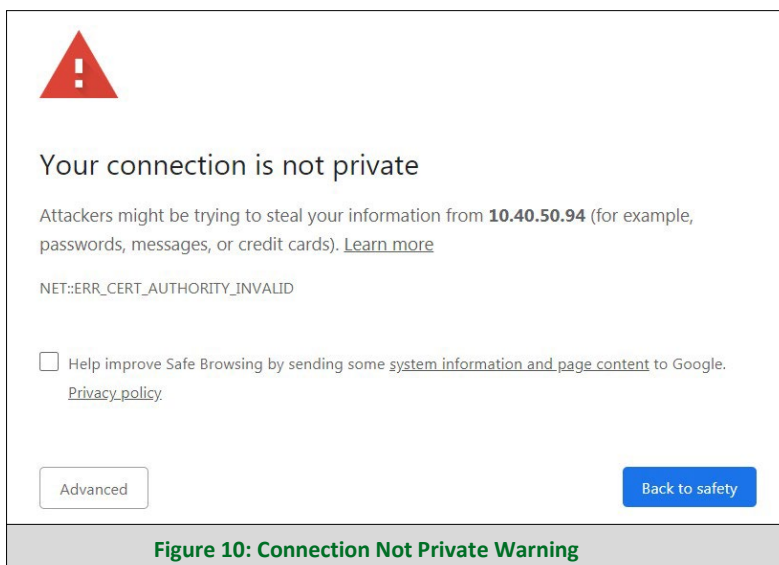
9.7.1 Login to the FieldServer

The first time the FieldServer GUI is opened in a browser, the IP Address for the gateway will appear as untrusted. This will cause the following pop-up windows to appear.

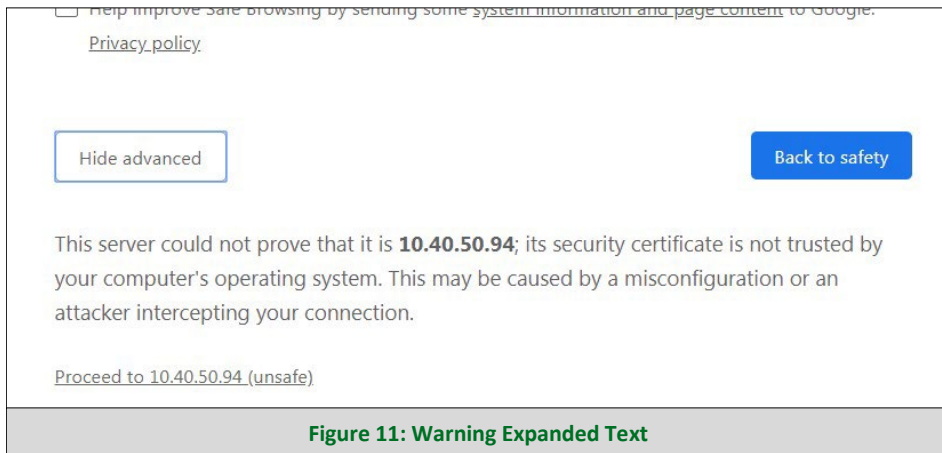
- When the Web Server Security Unconfigured window appears, read the text and choose whether to move forward with HTTPS or HTTP.



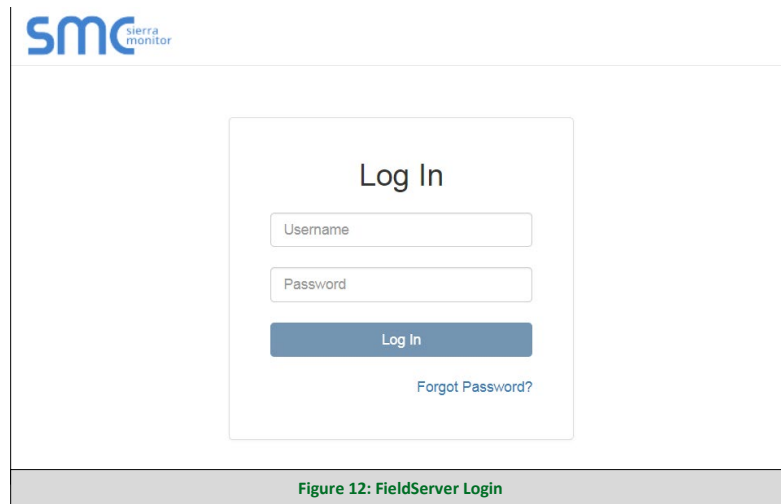
- When the warning that “Your connection is not private” appears, click the advanced button on the bottom left corner of the screen.



- Additional text will expand below the warning, click the underlined text to go to the IP Address. In the Figure 11 example this text is “Proceed to 10.40.50.94 (unsafe)”.



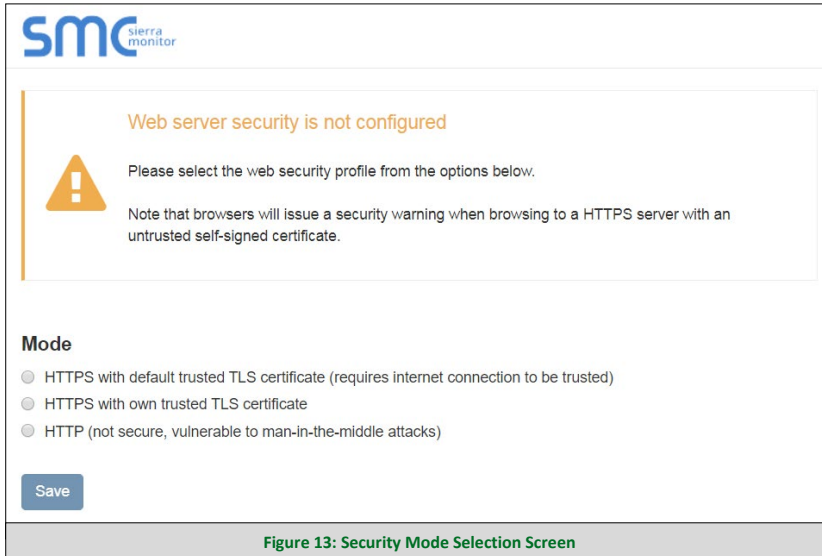
- When the login screen appears, put in the Username (default is “admin”) and the Password (found on the label of the FieldServer).



NOTE: A user has 5 attempts to login then there will be a 10-minute lockout. There is no timeout on the Field-Server to enter a password.

9.8. Select the Security Mode

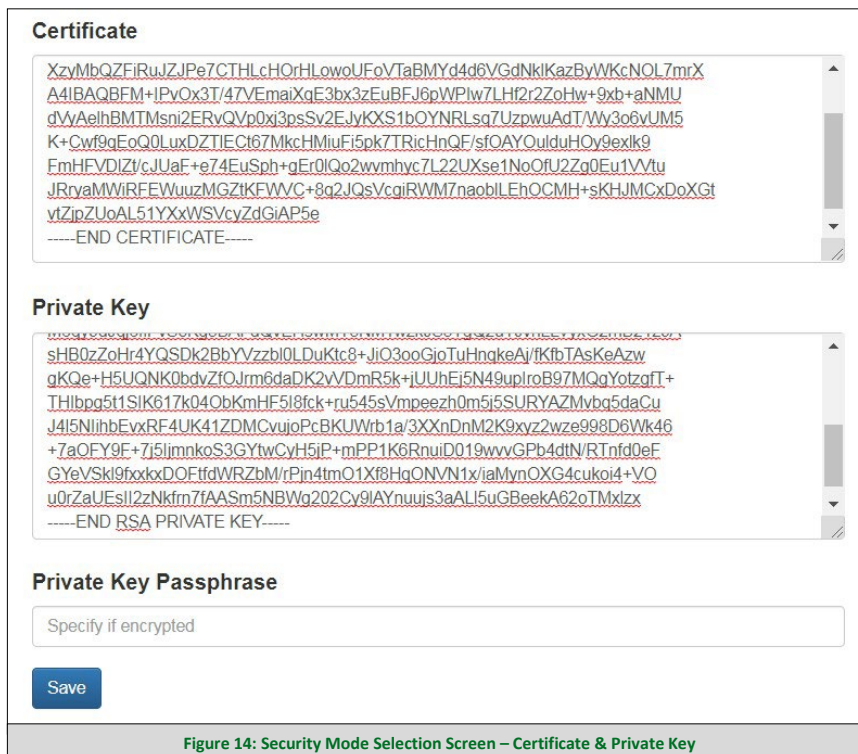
On the first login to the FieldServer, the following screen will appear that allows the user to select which mode the FieldServer should use.



9.9. HTTPS with Own Trusted TLS Certificate

This is the recommended selection and the most secure. Please contact your IT department to find out if you can obtain a TLS certificate from your company before proceeding with the Own Trusted TLS Certificate option.

- Once this option is selected, the Certificate, Private Key and Private Key Passphrase fields will appear under the mode selection.



- Copy and paste the Certificate and Private Key text into their respective fields. If the Private Key is encrypted type in the associated Passphrase.
- Click Save.
- A “Redirecting” message will appear. After a short time, the FieldServer GUI will open.

Chapter - 10. APPENDIX - INPUT / OUTPUT POINTS / STATES

10.1. Sensor Input Points

Sensor numbering is based upon the MCS-MAGNUM or SI16-AO4 (SI-Base and SI-EXT) hardware type board. Notable BACnet properties available: Units

Magnum	BACnet ID	BACnet Name	Modbus Register	N2
Sensor M-1	AI: 1	Refer to Config	*30001	*AI: 1
Sensor M-2	AI: 2	Refer to Config	*30002	*AI: 2
Sensor M-3	AI: 3	Refer to Config	*30003	*AI: 3
Sensor M-4	AI: 4	Refer to Config	*30004	*AI: 4
Sensor M-5	AI: 5	Refer to Config	*30005	*AI: 5
Sensor M-6	AI: 6	Refer to Config	*30006	*AI: 6
Sensor M-7	AI: 7	Refer to Config	*30007	*AI: 7
Sensor M-8	AI: 8	Refer to Config	*30008	*AI: 8
Sensor M-9	AI: 9	Refer to Config	*30009	*AI: 9
Sensor M-10	AI:10	Refer to Config	*30010	*AI: 10
Sensor M-11	AI:11	Refer to Config	*30011	*AI: 11
Sensor M-12	AI:12	Refer to Config	*30012	*AI: 12
Sensor M-13	AI:13	Refer to Config	*30013	*AI: 13
Sensor M-14	AI:14	Refer to Config	*30014	*AI: 14
Sensor M-15	AI:15	Refer to Config	*30015	*AI: 15
Sensor M-16	AI:16	Refer to Config	*30016	*AI: 16
Sensor 1-1	AI:17	Refer to Config	*30017	*AI: 17
Sensor 1-2	AI:18	Refer to Config	*30018	*AI: 18
Sensor 1-3	AI:19	Refer to Config	*30019	*AI: 19
Sensor 1-4	AI:20	Refer to Config	*30020	*AI: 20
Sensor 1-5	AI:21	Refer to Config	*30021	*AI: 21
Sensor 1-6	AI:22	Refer to Config	*30022	*AI: 22
Sensor 1-7	AI:23	Refer to Config	*30023	*AI: 23
Sensor 1-8	AI:24	Refer to Config	*30024	*AI: 24
Sensor 1-9	AI:25	Refer to Config	*30025	*AI: 25
Sensor 1-10	AI:26	Refer to Config	*30026	*AI: 26
Sensor 1-11	AI:27	Refer to Config	*30027	*AI: 27
Sensor 1-12	AI:28	Refer to Config	*30028	*AI: 28
Sensor 1-13	AI:29	Refer to Config	*30029	*AI: 29
Sensor 1-14	AI:30	Refer to Config	*30030	*AI: 30
Sensor 1-15	AI:31	Refer to Config	*30031	*AI: 31
Sensor 1-16	AI:32	Refer to Config	*30032	*AI: 32
Sensor 2-1	AI:33	Refer to Config	*30033	*AI: 33
Sensor 2-2	AI:34	Refer to Config	*30034	*AI: 34
Sensor 2-3	AI:35	Refer to Config	*30035	*AI: 35
Sensor 2-4	AI:36	Refer to Config	*30036	*AI: 36
Sensor 2-5	AI:37	Refer to Config	*30037	*AI: 37
Sensor 2-6	AI:38	Refer to Config	*30038	*AI: 38
Sensor 2-7	AI:39	Refer to Config	*30039	*AI: 39
Sensor 2-8	AI:40	Refer to Config	*30040	*AI: 40

Magnum	BACnet ID	BACnet Name	Modbus Register	N2
Sensor 2-9	AI:41	Refer to Config	*30041	*AI: 41
Sensor 2-10	AI:42	Refer to Config	*30042	*AI: 42
Sensor 2-11	AI:43	Refer to Config	*30043	*AI: 43
Sensor 2-12	AI:44	Refer to Config	*30044	*AI: 44
Sensor 2-13	AI:45	Refer to Config	*30045	*AI: 45
Sensor 2-14	AI:46	Refer to Config	*30046	*AI: 46
Sensor 2-15	AI:47	Refer to Config	*30047	*AI: 47
Sensor 2-16	AI:48	Refer to Config	*30048	*AI: 48
Sensor 3-1	AI:49	Refer to Config	*30049	*AI:49
Sensor 3-2	AI:50	Refer to Config	*30050	*AI: 50
Sensor 3-3	AI:51	Refer to Config	*30051	*AI: 51
Sensor 3-4	AI:52	Refer to Config	*30052	*AI: 52
Sensor 3-5	AI:53	Refer to Config	*30053	*AI: 53
Sensor 3-6	AI:54	Refer to Config	*30054	*AI: 54
Sensor 3-7	AI:55	Refer to Config	*30055	*AI: 55
Sensor 3-8	AI:56	Refer to Config	*30056	*AI: 56
Sensor 3-9	AI:57	Refer to Config	*30057	*AI: 57
Sensor 3-10	AI:58	Refer to Config	*30058	*AI: 58
Sensor 3-11	AI:59	Refer to Config	*30059	*AI: 59
Sensor 3-12	AI:60	Refer to Config	*30060	*AI: 60
Sensor 3-13	AI:61	Refer to Config	*30061	*AI: 61
Sensor 3-14	AI:62	Refer to Config	*30062	*AI: 62
Sensor 3-15	AI:63	Refer to Config	*30063	*AI: 63
Sensor 3-16	AI:64	Refer to Config	*30064	*AI: 64
Sensor 4-1	AI:65	Refer to Config	*30065	*AI: 65
Sensor 4-2	AI:66	Refer to Config	*30066	*AI: 66
Sensor 4-3	AI:67	Refer to Config	*30067	*AI: 67
Sensor 4-4	AI:68	Refer to Config	*30068	*AI: 68
Sensor 4-5	AI:69	Refer to Config	*30069	*AI: 69
Sensor 4-6	AI:70	Refer to Config	*30070	*AI: 70
Sensor 4-7	AI:71	Refer to Config	*30071	*AI: 71
Sensor 4-8	AI:72	Refer to Config	*30072	*AI: 72
Sensor 4-9	AI:73	Refer to Config	*30073	*AI: 73
Sensor 4-10	AI:74	Refer to Config	*30074	*AI: 74
Sensor 4-11	AI:75	Refer to Config	*30075	*AI: 75
Sensor 4-12	AI:76	Refer to Config	*30076	*AI: 76
Sensor 4-13	AI:77	Refer to Config	*30077	*AI: 77
Sensor 4-14	AI:78	Refer to Config	*30078	*AI: 78
Sensor 4-15	AI:79	Refer to Config	*30079	*AI: 79
Sensor 4-16	AI:80	Refer to Config	*30080	*AI: 80

*- Indicates value multiplied by 10 to include one decimal place. (I.e. BMS value of 500 indicates actual value 50.0)

10.2. Relay Output Points

Relay Output points are read-only. Output numbering is based upon MCS-RO-10 (MCS-RO BASE, MCS-RO-EXT) hardware type board.

Magnum	BACnet ID	BACnet Name	Modbus	N2
Relay M-1	BO: 1	Refer to Config	00001	BO: 1
Relay M-2	BO: 2	Refer to Config	00002	BO: 2
Relay M-3	BO: 3	Refer to Config	00003	BO: 3
Relay M-4	BO: 4	Refer to Config	00004	BO: 4
Relay M-5	BO: 5	Refer to Config	00005	BO: 5
Relay M-6	BO: 6	Refer to Config	00006	BO: 6
Relay M-7	BO: 7	Refer to Config	00007	BO: 7
Relay M-8	BO: 8	Refer to Config	00008	BO: 8
Relay M-9	BO: 9	Refer to Config	00009	BO: 9
Relay M-10	BO:10	Refer to Config	00010	BO: 10
Relay 1-1	BO:11	Refer to Config	00011	BO: 11
Relay 1-2	BO:12	Refer to Config	00012	BO: 12
Relay 1-3	BO:13	Refer to Config	00013	BO: 13
Relay 1-4	BO:14	Refer to Config	00014	BO: 14
Relay 1-5	BO:15	Refer to Config	00015	BO: 15
Relay 1-6	BO:16	Refer to Config	00016	BO: 16
Relay 1-7	BO:17	Refer to Config	00017	BO: 17
Relay 1-8	BO:18	Refer to Config	00018	BO: 18
Relay 1-9	BO:19	Refer to Config	00019	BO: 19
Relay 1- 10	BO:20	Refer to Config	00020	BO: 20
Relay 2-1	BO:21	Refer to Config	00021	BO: 21
Relay 2-2	BO:22	Refer to Config	00022	BO: 22
Relay 2-3	BO:23	Refer to Config	00023	BO: 23
Relay 2-4	BO:24	Refer to Config	00024	BO: 24
Relay 2-5	BO:25	Refer to Config	00025	BO: 25
Relay 2-6	BO:26	Refer to Config	00026	BO: 26
Relay 2-7	BO:27	Refer to Config	00027	BO: 27
Relay 2-8	BO:28	Refer to Config	00028	BO: 28
Relay 2-9	BO:29	Refer to Config	00029	BO: 29
Relay 2-10	BO:30	Refer to Config	00030	BO: 30
Relay 3-1	BO:31	Refer to Config	00031	BO: 31
Relay 3-2	BO:32	Refer to Config	00032	BO: 32
Relay 3-3	BO:33	Refer to Config	00033	BO: 33
Relay 3-4	BO:34	Refer to Config	00034	BO: 34
Relay 3-5	BO:35	Refer to Config	00035	BO: 35
Relay 3- 6	BO:36	Refer to Config	00036	BO: 36
Relay 3-7	BO:37	Refer to Config	00037	BO: 37
Relay 3-8	BO:38	Refer to Config	00038	BO: 38
Relay 3-9	BO:39	Refer to Config	00039	BO: 39
Relay 3-10	BO:40	Refer to Config	00040	BO: 40

Magnum	BACnet ID	BACnet Name	Modbus	N2
Relay 4-1	BO:41	Refer to Config	00041	BO: 41
Relay 4-2	BO:42	Refer to Config	00042	BO: 42
Relay 4-3	BO:43	Refer to Config	00043	BO: 43
Relay 4-4	BO:44	Refer to Config	00044	BO: 44
Relay 4-5	BO:45	Refer to Config	00045	BO: 45
Relay 4-6	BO:46	Refer to Config	00046	BO: 46
Relay 4-7	BO:47	Refer to Config	00047	BO: 47
Relay 4-8	BO:48	Refer to Config	00048	BO: 48
Relay 4-9	BO:49	Refer to Config	00049	BO: 49
Relay 4 -10	BO:50	Refer to Config	00050	BO: 50
Relay 5-1	BO:51	Refer to Config	00051	BO: 51
Relay 5-2	BO:52	Refer to Config	00052	BO: 52
Relay 5-3	BO:53	Refer to Config	00053	BO: 53
Relay 5-4	BO:54	Refer to Config	00054	BO: 54
Relay 5-5	BO:55	Refer to Config	00055	BO: 55
Relay 5-6	BO:56	Refer to Config	00056	BO: 56
Relay 5-7	BO:57	Refer to Config	00057	BO: 57
Relay 5-8	BO:58	Refer to Config	00058	BO: 58
Relay 5-9	BO:59	Refer to Config	00059	BO: 59
Relay 5 -10	BO:60	Refer to Config	00060	BO: 60
Relay 6-1	BO:61	Refer to Config	00061	BO: 61
Relay 6-2	BO:62	Refer to Config	00062	BO: 62
Relay 6-3	BO:63	Refer to Config	00063	BO: 63
Relay 6-4	BO:64	Refer to Config	00064	BO: 64
Relay 6-5	BO:65	Refer to Config	00065	BO: 65
Relay 6- 6	BO:66	Refer to Config	00066	BO: 66
Relay 6-7	BO:67	Refer to Config	00067	BO: 67
Relay 6-8	BO:68	Refer to Config	00068	BO: 68
Relay 6-9	BO:69	Refer to Config	00069	BO: 69
Relay 6-10	BO:70	Refer to Config	00760	BO: 70
Relay 7-1	BO:71	Refer to Config	00071	BO: 71
Relay 7-2	BO:72	Refer to Config	00072	BO: 72
Relay 7-3	BO:73	Refer to Config	00073	BO: 73
Relay 7-4	BO:74	Refer to Config	00074	BO: 74
Relay 7-5	BO:75	Refer to Config	00075	BO: 75
Relay 7-6	BO:76	Refer to Config	00076	BO: 76
Relay 7-7	BO:77	Refer to Config	00077	BO: 77
Relay 7-8	BO:78	Refer to Config	00078	BO: 78
Relay 7-9	BO:79	Refer to Config	00079	BO: 79
Relay 7-10	BO:80	Refer to Config	00070	BO: 80

*- Indicates value multiplied by 10 to include one decimal place. (I.e. BMS value of 500 indicates actual value 50.0)

10.3. ANALOG Output Points

Analog Output Points are read-only. Output numbering is based upon SI16-AO4 (SI-Base and SI-EXT) hardware type board. Notable BACnet properties available: Units

Magnum	BACnet ID	BACnet Name	Modbus Register	N2
Analog Out M-1	AO:1	Refer to Config	*30201	*AO: 1
Analog Out M-2	AO:2	Refer to Config	*30202	*AO: 2
Analog Out M-3	AO:3	Refer to Config	*30203	*AO: 3
Analog Out M-4	AO:4	Refer to Config	*30204	*AO: 4
Analog Out 1-1	AO:5	Refer to Config	*30205	*AO: 5
Analog Out 1-2	AO:6	Refer to Config	*30206	*AO: 6
Analog Out 1-3	AO:7	Refer to Config	*30207	*AO: 7
Analog Out 1-4	AO:7	Refer to Config	*30208	*AO: 8
Analog Out 2-1	AO:8	Refer to Config	*30209	*AO: 9
Analog Out 2-2	AO:10	Refer to Config	*30210	*AO: 10
Analog Out 2-3	AO:11	Refer to Config	*30211	*AO: 11
Analog Out 2-4	AO:12	Refer to Config	*30212	*AO: 12
Analog Out 3-1	AO:13	Refer to Config	*30213	*AO: 13
Analog Out 3-2	AO:14	Refer to Config	*30214	*AO: 14
Analog Out 3-3	AO:15	Refer to Config	*30215	*AO: 15
Analog Out 3-4	AO:16	Refer to Config	*30216	*AO: 16
Analog Out 4-1	AO:17	Refer to Config	*30217	*AO: 17
Analog Out 4-2	AO:18	Refer to Config	*30218	*AO: 18
Analog Out 4-3	AO:19	Refer to Config	*30219	*AO: 19
Analog Out 4-4	AO:20	Refer to Config	*30220	*AO: 20

*- Indicates value multiplied by 10 to include one decimal place. (I.e. BMS value of 500 indicates actual value 50.0)

10.4. Setpoints

Setpoints are read-only. Notable BACnet properties available: Units

Magnum	BACnet ID	BACnet Name	Modbus	N2
Setpoint #1	AV:0	STP# 1-<Setpoint name>	40301	ADF:1
Setpoint #21	AV:88	STP# 21-<Setpoint name>	40321	ADF:89
Setpoint #163	AV:230	STP# 163-<Setpoint name>	40463	ADF:231

10.5. Chiller/Compressor States

State values are read-only. Notable BACnet properties available: Number of States, State-Text (Contains character text of current state)

Magnum	BACnet ID	BACnet Name	Modbus Register	N2
Chiller Unit State	MV:0	CHILLER STATE	30306	BYT:1
Compressor #1 State	MV:1	COMPRESSOR #1 STATE	30307	BYT:2
Compressor #2 State	MV:2	COMPRESSOR #2 STATE	30308	BYT:3

Magnum	BACnet ID	BACnet Name	Modbus Register	N2
Compressor #3 State	MV:3	COMPRESSOR #3 STATE	30309	BYT:4
Compressor #4 State	MV:4	COMPRESSOR #4 STATE	30310	BYT:5
Compressor #5 State	MV:5	COMPRESSOR #5 STATE	30311	BYT:6
Compressor #6 State	MV:6	COMPRESSOR #6 STATE	30312	BYT:7
Compressor #7 State	MV:7	COMPRESSOR #7 STATE	30313	BYT:8
Compressor #8 State	MV:8	COMPRESSOR #8 STATE	30314	BYT:9
Compressor #9 State	MV:130	COMPRESSOR #9 STATE	30560	BYT:131
Compressor #10 State	MV:131	COMPRESSOR #10 STATE	30561	BYT:132
Compressor #11 State	MV:132	COMPRESSOR #11 STATE	30562	BYT:133
Compressor #12 State	MV:133	COMPRESSOR #12 STATE	30563	BYT:134
Compressor #13 State	MV:134	COMPRESSOR #13 STATE	30564	BYT:135
Compressor #14 State	MV:135	COMPRESSOR #14 STATE	30565	BYT:136
Compressor #15 State	MV:136	COMPRESSOR #15 STATE	30566	BYT:137
Compressor #16 State	MV:137	COMPRESSOR #16 STATE	30567	BYT:138
Compressor #17 State	MV:138	COMPRESSOR #17 STATE	30568	BYT:139
Compressor #18 State	MV:139	COMPRESSOR #18 STATE	30569	BYT:140
Compressor #19 State	MV:140	COMPRESSOR #19 STATE	30570	BYT:141
Compressor #20 State	MV:141	COMPRESSOR #20 STATE	30571	BYT:142

10.6. Other Points

These points are read-only.

Magnum	BACnet ID	BACnet Name	Modbus	N2
Wanted FLA%	AV:3	Wanted FLA%	30318	ADF:4
Steps Wanted	AV:4	Steps Wanted On	30315	ADF:5
Steps On	AV:5	Steps On	30316	ADF:6
Step Delay	AV:6	Step Delay	30317	ADF:7
Compressor #1 FLA%	AV:7	C1_FL A%	*30319	*ADF:8
Compressor #1 Sat Suction	AV:10	C1_Sat Suct	*30327	*ADF:11
Compressor #1 Sat Disch	AV:11	C1_Sat Disch	*30329	*ADF:12
Compressor #1 Disch SH	AV:12	C1_Disch SH	*30330	*ADF:13
Compressor #1 Suct SH	AV:13	C1_Suct SH	*30328	*ADF:14
Compressor #1 Oil Pres Diff	AV:63	C1_Oil Pres Diff	*30375	*ADF:64
Compressor #2 FLA%	AV:14	C2_FL A%	*30320	*ADF:15
Compressor #2 Sat Suction	AV:17	C2_Sat Suct	*30331	*ADF:18
Compressor #2 Sat Disch	AV:18	C2_Sat Disch	*30333	*ADF:19
Compressor #2 Disch SH	AV:19	C2_Disch SH	*30334	*ADF:20
Compressor #2 Suct SH	AV:20	C2_Suct SH	*30332	*ADF:21
Compressor #2 Oil Pres Diff	AV:64	C2_Oil Pres Diff	*30376	*ADF:65
Compressor #3 FLA%	AV:21	C3_FL A%	*30321	*ADF:22
Compressor #3 Sat Suction	AV:24	C3_Sat Suct	*30335	*ADF:25
Compressor #3 Sat Disch	AV:25	C3_Sat Disch	*30337	*ADF:26
Compressor #3 Disch SH	AV:26	C3_Disch SH	*30338	*ADF:27
Compressor #3 Suct SH	AV:27	C3_Suct SH	*30336	*ADF:28
Compressor #3 Oil Pres Diff	AV:65	C3_Oil Pres Diff	*30377	*ADF:66
Compressor #4 FLA%	AV:28	C4_FL A%	*30322	*ADF:29
Compressor #4 Sat Suction	AV:31	C4_Sat Suct	*30339	*ADF:32
Compressor #4 Sat Disch	AV:32	C4_Sat Disch	*30341	*ADF:33

Magnum	BACnet ID	BACnet Name	Modbus	N2
Compressor #4 Disch SH	AV:33	C4_Disch SH	*30342	*ADF:34
Compressor #4 Suct SH	AV:34	C4_Suct SH	*30340	*ADF:35
Compressor #4 Oil Pres Diff	AV:66	C4_Oil Pres Diff	*30378	*ADF:67
Compressor #5 FLA%	AV:35	C5_FLA%	*30323	*ADF:36
Compressor #5 Sat Suction	AV:38	C5_Sat Suct	*30343	*ADF:39
Compressor #5 Sat Disch	AV:39	C5_Sat Disch	*30345	*ADF:40
Compressor #5 Disch SH	AV:40	C5_Disch SH	*30346	*ADF:41
Compressor #5 Suct SH	AV:41	C5_Suct SH	*30344	*ADF:42
Compressor #5 Oil Pres Diff	AV:67	C5_Oil Pres Diff	*30379	*ADF:68
Compressor #6 FLA%	AV:42	C6_FLA%	*30324	*ADF:43
Compressor #6 Sat Suction	AV:45	C6_Sat Suct	*30347	*ADF:46
Compressor #6 Sat Disch	AV:46	C6_Sat Disch	*30349	*ADF:47
Compressor #6 Disch SH	AV:47	C6_Disch SH	*30350	*ADF:48
Compressor #6 Suct SH	AV:48	C6_Suct SH	*30348	*ADF:49
Compressor #6 Oil Pres Diff	AV:68	C6_Oil Pres Diff	*30380	*ADF:69
Compressor #7 FLA%	AV:49	C7_FLA%	*30325	*ADF:50
Compressor #7 Sat Suction	AV:52	C7_Sat Suct	*30351	*ADF:53
Compressor #7 Sat Disch	AV:53	C7_Sat Disch	*30353	*ADF:54
Compressor #7 Disch SH	AV:54	C7_Disch SH	*30354	*ADF:55
Compressor #7 Suct SH	AV:55	C7_Suct SH	*30352	*ADF:56
Compressor #7 Oil Pres Diff	AV:69	C7_Oil Pres Diff	*30381	*ADF:70
Compressor #8 FLA%	AV:56	C8_FLA%	*30326	*ADF:57
Compressor #8 Sat Suction	AV:59	C8_Sat Suct	*30352	*ADF:53
Compressor #8 Sat Suction	AV:59	C8_Sat Suct	*30355	*ADF:60
Compressor #8 Sat Disch	AV:60	C8_Sat Disch	*30357	*ADF:61
Compressor #8 Disch SH	AV:61	C8_Disch SH	*30358	*ADF:62
Compressor #8 Suct SH	AV:62	C8_Suct SH	*30356	*ADF:63
Compressor #8 Oil Pres Diff	AV:70	C8_Oil Pres Diff	*30382	*ADF:71
Compressor #9 FLA%	AV:440	C9_FLA%	*30572	*ADF:441
Compressor #9 Sat Suction	AV: 443	C9_Sat Suct	*30584	*ADF: 442
Compressor #9 Sat Disch	AV: 444	C9_Sat Disch	*30586	*ADF: 443
Compressor #9 Disch SH	AV: 445	C9_Disch SH	*30587	*ADF: 444
Compressor #9 Suct SH	AV: 446	C9_Suct SH	*30585	*ADF: 445
Compressor #9 Oil Pres Diff	AV:524	C9_Oil Pres Diff	*30656	*ADF:525
Compressor #10 FLA%	AV:447	C10_FLA%	*30573	*ADF:448
Compressor #10 Sat Suction	AV: 450	C10_Sat Suct	*30588	*ADF: 451
Compressor #10 Sat Disch	AV: 451	C10_Sat Disch	*30590	*ADF: 452
Compressor #10 Disch SH	AV: 452	C10_Disch SH	*30591	*ADF: 453
Compressor #10 Suct SH	AV: 453	C10_Suct SH	*30589	*ADF: 454
Compressor #10 Oil Pres Diff	AV:525	C10_Oil Pres Diff	*30657	*ADF:526
Compressor #11 FLA%	AV:454	C11_FLA%	*30574	*ADF:455
Compressor #11 Sat Suction	AV: 457	C11_Sat Suct	*30592	*ADF: 458
Compressor #11 Sat Disch	AV: 458	C11_Sat Disch	*30594	*ADF: 459
Compressor #11 Disch SH	AV: 459	C11_Disch SH	*30595	*ADF: 460
Compressor #11 Suct SH	AV: 460	C11_Suct SH	*30593	*ADF: 461
Compressor #11 Oil Pres Diff	AV: 526	C11_Oil Pres Diff	*30658	*ADF: 527
Compressor #12 FLA%	AV: 461	C12_FLA%	*30575	*ADF: 462
Compressor #12 Sat Suction	AV: 464	C12_Sat Suct	*30596	*ADF: 465
Compressor #12 Sat Disch	AV: 465	C12_Sat Disch	*30598	*ADF: 466
Compressor #12 Disch SH	AV: 466	C12_Disch SH	*30599	*ADF: 467
Compressor #12 Suct SH	AV: 467	C12_Suct SH	*30597	*ADF: 468
Compressor #12 Oil Pres Diff	AV:527	C12_Oil Pres Diff	*30659	*ADF:528

Magnum	BACnet ID	BACnet Name	Modbus	N2
Compressor #13 FLA%	AV:468	C13_FLA%	*30576	*ADF:469
Compressor #13 Sat Suction	AV: 471	C13_Sat Suct	*30600	*ADF: 470
Compressor #13 Sat Disch	AV: 472	C13_Sat Disch	*30602	*ADF: 473
Compressor #13 Disch SH	AV: 473	C13_Disch SH	*30603	*ADF: 474
Compressor #13 Suct SH	AV: 474	C13_Suct SH	*30600	*ADF: 475
Compressor #13 Oil Pres Diff	AV: 528	C13_Oil Pres Diff	*30661	*ADF: 529
Compressor #14 FLA%	AV: 475	C14_FLA%	*30577	*ADF: 476
Compressor #14 Sat Suction	AV: 478	C14_Sat Suct	*30604	*ADF: 479
Compressor #14 Sat Disch	AV: 479	C14_Sat Disch	*30606	*ADF: 480
Compressor #14 Disch SH	AV: 480	C14_Disch SH	*30607	*ADF: 481
Compressor #14 Suct SH	AV: 481	C14_Suct SH	*30605	*ADF: 482
Compressor #14 Oil Pres Diff	AV: 529	C14_Oil Pres Diff	*30661	*ADF: 530
Compressor #15 FLA%	AV: 482	C15_FLA%	*30578	*ADF: 483
Compressor #15 Sat Suction	AV: 485	C15_Sat Suct	*30608	*ADF: 486
Compressor #15 Sat Disch	AV: 486	C15_Sat Disch	*30610	*ADF: 487
Compressor #15 Disch SH	AV: 487	C15_Disch SH	*30611	*ADF: 488
Compressor #15 Suct SH	AV: 488	C15_Suct SH	*30609	*ADF: 489
Compressor #15 Oil Pres Diff	AV: 530	C15_Oil Pres Diff	*3062	*ADF: 531
Compressor #16 FLA%	AV: 489	C16_FLA%	*30579	*ADF: 490
Compressor #16 Sat Suction	AV: 492	C16_Sat Suct	*30612	*ADF: 493
Compressor #16 Sat Disch	AV: 493	C16_Sat Disch	*30614	*ADF: 494
Compressor #16 Disch SH	AV: 494	C16_Disch SH	*30615	*ADF: 495
Compressor #16 Suct SH	AV: 495	C16_Suct SH	*30613	*ADF: 496
Compressor #16 Oil Pres Diff	AV: 531	C16_Oil Pres Diff	*30663	*ADF: 532
Compressor #17 FLA%	AV: 496	C17_FLA%	*30580	*ADF: 497
Compressor #17 Sat Suction	AV: 499	C17_Sat Suct	*30616	*ADF: 500
Compressor #17 Sat Disch	AV: 500	C17_Sat Disch	*30618	*ADF: 501
Compressor #17 Disch SH	AV: 501	C17_Disch SH	*30619	*ADF: 502
Compressor #17 Suct SH	AV: 502	C17_Suct SH	*30617	*ADF: 503
Compressor #17 Oil Pres Diff	AV: 532	C17_Oil Pres Diff	*30664	*ADF: 533
Compressor #18 FLA%	AV: 503	C18_FLA%	*30581	*ADF: 504
Compressor #18 Sat Suction	AV: 506	C18_Sat Suct	*30620	*ADF: 507
Compressor #18 Sat Disch	AV: 507	C18_Sat Disch	*30622	*ADF: 508
Compressor #18 Disch SH	AV: 508	C18_Disch SH	*30623	*ADF: 509
Compressor #18 Suct SH	AV: 509	C18_Suct SH	*30621	*ADF: 510
Compressor #18 Oil Pres Diff	AV: 533	C18_Oil Pres Diff	*30665	*ADF: 534
Compressor #19 FLA%	AV: 510	C19_FLA%	*30582	*ADF: 511
Compressor #19 Sat Suction	AV: 513	C19_Sat Suct	*30624	*ADF: 514
Compressor #19 Sat Disch	AV: 514	C19_Sat Disch	*30626	*ADF: 515
Compressor #19 Disch SH	AV: 515	C19_Disch SH	*30627	*ADF: 516
Compressor #19 Suct SH	AV: 516	C19_Suct SH	*30625	*ADF: 517
Compressor #19 Oil Pres Diff	AV: 534	C19_Oil Pres Diff	*30666	*ADF: 535
Compressor #20 FLA%	AV: 517	C20_FLA%	*30583	*ADF: 518
Compressor #20 Sat Suction	AV: 520	C20_Sat Suct	*30628	*ADF: 521
Compressor #20 Sat Disch	AV: 521	C20_Sat Disch	*30630	*ADF: 522
Compressor #20 Disch SH	AV: 522	C20_Disch SH	*30631	*ADF: 523
Compressor #20 Suct SH	AV: 523	C20_Suct SH	*30629	*ADF: 524
Compressor #20 Oil Pres Diff	AV: 535	C20_Oil Pres Diff	*30667	*ADF: 536

*- Indicates value multiplied by 10 to include one decimal place. (I.e. BMS value of 500 indicates actual value 50.0)

10.7. Network inputs to MCS-MAGNUM

The MCS-Magnum can receive changes from the network to enable or disable the Network Run/Stop, Network Target Reset (adjustments to the Cooling Target, Setpoint #1, based on Setpoint #21), Network Demand FLA, and Network Demand Steps.

The MCS-Magnum must be set up to accept these inputs. The configuration file must contain a Network Run/Stop, Network Target, Network Demand FLA, and Network Demand Steps sensors.

Magnum	BACnet ID	BACnet Name	Modbus	N2
Network Run/Stop	AV:246	Net_R/S	40201	BO:247
Network Target/Reset	AV:247	Net_Tar/Res	40202	AO:248
Network Demand/FLA	AV:248	Net_Demad_FLA	40204	AO:249
Network Demand/Steps	AV:249	Net_Demad_Steps	40205	AO:250

Note the following Information panel has a Network Run/Stop, and /or Network Target Reset sensors inputs indicated. This is an example of how MCS-Config must be setup in the General Information and Evaporator Information panels.

The sensors must be set up as follows (This is only an example)

1-1	BMS R/S	BMS RUN	Not Used	Open=OFF	OFF/ON	Not Used	Not Used	Auto
1-2	BMS TRS	BMS CW RSET	0	0	Not Used	Not Used	Not Used	Auto
1-3	BMSFLA	BMS Dmd FLA%	0	0	Not Used	Not Used	Not Used	Auto
1-4	BMSSteps	BMS Dmd Step	0	0	Not Used	Not Used	Not Used	Auto

10.8. MCS Capacity Control State Chart

The values exposed in the capacity state relate to the descriptions in this table.

State Number	Description
0	"UNIT IN POWER UP"
1	RESERVED
2	"NO RUN- I/O LOST"
3	"UNIT IN LOCKOUT "
4	"UNIT IS OFF "
5	"UNIT IS HOLDING "
6	"UNIT UNLOADING "
7	"UNIT IS LOADING "
8	"NO RUN-SAFETY "
9	"RUN/STOP SW OFF "
10	"SCHEDULED OFF "
11	"OFF-NO FLOW(s)"

12	RESERVED
13	"AMBIENT OFF "
14	"PROCESS HEAT OFF"
15	"UNIT IS UNLOADED"
16	"UNIT IS LOADED "
17	"OFF TMP-ICE MADE "
18	"ECONOMIZER ONLY "
19	"SWITCHING MODES "
20	"UNIT SMOKE UNLDG"
21	"UNIT OFF UNLDING"
22	"UNIT DMD UNLDING"
23	"UNIT HEAT UNLDNG"

10.9. MCS Compressor Control State Chart

The values expressed in the compressor state relate to the descriptions in this table.

State Number	Description
0	"LOST IO LOCKED"
1	"CMP LOCKED OUT"
2	"SWITCHED OFF "
3	"CMP PUMP DOWN "
4	"CMP ANTICYCLE "
5	"CMP OFF/READY "
6	"OIL PMP LUBING"
7	"CMP IS RUNNING"
8	"CMP UNLOADED "
9	"UNLD1/HGBP OFF"
10	"PART LOADED "
11	"CMP IS HOLDING"
12	"CMP IS LOADING"
13	"CMP IS UNLDING"
14	"CMP IS AT 100%"
15	"FAST UNLOADING"
16	"LO SUCT UNLOAD"
17	"LO SUCT HOLD "
18	"HI DISC UNLOAD"
19	"HI DISC HOLD "

State Number	Description
20	"SAFETY TRIPPED"
21	"LO TEMP UNLOAD"
22	"LO TEMP HOLD "
23	"HI AMP HOLD "
24	"HI DIS TMP HLD"
25	"CMP IS AT 40% "
26	"CMP IS AT 70% "
27	"HI WATER HOLD "
28	"EXTRA 70% STEP "
29	"OFF-LO OIL TMP "
30	"HI AMP UNLDING "
31	"DEF PREPMP OUT "
32	"DEFROSTING "
33	"DEF PUMP DOWN "
34	"HI TEMP UNLOAD "
35	"HI TEMP HOLD "
36	"SCROLL STEP1 "
37	"SCROLL STEP2 "
38	"SCROLL STEP3 "
39	"SCROLL STEP4 "

Chapter - 11. ALARMS- UNIT/COMPRESSOR / MODBUS

11.1. Unit Alarms

Unit Alarms	Modbus Info		BACnet Object Identifier		V17 Firmware		
	Function Type	Register	BACnet Object Type	Address	Relay output	Modbus	BACnet
EMERGENCY_STOP	04:input Register	31011	AV: Analog Value	1296	HVAC//RTU	HVAC//RTU	HVAC//RTU
FREEZE_PROTECTION	04:input Register	31012	AV: Analog Value	1297	HVAC//RTU	HVAC//RTU	HVAC//RTU
HIGH_SUMP_TEMP	04:input Register	31013	AV: Analog Value	1298	HVAC//RTU	HVAC//RTU	HVAC//RTU
PHASE_LOSS	04:input Register	31014	AV: Analog Value	1299	HVAC//RTU	HVAC//RTU	HVAC//RTU
HIGH_DELTA_TEMP	04:input Register	31015	AV: Analog Value	1300	HVAC/	HVAC/	HVAC/
VOLTAGE	04:input Register	31016	AV: Analog Value	1301	HVAC//RTU	HVAC//RTU	HVAC//RTU
SMOKE_ALARM	04:input Register	31017	AV: Analog Value	1302	No Support	No Support	No Support
FIRE_ALARM	04:input Register	31018	AV: Analog Value	1303	HVAC//RTU	HVAC//RTU	HVAC//RTU
COMMON_CONDENSER	04:input Register	31019	AV: Analog Value	1304	HVAC//RTU	HVAC//RTU	HVAC//RTU
CIRCUIT_CONDENSER	04:input Register	31020	AV: Analog Value	1305	HVAC//RTU	HVAC//RTU	HVAC//RTU
Fuild Cooler Fan Fault	04:input Register	31021	AV: Analog Value	1306	HVAC//RTU	HVAC//RTU	HVAC//RTU
PUMP_FAILURE	04:input Register	31022	AV: Analog Value	1307	HVAC//RTU	HVAC//RTU	HVAC//RTU
PROCESS_PUMP_FAILURE	04:input Register	31023	AV: Analog Value	1308	HVAC//RTU	HVAC//RTU	HVAC//RTU
PROCESS_PUMP_LOW_FLOW	04:input Register	31024	AV: Analog Value	1309	HVAC	HVAC	HVAC
BOILER_PUMP_FAULT	04:input Register	31025	AV: Analog Value	1310	HVAC	HVAC	HVAC
BOILER_PUMP_HIGH_AMPS	04:input Register	31026	AV: Analog Value	1311	HVAC	HVAC	HVAC
BOILER_PUMP_LOW_AMPS	04:input Register	31027	AV: Analog Value	1312	HVAC	HVAC	HVAC
BOILER_STAGE_FAULT	04:input Register	31028	AV: Analog Value	1313	HVAC	HVAC	HVAC
HIGH_WATER_TEMP	04:input Register	31029	AV: Analog Value	1314	HVAC//RTU	HVAC//RTU	HVAC//RTU
OVERHEAT_PROTECTION	04:input Register	31030	AV: Analog Value	1315	HVAC	HVAC	HVAC
RTU_SUPPLY_DUCT	04:input Register	31031	AV: Analog Value	1316	RTU	RTU	RTU
RTU_EXHAUST_FAN_FAULT	04:input Register	31032	AV: Analog Value	1317	RTU	RTU	RTU
RTU_MOD_GAS_HEATER_FAULT	04:input Register	31033	AV: Analog Value	1318	RTU	RTU	RTU
RTU_SCR_HEATER_FAULT	04:input Register	31034	AV: Analog Value	1319	RTU	RTU	RTU
RTU_CLOGGED_FILTER	04:input Register	31035	AV: Analog Value	1320	RTU	RTU	RTU
RTU_HIGH_STATIC_PRESSURE	04:input Register	31036	AV: Analog Value	1321	RTU	RTU	RTU
RTU_LOW_STATIC_PRESSURE	04:input Register	31037	AV: Analog Value	1322	RTU	RTU	RTU
BOILER_PUMP_FLOW_FAULT	04:input Register	31038	AV: Analog Value	1323	HVAC	HVAC	HVAC
Leaving Water Temp. Sensor Fault	04:input Register	31039	AV: Analog Value	1324	HVAC//RTU	HVAC//RTU	HVAC//RTU
Reutr Water Temp. Sensor Fault	04:input Register	31040	AV: Analog Value	1325	HVAC//RTU	HVAC//RTU	HVAC//RTU
Evap Water Pressure In #1 Sensor Fault	04:input Register	31041	AV: Analog Value	1326	HVAC//RTU	HVAC//RTU	HVAC//RTU
Evap Water Pressure Out #1 Sensor Fault	04:input Register	31042	AV: Analog Value	1327	HVAC//RTU	HVAC//RTU	HVAC//RTU
Evap Water Pressure In #2 Sensor Fault	04:input Register	31043	AV: Analog Value	1328	HVAC//RTU	HVAC//RTU	HVAC//RTU
Evap Water Pressure Out #2 Sensor Fault	04:input Register	31044	AV: Analog Value	1329	HVAC//RTU	HVAC//RTU	HVAC//RTU
RTU Zone Temp. Sensor Fault	04:input Register	31045	AV: Analog Value	1330	HVAC//RTU	HVAC//RTU	HVAC//RTU
RTU Ambient Temp. Sensor Fault	04:input Register	31046	AV: Analog Value	1331	HVAC//RTU	HVAC//RTU	HVAC//RTU

11.2. Compressor Alarms

Compressor Alarms	V17 Firmware Supporting Alarm Indicators		
	Relay output	Modbus	BACnet
LOW_SUCTION	HVAC/RTU	HVAC/RTU	HVAC/RTU
UNSAFE_SUCTION	HVAC/RTU	HVAC/RTU	HVAC/RTU
HIGH_DISCHARGE_PSI	HVAC/RTU	HVAC/RTU	HVAC/RTU
HIGH_DISCHARGE_TEMP	HVAC/RTU	HVAC/RTU	HVAC/RTU
LOW_OIL_PSI	HVAC/RTU	HVAC/RTU	HVAC/RTU
UNSAFE_OIL_PSI	HVAC/RTU	HVAC/RTU	HVAC/RTU
HIGH_OIL_TEMP	HVAC/RTU	HVAC/RTU	HVAC/RTU
DIRTY_OIL_FILTER	HVAC/RTU	HVAC/RTU	HVAC/RTU
HIGH_OIL_SEAL_TEMP	HVAC/RTU	HVAC/RTU	HVAC/RTU
NO_CRANK_CASE_HEATER_PROOF	Not Supported	Not Supported	Not Supported
HIGH_AMPS	HVAC/RTU	HVAC/RTU	HVAC/RTU
LOW_AMPS	HVAC/RTU	HVAC/RTU	HVAC/RTU
HIGH_MOTOR_TEMP	HVAC/RTU	HVAC/RTU	HVAC/RTU
NO_COMPRESSOR_PROOF	HVAC/RTU	HVAC/RTU	HVAC/RTU
LOW_OIL_SUPERHEAT (Not Supported -no code)	Not Supported	Not Supported	Not Supported
PUMP_DOWN	HVAC/RTU	HVAC/RTU	HVAC/RTU
LOW_DISCHARGE_PSI	HVAC/RTU	HVAC/RTU	HVAC/RTU
LUBE_OIL_TEMP	HVAC/RTU	HVAC/RTU	HVAC/RTU
LUBE_OIL_PSI	HVAC/RTU	HVAC/RTU	HVAC/RTU
LUBE_OIL_TIME	HVAC/RTU	HVAC/RTU	HVAC/RTU
REFRIGERATION_LEAK	HVAC/RTU	HVAC/RTU	HVAC/RTU
LOW_REFRIGERATION_TEMP	HVAC/RTU	HVAC/RTU	HVAC/RTU
TOO_MANY_PURGES	HVAC/RTU	HVAC/RTU	HVAC/RTU
EXCESS_PURGING_TIME	HVAC/RTU	HVAC/RTU	HVAC/RTU
PURGE_FLOAT_ERROR	Not Supported	Not Supported	Not Supported
LOW_DIFFERENTIAL_PSI_RATIO	HVAC/RTU	HVAC/RTU	HVAC/RTU
LOW_SUPERHEAT	HVAC/RTU	HVAC/RTU	HVAC/RTU
LOW_DISCHARGE_SUPERHEAT	HVAC/RTU	HVAC/RTU	HVAC/RTU
LOST_LEG_PART_WINDING	HVAC/RTU	HVAC/RTU	HVAC/RTU
HIGH_PARTS_PER_MILLION_LEAK	Not Supported	Not Supported	Not Supported
HIGH_REFRIGERATION_LEVEL	HVAC/RTU	HVAC/RTU	HVAC/RTU
LOW_OIL_LEVEL	HVAC/RTU	HVAC/RTU	HVAC/RTU
NO_FLOW	Not Supported	Not Supported	Not Supported
OIL_FLOW	HVAC/RTU	HVAC/RTU	HVAC/RTU
COMPRESSOR_SPEED_FAULT	HVAC/RTU	HVAC/RTU	HVAC/RTU
LOW_TANDEM_SUPERHEAT	Not Supported	Not Supported	Not Supported
HIGH_TANDEM_SUPERHEAT	Not Supported	Not Supported	Not Supported
EXCESS_SURGES	HVAC/RTU	HVAC/RTU	HVAC/RTU

Compressor Alarms	V17 Firmware Supporting Alarm Indicators		
	Relay output	Modbus	BACnet
HIGH_SUPERHEAT	HVAC/RTU	HVAC/RTU	HVAC/RTU
Suction Temperature Sensor Fault	HVAC/RTU	HVAC/RTU	HVAC/RTU

Compressor Alarms	V17 Firmware Supporting Alarm Indicators		
	Relay output	Modbus	BACnet
Discharge Temperature Sensor Fault	HVAC/RTU	HVAC/RTU	HVAC/RTU
Suction Pressure Sensor Fault	HVAC/RTU	HVAC/RTU	HVAC/RTU
Discharge Pressure Sensor Fault	HVAC/RTU	HVAC/RTU	HVAC/RTU
Oil Pressure Sensor Fault	HVAC/RTU	HVAC/RTU	HVAC/RTU
Oil Temperature Sensor Fault	HVAC/RTU	HVAC/RTU	HVAC/RTU
Motor Temperature Sensor Fault	HVAC/RTU	HVAC/RTU	HVAC/RTU
Evap Refrigerant Temperature Sensor Fault	HVAC/RTU	HVAC/RTU	HVAC/RTU
Evap Refrigerant Level Sensor Fault	HVAC/RTU	HVAC/RTU	HVAC/RTU
Oil Seal Temperature Sensor Fault	HVAC/RTU	HVAC/RTU	HVAC/RTU
Pre-Oil Filter Pressure Sensor Fault	HVAC/RTU	HVAC/RTU	HVAC/RTU
Circuit Leaving Water Sensor Fault	HVAC/RTU	HVAC/RTU	HVAC/RTU

11.3. MODBUS Alarms

Modbus Register		Comp.																			
		#1	#2	#3	#4	#5	#6	#7	#8	#9	#10	#11	#12	#13	#14	#15	#16	#17	#18	#19	#20
Alarms	Modbus Function Type	31201	31252	31303	31354	31405	31456	31507	31558	31609	31660	31711	31762	31813	31864	31915	31966	32017	32068	32119	32170
	04:input Register	31202	31253	31304	31355	31406	31457	31508	31559	31610	31661	31712	31763	31814	31865	31916	31967	32018	32069	32120	32171
	04:input Register	31203	31254	31305	31356	31407	31458	31509	31560	31611	31662	31713	31764	31815	31866	31917	31968	32019	32070	32121	32172
	04:input Register	31204	31255	31306	31357	31408	31459	31510	31561	31612	31663	31714	31765	31816	31867	31918	31969	32020	32071	32122	32173
	04:input Register	31205	31256	31307	31358	31409	31460	31511	31562	31613	31664	31715	31766	31817	31868	31919	31970	32021	32072	32123	32174
	04:input Register	31206	31257	31308	31359	31410	31461	31512	31563	31614	31665	31716	31767	31818	31869	31920	31971	32022	32073	32124	32175
	04:input Register	31207	31258	31309	31360	31411	31462	31513	31564	31615	31666	31717	31768	31819	31870	31921	31972	32023	32074	32125	32176
	04:input Register	31208	31259	31310	31361	31412	31463	31514	31565	31616	31667	31718	31769	31820	31871	31922	31973	32024	32075	32126	32177
	04:input Register	31209	31260	31311	31362	31413	31464	31515	31566	31617	31668	31719	31770	31821	31872	31923	31974	32025	32076	32127	32178
	04:input Register	31210	31261	31312	31363	31414	31465	31516	31567	31618	31669	31720	31771	31822	31873	31924	31975	32026	32077	32128	32179
	04:input Register	31211	31262	31313	31364	31415	31466	31517	31568	31619	31670	31721	31772	31823	31874	31925	31976	32027	32078	32129	32180
	04:input Register	31212	31263	31314	31365	31416	31467	31518	31569	31620	31671	31722	31773	31824	31875	31926	31977	32028	32079	32130	32181
	04:input Register	31213	31264	31315	31366	31417	31468	31519	31570	31621	31672	31723	31774	31825	31876	31927	31978	32029	32080	32131	32182
	04:input Register	31214	31265	31316	31367	31418	31469	31520	31571	31622	31673	31724	31775	31826	31877	31928	31979	32030	32081	32132	32183
	04:input Register	31215	31266	31317	31368	31419	31470	31521	31572	31623	31674	31725	31776	31827	31878	31929	31980	32031	32082	32133	32184
	04:input Register	31216	31267	31318	31369	31420	31471	31522	31573	31624	31675	31726	31777	31828	31879	31930	31981	32032	32083	32134	32185
	04:input Register	31217	31268	31319	31370	31421	31472	31523	31574	31625	31676	31727	31778	31829	31880	31931	31982	32033	32084	32135	32186
	04:input Register	31218	31269	31320	31371	31422	31473	31524	31575	31626	31677	31728	31779	31830	31881	31932	31983	32034	32085	32136	32187
	04:input Register	31219	31270	31321	31372	31423	31474	31525	31576	31627	31678	31729	31780	31831	31882	31933	31984	32035	32086	32137	32188
	04:input Register	31220	31271	31322	31373	31424	31475	31526	31577	31628	31679	31730	31781	31832	31883	31934	31985	32036	32087	32138	32189
	04:input Register	31221	31272	31323	31374	31425	31476	31527	31578	31629	31680	31731	31782	31833	31884	31935	31986	32037	32088	32139	32190
	04:input Register	31222	31273	31324	31375	31426	31477	31528	31579	31630	31681	31732	31783	31834	31885	31936	31987	32038	32089	32140	32191
	04:input Register	31223	31274	31325	31376	31427	31478	31529	31580	31631	31682	31733	31784	31835	31886	31937	31988	32039	32090	32141	32192
	04:input Register	31224	31275	31326	31377	31428	31479	31530	31581	31632	31683	31734	31785	31836	31887	31938	31989	32040	32091	32142	32193
	04:input Register	31225	31276	31327	31378	31429	31480	31531	31582	31633	31684	31735	31786	31837	31888	31939	31990	32041	32092	32143	32194
	04:input Register	31226	31277	31328	31379	31430	31481	31532	31583	31634	31685	31736	31787	31838	31889	31940	31991	32042	32093	32144	32195
	04:input Register	31227	31278	31329	31380	31431	31482	31533	31584	31635	31686	31737	31788	31839	31890	31941	31992	32043	32094	32145	32196
	04:input Register	31228	31279	31330	31381	31432	31483	31534	31585	31636	31687	31738	31789	31840	31891	31942	31993	32044	32095	32146	32197
	04:input Register	31229	31280	31331	31382	31433	31484	31535	31586	31637	31688	31739	31790	31841	31892	31943	31994	32045	32096	32147	32198
	04:input Register	31230	31281	31332	31383	31434	31485	31536	31587	31638	31689	31740	31791	31842	31893	31944	31995	32046	32097	32148	32199
	04:input Register	31231	31282	31333	31384	31435	31486	31537	31588	31639	31690	31741	31792	31843	31894	31945	31996	32047	32098	32149	32200
	04:input Register	31232	31283	31334	31385	31436	31487	31538	31589	31640	31691	31742	31793	31844	31895	31946	31997	32048	32099	32150	32201
	04:input Register	31233	31284	31335	31386	31437	31488	31539	31590	31641	31692	31743	31794	31845	31896	31947	31998	32049	32100	32151	32202
	04:input Register	31234	31285	31336	31387	31438	31489	31540	31591	31642	31693	31744	31795	31846	31897	31948	31999	32050	32101	32152	32203

Modbus Register

Alarms	Modbus Function Type	Comp. #1	Comp. #2	Comp. #3	Comp. #4	Comp. #5	Comp. #6	Comp. #7	Comp. #8	Comp. #9	Comp. #10	Comp. #11	Comp. #12	Comp. #13	Comp. #14	Comp. #15	Comp. #16	Comp. #17	Comp. #18	Comp. #19	Comp. #20
COMPRESSOR_SPEED_FAULT	04:input Register	31235	31286	31337	31388	31439	31490	31541	31592	31643	31694	31745	31796	31847	31898	31949	32000	32051	32102	32153	32204
LOW_TANDEM_SUPERHEAT	04:input Register	31236	31287	31338	31389	31440	31491	31542	31593	31644	31695	31746	31797	31848	31899	31950	32001	32052	32103	32154	32205
HIGH_TANDEM_SUPERHEAT	04:input Register	31237	31288	31339	31390	31441	31492	31543	31594	31645	31696	31747	31798	31849	31900	31951	32002	32053	32104	32155	32206
EXCESS_SURGES	04:input Register	31238	31289	31340	31391	31442	31493	31544	31595	31646	31697	31748	31799	31850	31901	31952	32003	32054	32105	32156	32207
HIGH_SUPERHEAT	04:input Register	31239	31290	31341	31392	31443	31494	31545	31596	31647	31698	31749	31800	31851	31902	31953	32004	32055	32106	32157	32208
Suction Temperature Sensor Fault	04:input Register	31240	31291	31342	31393	31444	31495	31546	31597	31648	31699	31750	31801	31852	31903	31954	32005	32056	32107	32158	32209
Discharge Temperature Sensor Fault	04:input Register	31241	31292	31343	31394	31445	31496	31547	31598	31649	31700	31751	31802	31853	31904	31955	32006	32057	32108	32159	32210
Suction Pressure Sensor Fault	04:input Register	31242	31293	31344	31395	31446	31497	31548	31599	31650	31701	31752	31803	31854	31905	31956	32007	32058	32109	32160	32211
Discharge Pressure Sensor Fault	04:input Register	31243	31294	31345	31396	31447	31498	31549	31600	31651	31702	31753	31804	31855	31906	31957	32008	32059	32110	32161	32212
Oil Pressure Sensor Sensor Fault	04:input Register	31244	31295	31346	31397	31448	31499	31550	31601	31652	31703	31754	31805	31856	31907	31958	32009	32060	32111	32162	32213
Oil Temperature Sensor Fault	04:input Register	31245	31296	31347	31398	31449	31500	31551	31602	31653	31704	31755	31806	31857	31908	31959	32010	32061	32112	32163	32214
Motor Temperature Sensor Fault	04:input Register	31246	31297	31348	31399	31450	31501	31552	31603	31654	31705	31756	31807	31858	31909	31960	32011	32062	32113	32164	32215
Evap Refrigerant Temp. Sensor Fault	04:input Register	31247	31298	31349	31400	31451	31502	31553	31604	31655	31706	31757	31808	31859	31910	31961	32012	32063	32114	32165	32216
Evap Refrigerant Level Sensor Fault	04:input Register	31248	31299	31350	31401	31452	31503	31554	31605	31656	31707	31758	31809	31860	31911	31962	32013	32064	32115	32166	32217
Oil Seal Temperature Sensor Fault	04:input Register	31249	31300	31351	31402	31453	31504	31555	31606	31657	31708	31759	31810	31861	31912	31963	32014	32065	32116	32167	32218
Pre-Oil Filter Pressure Sensor Fault	04:input Register	31250	31301	31352	31403	31454	31505	31556	31607	31658	31709	31760	31811	31862	31913	31964	32015	32066	32117	32168	32219
Circuit Leaving Water Sensor Fault	04:input Register	31251	31302	31353	31404	31455	31506	31557	31608	31659	31710	31761	31812	31863	31914	31965	32016	32067	32118	32169	32220

BACnet Object Identifier

Alarms	BACnet Object Type	Comp. #1	Comp. #2	Comp. #3	Comp. #4	Comp. #5	Comp. #6	Comp. #7	Comp. #8	Comp. #9	Comp. #10	Comp. #11	Comp. #12	Comp. #13	Comp. #14	Comp. #15	Comp. #16	Comp. #17	Comp. #18	Comp. #19	Comp. #20
	Analog Value	1396	1447	1498	1549	1600	1651	1702	1753	1804	1855	1906	1957	2008	2059	2110	2161	2212	2263	2314	2365
	Analog Value	1397	1448	1499	1550	1601	1652	1703	1754	1805	1856	1907	1958	2009	2060	2111	2162	2213	2264	2315	2366
	Analog Value	1398	1449	1500	1551	1602	1653	1704	1755	1806	1857	1908	1959	2010	2061	2112	2163	2214	2265	2316	2367
	Analog Value	1399	1450	1501	1552	1603	1654	1705	1756	1807	1858	1909	1960	2011	2062	2113	2164	2215	2266	2317	2368
	Analog Value	1400	1451	1502	1553	1604	1655	1706	1757	1808	1859	1910	1961	2012	2063	2114	2165	2216	2267	2318	2369
	Analog Value	1401	1452	1503	1554	1605	1656	1707	1758	1809	1860	1911	1962	2013	2064	2115	2166	2217	2268	2319	2370
	Analog Value	1402	1453	1504	1555	1606	1657	1708	1759	1810	1861	1912	1963	2014	2065	2116	2167	2218	2269	2320	2371
	Analog Value	1403	1454	1505	1556	1607	1658	1709	1760	1811	1862	1913	1964	2015	2066	2117	2168	2219	2270	2321	2372
	Analog Value	1404	1455	1506	1557	1608	1659	1710	1761	1812	1863	1914	1965	2016	2067	2118	2169	2220	2271	2322	2373
	Analog Value	1405	1456	1507	1558	1609	1660	1711	1762	1813	1864	1915	1966	2017	2068	2119	2170	2221	2272	2323	2374
	Analog Value	1406	1457	1508	1559	1610	1661	1712	1763	1814	1865	1916	1967	2018	2069	2120	2171	2222	2273	2324	2375
	Analog Value	1407	1458	1509	1560	1611	1662	1713	1764	1815	1866	1917	1968	2019	2070	2121	2172	2223	2274	2325	2376
	Analog Value	1408	1459	1510	1561	1612	1663	1714	1765	1816	1867	1918	1969	2020	2071	2122	2173	2224	2275	2326	2377
	Analog Value	1409	1460	1511	1562	1613	1664	1715	1766	1817	1868	1919	1970	2021	2072	2123	2174	2225	2276	2327	2378
	Analog Value	1410	1461	1512	1563	1614	1665	1716	1767	1818	1869	1920	1971	2022	2073	2124	2175	2226	2277	2328	2379
	Analog Value	1411	1462	1513	1564	1615	1666	1717	1768	1819	1870	1921	1972	2023	2074	2125	2176	2227	2278	2329	2380
	Analog Value	1412	1463	1514	1565	1616	1667	1718	1769	1820	1871	1922	1973	2024	2075	2126	2177	2228	2279	2330	2381
	Analog Value	1413	1464	1515	1566	1617	1668	1719	1770	1821	1872	1923	1974	2025	2076	2127	2178	2229	2280	2331	2382
	Analog Value	1414	1465	1516	1567	1618	1669	1720	1771	1822	1873	1924	1975	2026	2077	2128	2179	2230	2281	2332	2383
	Analog Value	1415	1466	1517	1568	1619	1670	1721	1772	1823	1874	1925	1976	2027	2078	2129	2180	2231	2282	2333	2384
	Analog Value	1416	1467	1518	1569	1620	1671	1722	1773	1824	1875	1926	1977	2028	2079	2130	2181	2232	2283	2334	2385
	Analog Value	1417	1468	1519	1570	1621	1672	1723	1774	1825	1876	1927	1978	2029	2080	2131	2182	2233	2284	2335	2386
	Analog Value	1418	1469	1520	1571	1622	1673	1724	1775	1826	1877	1928	1979	2030	2081	2132	2183	2234	2285	2336	2387
	Analog Value	1419	1470	1521	1572	1623	1674	1725	1776	1827	1878	1929	1980	2031	2082	2133	2184	2235	2286	2337	2388
	Analog Value	1420	1471	1522	1573	1624	1675	1726	1777	1828	1879	1930	1981	2032	2083	2134	2185	2236	2287	2338	2389
	Analog Value	1421	1472	1523	1574	1625	1676	1727	1778	1829	1880	1931	1982	2033	2084	2135	2186	2237	2288	2339	2390
	Analog Value	1422	1473	1524	1575	1626	1677	1728	1779	1830	1881	1932	1983	2034	2085	2136	2187	2238	2289	2340	2391
	Analog Value	1423	1474	1525	1576	1627	1678	1729	1780	1831	1882	1933	1984	2035	2086	2137	2188	2239	2290	2341	2392
	Analog Value	1424	1475	1526	1577	1628	1679	1730	1781	1832	1883	1934	1985	2036	2087	2138	2189	2240	2291	2342	2393
	Analog Value	1425	1476	1527	1578	1629	1680	1731	1782	1833	1884	1935	1986	2037	2088	2139	2190	2241	2292	2343	2394
	Analog Value	1426	1477	1528	1579	1630	1681	1732	1783	1834	1885	1936	1987	2038	2089	2140	2191	2242	2293	2344	2395
	Analog Value	1427	1478	1529	1580	1631	1682	1733	1784	1835	1886	1937	1988	2039	2090	2141	2192	2243	2294	2345	2396
	Analog Value	1428	1479	1530	1581	1632	1683	1734	1785	1836	1887	1938	1989	2040	2091	2142	2193	2244	2295	2346	2397
	Analog Value	1429	1480	1531	1582	1633	1684	1735	1786	1837	1888	1939	1990	2041	2092	2143	2194	2245	2296	2347	2398

BACnet Object Identifier

Alarms	BACnet Object Type	Comp. #1	Comp. #2	Comp. #3	Comp. #4	Comp. #5	Comp. #6	Comp. #7	Comp. #8	Comp. #9	Comp. #10	Comp. #11	Comp. #12	Comp. #13	Comp. #14	Comp. #15	Comp. #16	Comp. #17	Comp. #18	Comp. #19	Comp. #20
LOW_SUCTION	Analog Value	1396	1447	1498	1549	1600	1651	1702	1753	1804	1855	1906	1957	2008	2059	2110	2161	2212	2263	2314	2365
UNSAFE_SUCTION	Analog Value	1397	1448	1499	1550	1601	1652	1703	1754	1805	1856	1907	1958	2009	2060	2111	2162	2213	2264	2315	2366
HIGH_DISCHARGE_PSI	Analog Value	1398	1449	1500	1551	1602	1653	1704	1755	1806	1857	1908	1959	2010	2061	2112	2163	2214	2265	2316	2367
HIGH_DISCHARGE_TEMP	Analog Value	1399	1450	1501	1552	1603	1654	1705	1756	1807	1858	1909	1960	2011	2062	2113	2164	2215	2266	2317	2368
LOW_OIL_PSI	Analog Value	1400	1451	1502	1553	1604	1655	1706	1757	1808	1859	1910	1961	2012	2063	2114	2165	2216	2267	2318	2369
UNSAFE_OIL_PSI	Analog Value	1401	1452	1503	1554	1605	1656	1707	1758	1809	1860	1911	1962	2013	2064	2115	2166	2217	2268	2319	2370
HIGH_OIL_TEMP	Analog Value	1402	1453	1504	1555	1606	1657	1708	1759	1810	1861	1912	1963	2014	2065	2116	2167	2218	2269	2320	2371
DIRTY_OIL_FILTER	Analog Value	1403	1454	1505	1556	1607	1658	1709	1760	1811	1862	1913	1964	2015	2066	2117	2168	2219	2270	2321	2372
HIGH_OIL_SEAL_TEMP	Analog Value	1404	1455	1506	1557	1608	1659	1710	1761	1812	1863	1914	1965	2016	2067	2118	2169	2220	2271	2322	2373
NO_CRANK_CASE_HEATER_PROOF	Analog Value	1405	1456	1507	1558	1609	1660	1711	1762	1813	1864	1915	1966	2017	2068	2119	2170	2221	2272	2323	2374
HIGH_AMPS	Analog Value	1406	1457	1508	1559	1610	1661	1712	1763	1814	1865	1916	1967	2018	2069	2120	2171	2222	2273	2324	2375
LOW_AMPS	Analog Value	1407	1458	1509	1560	1611	1662	1713	1764	1815	1866	1917	1968	2019	2070	2121	2172	2223	2274	2325	2376
HIGH_MOTOR_TEMP	Analog Value	1408	1459	1510	1561	1612	1663	1714	1765	1816	1867	1918	1969	2020	2071	2122	2173	2224	2275	2326	2377
NO_COMPRESSOR_PROOF	Analog Value	1409	1460	1511	1562	1613	1664	1715	1766	1817	1868	1919	1970	2021	2072	2123	2174	2225	2276	2327	2378
LOW_OIL_SUPERHEAT	Analog Value	1410	1461	1512	1563	1614	1665	1716	1767	1818	1869	1920	1971	2022	2073	2124	2175	2226	2277	2328	2379
PUMP_DOWN	Analog Value	1411	1462	1513	1564	1615	1666	1717	1768	1819	1870	1921	1972	2023	2074	2125	2176	2227	2278	2329	2380
LOW_DISCHARGE_PSI	Analog Value	1412	1463	1514	1565	1616	1667	1718	1769	1820	1871	1922	1973	2024	2075	2126	2177	2228	2279	2330	2381
LUBE_OIL_TEMP	Analog Value	1413	1464	1515	1566	1617	1668	1719	1770	1821	1872	1923	1974	2025	2076	2127	2178	2229	2280	2331	2382
LUBE_OIL_PSI	Analog Value	1414	1465	1516	1567	1618	1669	1720	1771	1822	1873	1924	1975	2026	2077	2128	2179	2230	2281	2332	2383
LUBE_OIL_TIME	Analog Value	1415	1466	1517	1568	1619	1670	1721	1772	1823	1874	1925	1976	2027	2078	2129	2180	2231	2282	2333	2384
REFRIGERATION_LEAK	Analog Value	1416	1467	1518	1569	1620	1671	1722	1773	1824	1875	1926	1977	2028	2079	2130	2181	2232	2283	2334	2385
LOW_REFRIGERATION_TEMP	Analog Value	1417	1468	1519	1570	1621	1672	1723	1774	1825	1876	1927	1978	2029	2080	2131	2182	2233	2284	2335	2386
TOO_MANY_PURGES	Analog Value	1418	1469	1520	1571	1622	1673	1724	1775	1826	1877	1928	1979	2030	2081	2132	2183	2234	2285	2336	2387
EXCESS_PURGING_TIME	Analog Value	1419	1470	1521	1572	1623	1674	1725	1776	1827	1878	1929	1980	2031	2082	2133	2184	2235	2286	2337	2388
PURGE_FLOAT_ERROR	Analog Value	1420	1471	1522	1573	1624	1675	1726	1777	1828	1879	1930	1981	2032	2083	2134	2185	2236	2287	2338	2389
LOW_DIFFERENTIAL_PSI_RATIO	Analog Value	1421	1472	1523	1574	1625	1676	1727	1778	1829	1880	1931	1982	2033	2084	2135	2186	2237	2288	2339	2390
LOW_SUPERHEAT	Analog Value	1422	1473	1524	1575	1626	1677	1728	1779	1830	1881	1932	1983	2034	2085	2136	2187	2238	2289	2340	2391
LOW_DISCHARGE_SUPERHEAT	Analog Value	1423	1474	1525	1576	1627	1678	1729	1780	1831	1882	1933	1984	2035	2086	2137	2188	2239	2290	2341	2392
LOST_LEG_PART_WINDING	Analog Value	1424	1475	1526	1577	1628	1679	1730	1781	1832	1883	1934	1985	2036	2087	2138	2189	2240	2291	2342	2393
HIGH_PARTS_PER_MILLION_LEAK	Analog Value	1425	1476	1527	1578	1629	1680	1731	1782	1833	1884	1935	1986	2037	2088	2139	2190	2241	2292	2343	2394
HIGH_REFRIGERATION_LEVEL	Analog Value	1426	1477	1528	1579	1630	1681	1732	1783	1834	1885	1936	1987	2038	2089	2140	2191	2242	2293	2344	2395
LOW_OIL_LEVEL	Analog Value	1427	1478	1529	1580	1631	1682	1733	1784	1835	1886	1937	1988	2039	2090	2141	2192	2243	2294	2345	2396
NO_FLOW	Analog Value	1428	1479	1530	1581	1632	1683	1734	1785	1836	1887	1938	1989	2040	2091	2142	2193	2244	2295	2346	2397
OIL_FLOW	Analog Value	1429	1480	1531	1582	1633	1684	1735	1786	1837	1888	1939	1990	2041	2092	2143	2194	2245	2296	2347	2398

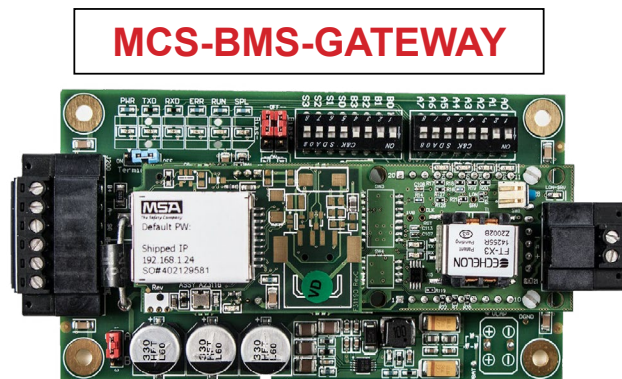
		BACnet Object Identifier																			
Alarms	BACnet Object Type	Comp. #1	Comp. #2	Comp. #3	Comp. #4	Comp. #5	Comp. #6	Comp. #7	Comp. #8	Comp. #9	Comp. #10	Comp. #11	Comp. #12	Comp. #13	Comp. #14	Comp. #15	Comp. #16	Comp. #17	Comp. #18	Comp. #19	Comp. #20
	COMPRESSOR_SPEED_FAULT	1430	1481	1532	1583	1634	1685	1736	1787	1838	1889	1940	1991	2042	2093	2144	2195	2246	2297	2348	2399
	LOW_TANDEM_SUPERHEAT	1431	1482	1533	1584	1635	1686	1737	1788	1839	1890	1941	1992	2043	2094	2145	2196	2247	2298	2349	2400
	HIGH_TANDEM_SUPERHEAT	1432	1483	1534	1585	1636	1687	1738	1789	1840	1891	1942	1993	2044	2095	2146	2197	2248	2299	2350	2401
	EXCESS_SURGES	1433	1484	1535	1586	1637	1688	1739	1790	1841	1892	1943	1994	2045	2096	2147	2198	2249	2300	2351	2402
	HIGH_SUPERHEAT	1434	1485	1536	1587	1638	1689	1740	1791	1842	1893	1944	1995	2046	2097	2148	2199	2250	2301	2352	2403
	Suction Temperature Sensor Fault	1435	1486	1537	1588	1639	1690	1741	1792	1843	1894	1945	1996	2047	2098	2149	2200	2251	2302	2353	2404
	Discharge Temperature Sensor Fault	1436	1487	1538	1589	1640	1691	1742	1793	1844	1895	1946	1997	2048	2099	2150	2201	2252	2303	2354	2405
	Suction Pressure Sensor Fault	1437	1488	1539	1590	1641	1692	1743	1794	1845	1896	1947	1998	2049	2100	2151	2202	2253	2304	2355	2406
	Discharge Pressure Sensor Fault	1438	1489	1540	1591	1642	1693	1744	1795	1846	1897	1948	1999	2050	2101	2152	2203	2254	2305	2356	2407
	Oil Pressure Sensor Sensor Fault	1439	1490	1541	1592	1643	1694	1745	1796	1847	1898	1949	2000	2051	2102	2153	2204	2255	2306	2357	2408
	Oil Temperature Sensor Fault	1440	1491	1542	1593	1644	1695	1746	1797	1848	1899	1950	2001	2052	2103	2154	2205	2256	2307	2358	2409
	Motor Temperature Sensor Fault	1441	1492	1543	1594	1645	1696	1747	1798	1849	1900	1951	2002	2053	2104	2155	2206	2257	2308	2359	2410
	Evap Refrigerant Temp. Sensor Fault	1442	1493	1544	1595	1646	1697	1748	1799	1850	1901	1952	2003	2054	2105	2156	2207	2258	2309	2360	2411
	Evap Refrigerant Level Sensor Fault	1443	1494	1545	1596	1647	1698	1749	1800	1851	1902	1953	2004	2055	2106	2157	2208	2259	2310	2361	2412
	Oil Seal Temperature Sensor Fault	1444	1495	1546	1597	1648	1699	1750	1801	1852	1903	1954	2005	2056	2107	2158	2209	2260	2311	2362	2413
	Pre-Oil Filter Presssure Sensor Fault	1445	1496	1547	1598	1649	1700	1751	1802	1853	1904	1955	2006	2057	2108	2159	2210	2261	2312	2363	2414
	Circuit Leaving Water Sensor Fault	1446	1497	1548	1599	1650	1701	1752	1803	1854	1905	1956	2007	2058	2109	2160	2211	2262	2313	2364	2415



APPLICATION NOTE

APP #085 **MCS-BMS-GATEWAY**

**A BMS GATEWAY is needed to support the following protocols;
BACnet IP, Modbus IP, BACnet MS/TP, Johnson N2
and LonTalk**



Current model stocked with LonTalk

STEPS FOR SETTING UP A MCS-BMS-GATEWAY

- **MCS-BMS-GATEWAY - NOT PROGRAMMED** when shipped from factory.
 1. Refer to page 2-4 - to setup files needed for Programming the MCS-BMS-GATEWAY using MCS-CONFIG.
 2. Refer to page 5 - for setting up and programming the MCS-BMS-GATEWAY
 3. Refer to wiring diagrams - pages 6, 7 for wiring at site for the correct protocol.
- **MCS-BMS-GATEWAY-P - PROGRAMMED** by factory or OEM prior to shipping with all protocols.
 1. Refer to wiring diagrams - pages 5, 6 for wiring at site for the correct protocol.

Any questions regarding this release, contact: support@mcscontrols.com

Micro Control Systems, Inc. 5580 Enterprise Parkway Fort Myers, Florida 33905
(239)694-0089 FAX: (239)694-0031 www.mcscontrols.com

Information contained in this document has been prepared by Micro Control Systems, Inc.
and is copyright © protected 2023.

Copying or distributing this document is prohibited unless expressly approved by MCS.

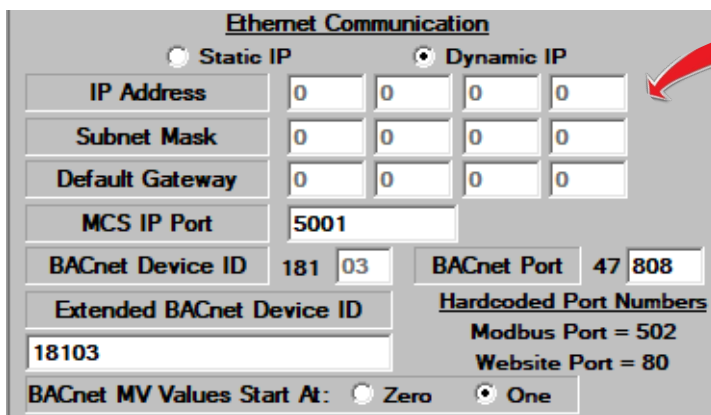
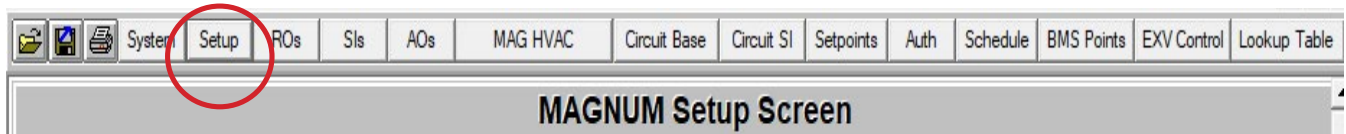
USING MCS-CONFIG

If you are licensed to use MCS-CONFIG follow the instruction below to start building a file for your MCS-BMS-GATEWAY.

MCS-Config version 18.13 or greater is required to create the csv files for Bacnet IP and Modbus IP.

CREATING CSV FILES USING MCS-CONFIG

1. Open MCS-Config program and load the config you are working on.
2. Click on Setup.



The screenshot shows the 'Ethernet Communication' setup screen. It includes fields for IP Address, Subnet Mask, Default Gateway, MCS IP Port (5001), BACnet Device ID (181 03), BACnet Port (47 808), Extended BACnet Device ID (18103), and BACnet MV Values Start At (Zero/One). There are also sections for Hardcoded Port Numbers: Modbus Port = 502 and Website Port = 80.

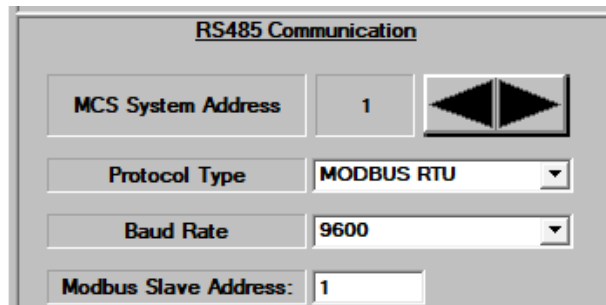
NOTE:

The Ethernet IP, ETC settings do not need to be set when using RS485 connection.



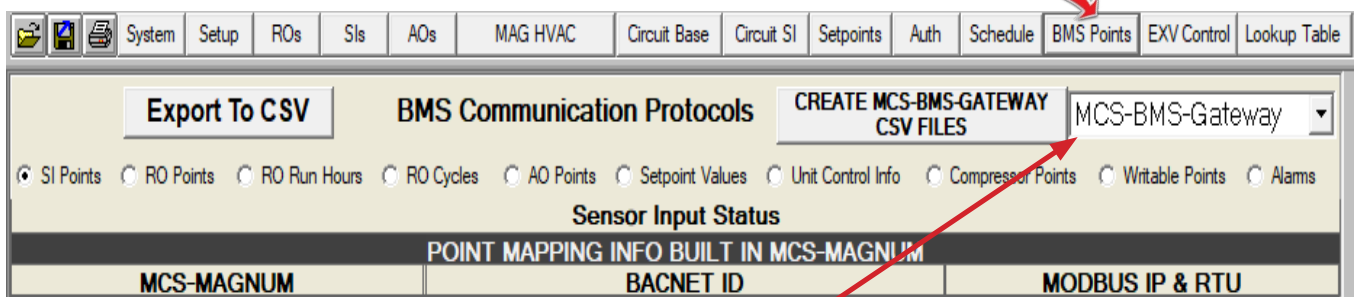
DO NOT CHANGE BACNET DEVICE ID ONCE CSV FILES ARE CREATED!!

Set the MCS-Magnum RS485 port up for Modbus RTU, baud rate 9600 and address 1.



The screenshot shows the 'RS485 Communication' setup screen. It includes fields for MCS System Address (1), Protocol Type (MODBUS RTU), Baud Rate (9600), and Modbus Slave Address (1).

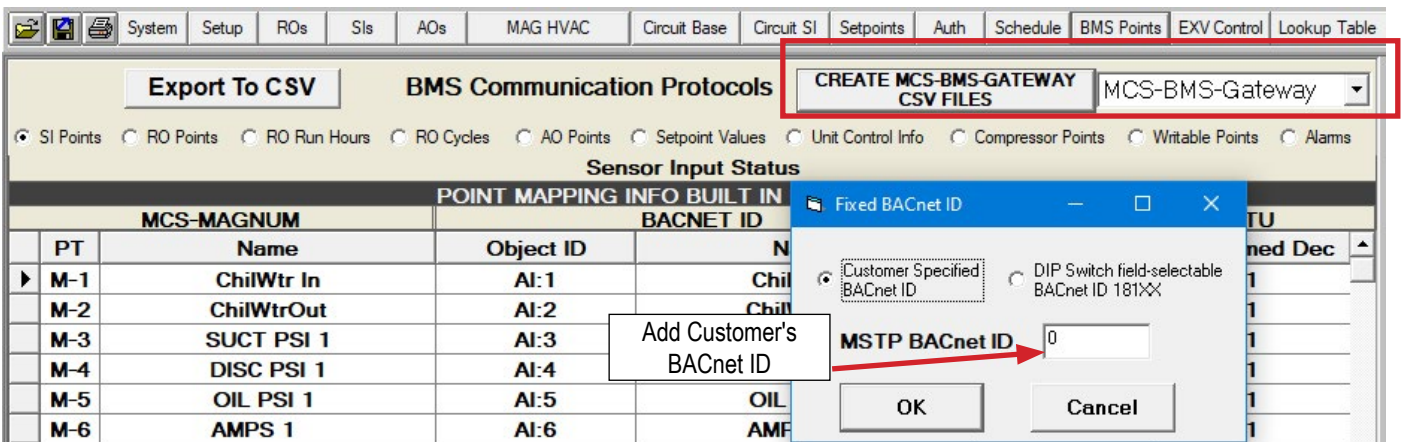
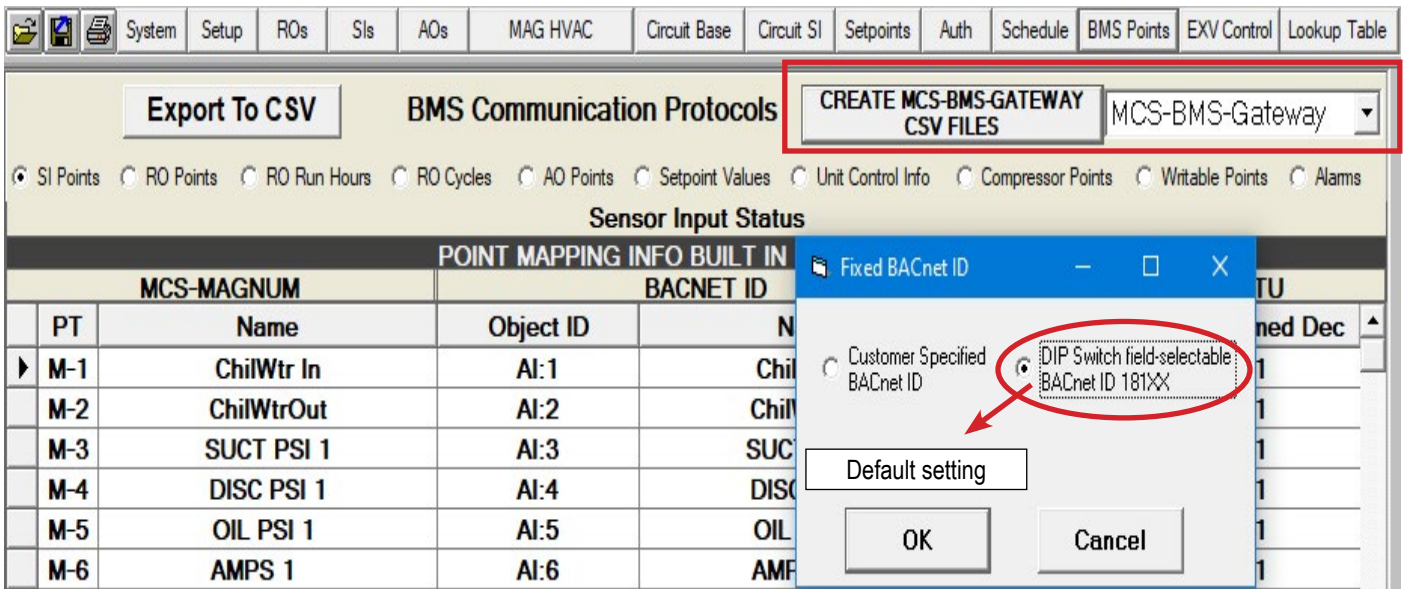
3. Click on BMS-POINTS



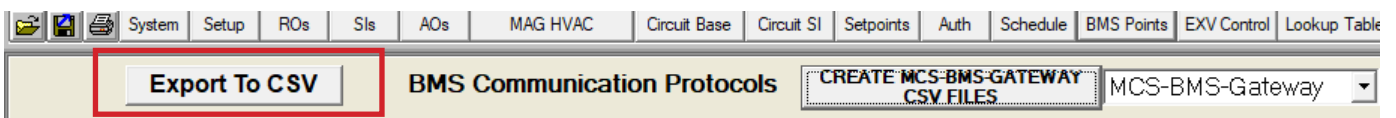
The screenshot shows the 'BMS Communication Protocols' screen. The 'BMS Points' menu item is highlighted with a red arrow. The screen includes an 'Export To CSV' button, a 'CREATE MCS-BMS-GATEWAY CSV FILES' button, and a dropdown menu set to 'MCS-BMS-Gateway'. Below these are radio buttons for various protocols: SI Points, RO Points, RO Run Hours, RO Cycles, AO Points, Setpoint Values, Unit Control Info, Compressor Points, Writable Points, and Alarms. The screen also displays 'Sensor Input Status' and 'POINT MAPPING INFO BUILT IN MCS-MAGNUM' with columns for MCS-MAGNUM, BACNET ID, and MODBUS IP & RTU.

4. Click on drop down box on left for BMS TYPES

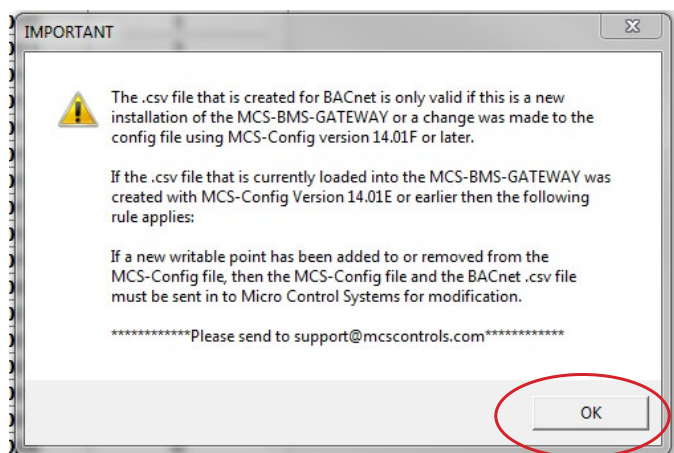
5. Choose BMS type:
 - a. **BMS-GATEWAY-(default - with LonTalk)**
 - b. BMS-GATEWAY-N54
6. Click 'CREATE MCS-BMS-GATEWAY CSV FILES'
7. Drop down window shows Fixed BACnet ID;
 - a. **Default - 'DIP Switch field-selectable BACnet ID 181xx'**
 - b. Customer Specified BACnet ID (custom BACnet number can be added)



8. Click on 'Export to CSV'



9. When popup window comes up click ok.



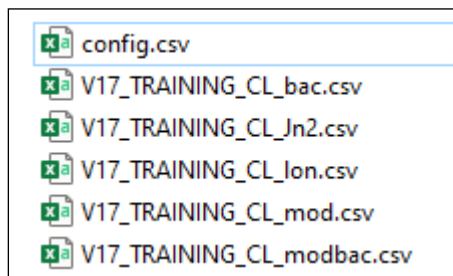
NOTE:

When prompted, select the file location where you want to save the csv files. This would be the time to name the CSV files, there is a 15 character maximum not including the file extension.

If you do not name the file it will default to the first 15 characters of the config name as shown below.

10. MCS-Config will create CSV file: (CONFIG.CSV) and files needed for BMS-GATEWAY.

11. Click to save files (choose where you want to save the file)



Excel or txt files saved

12. Refer to page 5- **Programming a MCS-BMS-GATEWAY**

Setting up and Programming a MCS-BMS-GATEWAY

- A. **Field Server Toolbox program installed on a computer (download from mcscontrols.com).**
 - B. **An Ethernet Cable. (crossover cable is only required when connected from MCS-BMS Gateway to MCS-MAGNUM)**
 - C. **CSV files created from the MCS-MAGNUM Controller supplied by MCS or OEM / Contractor.**
1. Connect PC to a powered BMS-GATEWAY with an Ethernet Cable or crossover cable, your PC must be logged in as **administrator**.
 2. Open Field Server Toolbox Program. (If running program for the first time click on '**DISCOVER NOW**', (unclick '**Show on startup**' at bottom when closing program). The MCS-BMS-GATEWAY you're connected will show up on the top line giving you the IP address and MAC address. Also you may need to right click and run as Administrator if the Gateway did not show up.
 3. Look at **CONNECTIVITY** column lights,
 - a. **If Blue, it is a NEW CONNECTION**
 - b. **If GREEN, click Connect (shows that this is on the same network)**
 - c. **If YELLOW, it is not on same network, go to 'Note at bottom of this page'**

Loading CSV file the MCS-BMS-GATEWAY

4. Click 'CONNECT'
 - a. Log in using 'admin' as user name.
 - b. Password is located on the label of the ethernet jack on the MCS-BMS-GATEWAY.
 - c. Enter the password, select HTTP (not secure, vulnerable to man-in-the-middle attacks) unless in region of install.
4. Click **Diagnostics and Debugging**.
5. Click **Setup**.
6. Click **File Transfer**.
7. Click the **Configuration tab**, then click **Choose Files**.
8. In **Pop Up file browser**, navigate to the saved CSV files, select **Config** and click open .
9. Click **Submit**.
10. Click the **General Tab**, then click **Choose Files**
11. Select the correct BMS protocol file, than click open.
 - a. bac for BacNet MS/TP
 - b. jn2 for Johnson N2
 - c. lon for Lontalk (not available on MCS-BMS-GATEWAY-NL or BMS-GATEWAY-N54)
 - d. mod for Modbus over IP
 - e. modbac for RTU to BACnet
12. Click **Submit**.
13. Click **System Restart** to reboot the BMS GATEWAY card and refresh the web browser.
14. Close the web browser and the Field Server Toolbox.
15. Reconnect the BMS GATEWAY card to the MCS MAGNUM and have the building management system discover the card.



Note for setting up the same network

You need to setup your PC to the same network as the MCS-BMS Gateway.

1. Type in '**ncpa.cpl**' in the task bar search field.
2. Right click on **Local Area Connection** and left click on **Properties**.
3. Double left click on **Internet Protocol Version 4 (TCP/IP v4)**.
4. Select '**Use the following IP address**' and enter a static IP address on the same subnet. With the last number being different than the Gateway(192.168.18.xx)
5. Click **OK**.
6. Open **Field Server Toolbox** and click on **Discover Now**. The **Connect** button should be accessible.

Revision/Disclaimer Page

Date	Author	Description of Changes
4-12-16	DEW	Restructured manual
4-14-16	DEW	Changes made from Ray
7-8-16	DEW	Merge MCS-BMS-GATEWAY VER 2.0
10-03-16	DEW	Update drawings, revised back startup section
12-27-16	DEW	Creating CSV Files
11-30-17	DEW	Remove address 0 in dip switch settings
8-14-17	DEW	Added Alarm BMS info
10-31-19	DEW	Update photos to new style
11-19-19	DEW	Add Modbus IP to RTU
1-29-2020	DEW	Change baud rate for Metasys N2 to 9600
04-12-2021	DEW	Changes made from startup guide
08-17-2021	DEW	CREATE MANUAL FOR MCS-BMS-GATEWAY-NL
01-27-2022	DEW	COMBINE 3 BMS-GATEWAYS INTO ONE MANUAL
04-14-2022	DEW	Minor changes to photos, etc
05-24-2022	DEW	Add complete section on N54 install, etc. PDF
06-03-2022	DEW	Update Manual for drawings, etc.
06-07-2022	DEW	Update Chapters
01-05-2023	DEW	Update drawing, remove BACnet IP references
01-26-2023	DEW	Update drawing, made changes to pages changing how we hook up gateway
01-31-2023	DEW	Update drawing on page 6
05-18-2023	DEW	Update drawing for RS485 and Ethernet
07-19-2023	DEW	UPDATE CHART FOR PROTOCOLS
08-03-2023	DEW	ADD APP085 FOR MCS-CONFIG SETUP



Providing HVAC/R Control Solutions Worldwide

5580 Enterprise Pkwy. Fort Myers, FL 33905

Office: (239) 694-0089

Fax: (239) 694-0031

www.mcscontrols.com