



# MCS-WIRELESS MODEM

Rev. 2.1 - 2020-03-26

5580 Enterprise Pkwy.  
Fort Myers, FL 33905

Office: 239-694-0089  
Fax: 239-694-0031

www.mcscontrols.com

## MCS-WIRELESS Setup with Antenna Booster



*Package contains the parts  
shown below:*



*Dual Band - 800-1900  
MHz Mini Magnet Mount  
Antenna with SMA Male  
Connector and 12.5-  
Foot RG174 Coax*

*Ethernet Cross Over  
Cable supplied*

**MCS Total  
Solution  
for all your  
Control  
Needs**



**Energy Efficient and  
RoHS Compliant**

**Revision/Disclaimer Page**

<b>Date</b>	<b>Author</b>	<b>Description of Changes</b>
1/6/15	DEW	Setup Manual
1/8/15	DEW	Added wiring diagram
11-16-15	DEW	Make corrections to 4g and photos
1-27-16	DEW	Revisions
8-5-19	DEW	Revisions - new Cradlepoint
9-23-19	DEW	Add drawing spec for mounting

**The MCS Commitment is to provide practical solutions for the industries needs and to be both a leader and partner in the effective use of microprocessor controls.**

Micro Control Systems, Inc.  
5580 Enterprise Parkway  
Fort Myers, Florida 33905  
PH:(239) 694-0089 FAX:(239) 694-0031  
[www.mcscontrols.com](http://www.mcscontrols.com)

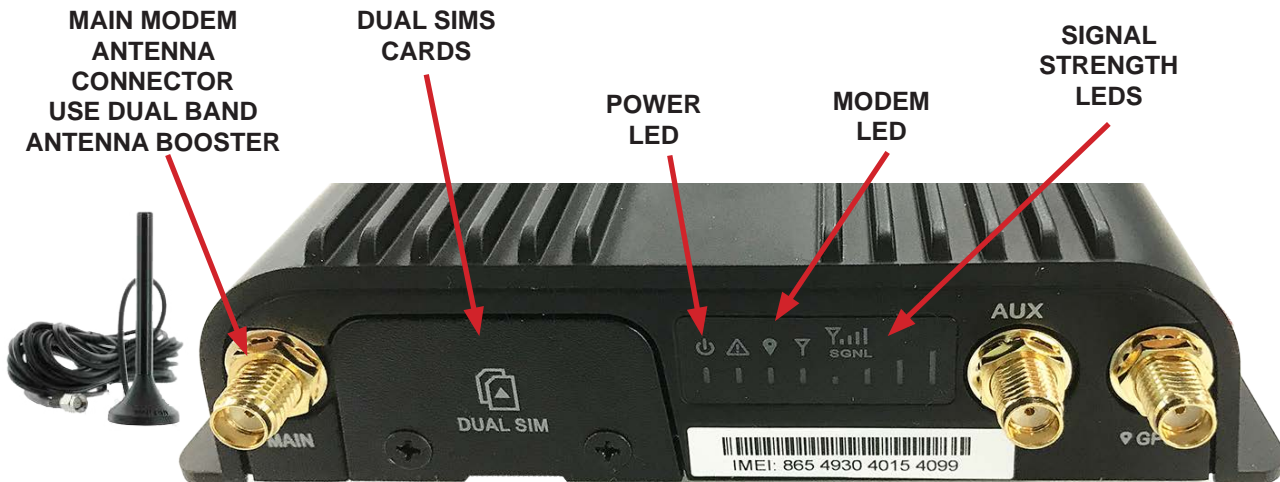
All information contained within this document is considered to be proprietary information of Micro Control Systems, Inc. No information or data from this document shall be published, used, reproduced, transmitted, or disclosed to others outside your organization without the prior expressed written consent of Micro Control Systems, Inc. This document and the information contained herein shall be treated as proprietary. Reasonable provisions shall be provided to ensure that this information remains proprietary by your employees, agents, and other personnel that may have access to this document. Copyright ©2019

# Table of Contents

- Chapter - 1. MCS-WIRELESS-MODEM INTERFACE .....4
- Chapter - 2. QUICK START SETUP .....5
  - 2.1. DUAL BAND ANTENNA .....5
  - 2.2. CONNECT TO MCS-MAGNUM .....5
  - 2.3. NETWORK ADDRESS ON MCS-MAGNUM .....5
  - 2.4. CONNECTING CROSS OVER CABLE .....5
  - 2.5. POWER SUPPLY .....5
  - 2.6. ACTIVATE YOUR MODEM .....5
- Chapter - 3. MULTIPLE CONNECTIONS .....6
  - 3.1. CONNECTING TO MULTIPLE MCS-MAGNUMS .....6
  - 3.2. ETHERNET SWITCH (NOT SUPPLIED) .....6

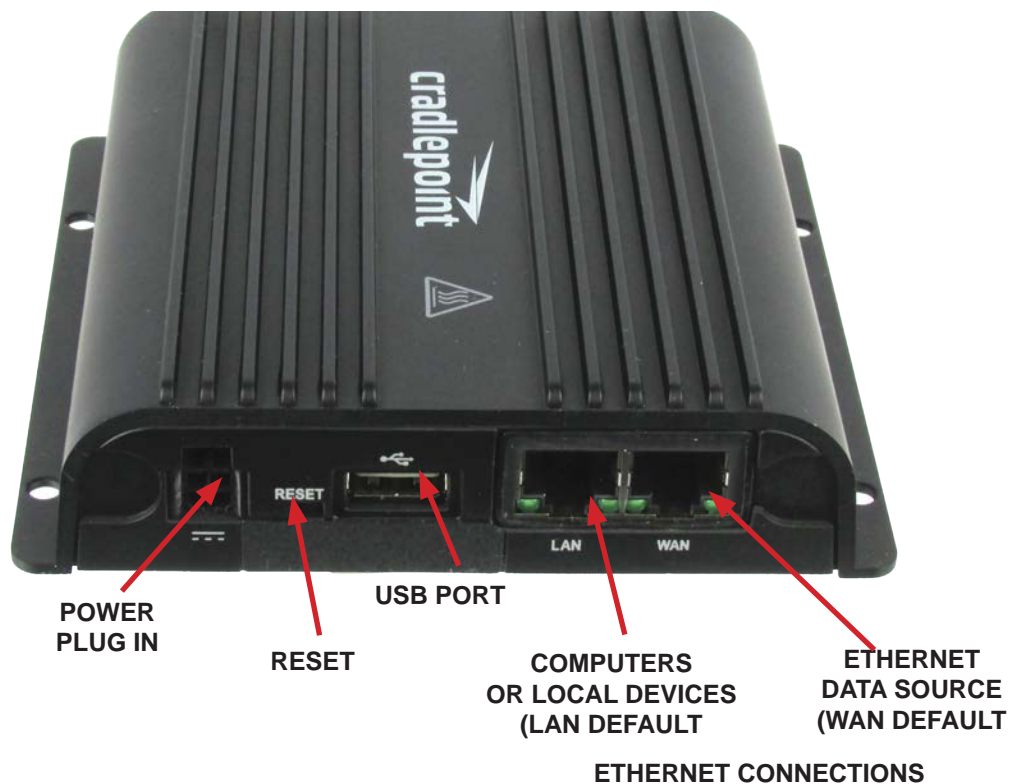


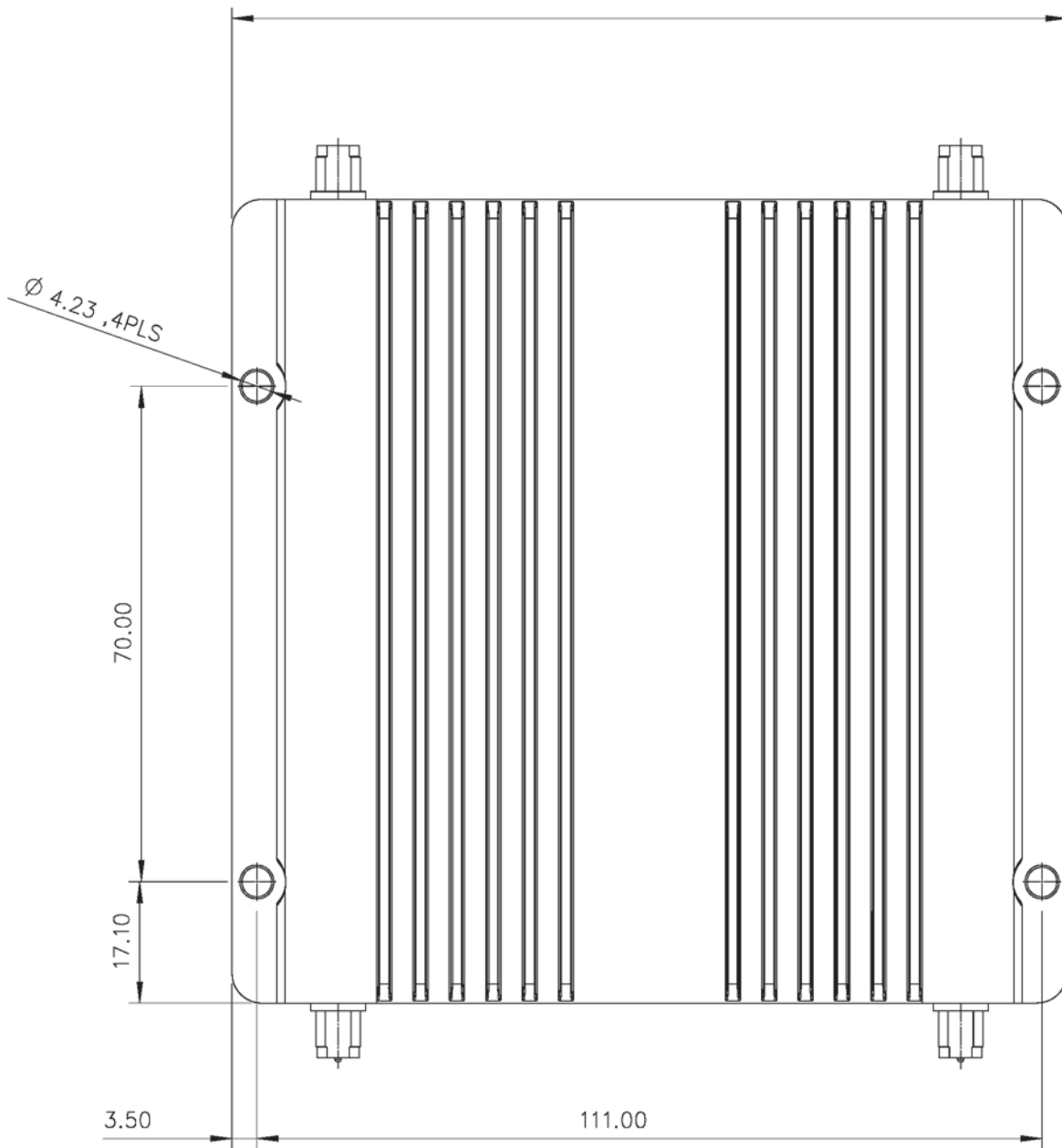
## Chapter - 1. MCS-WIRELESS-MODEM INTERFACE



Modem Antennas: The **MCS-WIRELESS-MODEM** comes with a 'DUAL BAND -800-1900 MHz Mini Magnet Mount Antenna and is connected to the 'MAIN MODEM ANTENNA CONNECTOR.

- Green = Modem has established an active connection.
- Blinking Green = Modem is connecting.
- Amber = Modem is not active.
- Blinking Amber = Data connection error. No modem connection possible.
- Blinking Red = Modem is in the process of resetting.





SIZE: 4.6 x 4.5 x 1.2 in (118 x 113.5 x 29.3 mm)

# Chapter - 2. QUICK START SETUP

## 2.1. DUAL BAND ANTENNA

MCS recommends using the DUAL BAND ANTENNA BOOSTER for better reception.

Attach the Dual Band Antenna, thumb tight only.



## 2.2. CONNECT TO MCS-MAGNUM

Connect the Crossover orange cable from the MCS-WIRELESS MODEM to the ethernet port on the MAGNUM and the other end of the cable to the LAN port on the MCS-WIRELESS MODEM.



## 2.3. NETWORK ADDRESS ON MCS-MAGNUM

THE NETWORK ADDRESS FOR YOUR NEW MCS-WIRELESS-MODEM HAS BEEN FACTORY SET AND IS SUPPLIED WITH THE UNIT ON THE LABEL ON THE BOTTOM OF MODEM.

YOU MUST SET THE NETWORK ADDRESS ON YOUR CONTROLLER TO MATCH THIS FACTORY ADDRESS.

## 2.4. CONNECTING CROSSOVER CABLE

Connect the end of the supplied **CROSSOVER ETHERNET CABLE** to the **LAN DATA SOURCE** connector on the rear of the **MCS-WIRELESS-MODEM**, connect the other end to the **ETHERNET** port on the **MCS-MAGNUM CONTROLLER**.

## 2.5. POWER SUPPLY

Plug the power supply into an electrical outlet and connect it to the router.

Make sure the power is switched on.

O = OFF

I = ON

## 2.6. ACTIVATE YOUR MODEM

A wireless broadband data plan has been added to your **MCS-WIRELESS-MODEM** through Verizon Wireless. **THIS IS A FACTORY PRE-INSTALL.**

For more detailed installation, refer to APP112

MCS-WIRELESS MODEM with Antenna Booster Installation found on our web site.

If there are any problems or questions about the installation of the data plan, please consult MCS support at: [support@mcscontrols.com](mailto:support@mcscontrols.com)

# Chapter - 3. MULTIPLE CONNECTIONS

## 3.1. CONNECTING TO MULTIPLE MCS-MAGNUMS

This will enable you to communicate with MCS-MAGNUM anywhere in the Continental United States. You can connect multiple MCS-MAGNUMS to the MCS-WIRELESS-MODEM using an Ethernet Switch (not supplied). The MCS-WIRELESS-MODEM and all MCS-MAGNUMS must be connected to the same switch on the same network.

## 3.2. ETHERNET SWITCH (NOT SUPPLIED)

An Ethernet switch (router), provides a central connection in an Ethernet network in which each connected device has its own dedicated link with full bandwidth. Switches divide LAN data into smaller, easier-to-manage segments, and receive data from the controller. As a result, every port on the switch represents a dedicated 10 or 100-Mbps pathway.

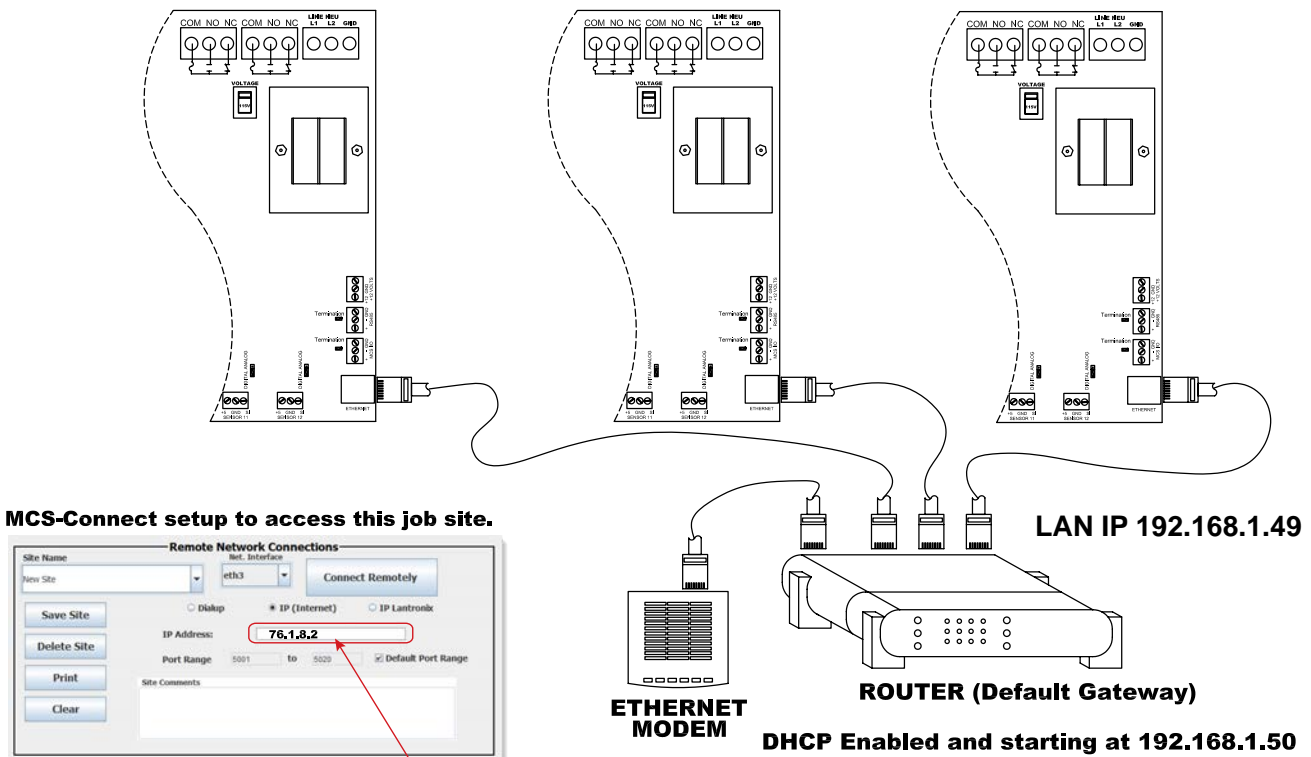
Users connected to an Ethernet switch (router) do not share bandwidth.

A switch offers relief from the network congestion, which a shared hub can cause.

**MAGNUM #1**  
**Static IP: 192.168.1.1**  
**Subnet mask: 255.255.255.0**  
**Default Gateway: 192.168.1.49**  
**TCP/IP Port: 5001**

**MAGNUM #2**  
**Static IP: 192.168.1.2**  
**Subnet mask: 255.255.255.0**  
**Default Gateway: 192.168.1.49**  
**TCP/IP Port: 5002**

**MAGNUM #3**  
**Static IP: 192.168.1.3**  
**Subnet mask: 255.255.255.0**  
**Default Gateway: 192.168.1.49**  
**TCP/IP Port: 5003**



Static IP address of your MCS-WIRELESS MODEM see label on back of unit shipped to you

	<b>Micro Control Systems, Inc.</b>
<b>Typical MCS Ethernet Connection</b>	