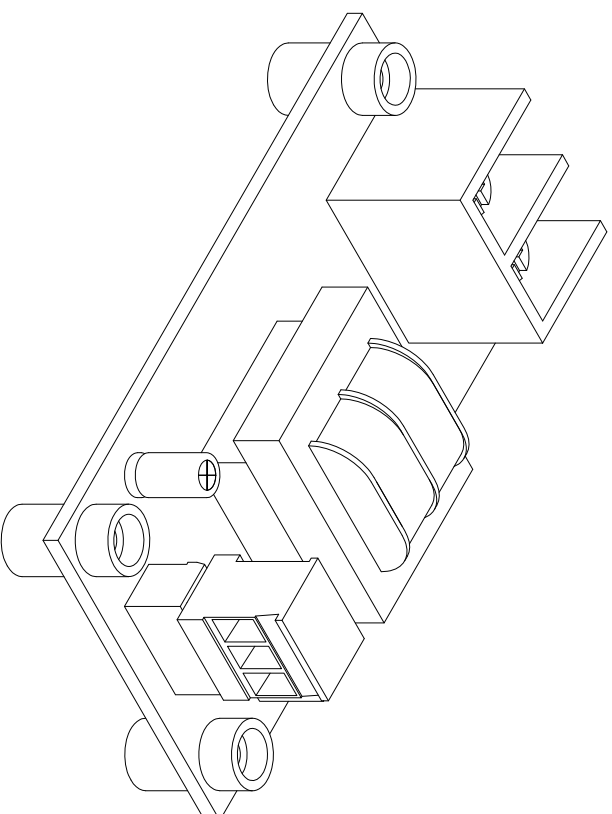
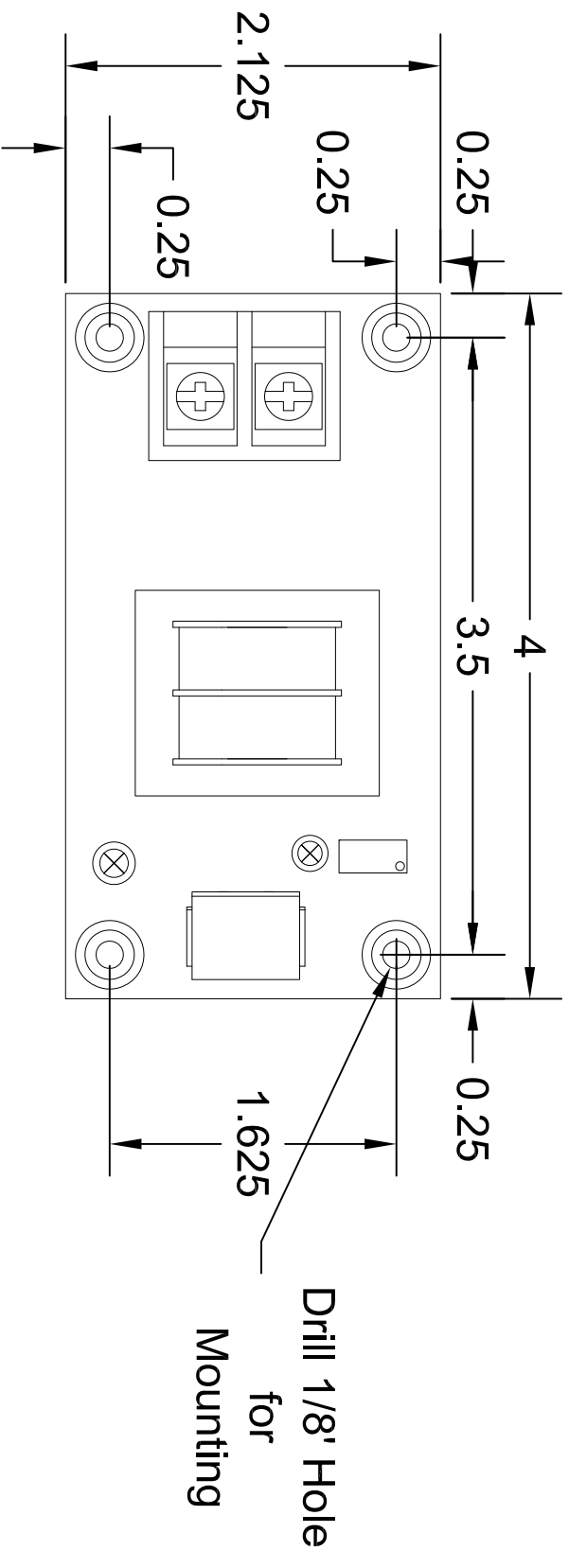


# MCS-VOLTAGE Mounting Dimensions



<b>MICRO CONTROL SYSTEMS Inc.</b>	
DATE:	01-27-21 Page 1 of 1
DRAWN BY:	M. Schreiber
REVISION :	A
DWG NAME:	MCS-VOLTAGE Mounting Dimensions