
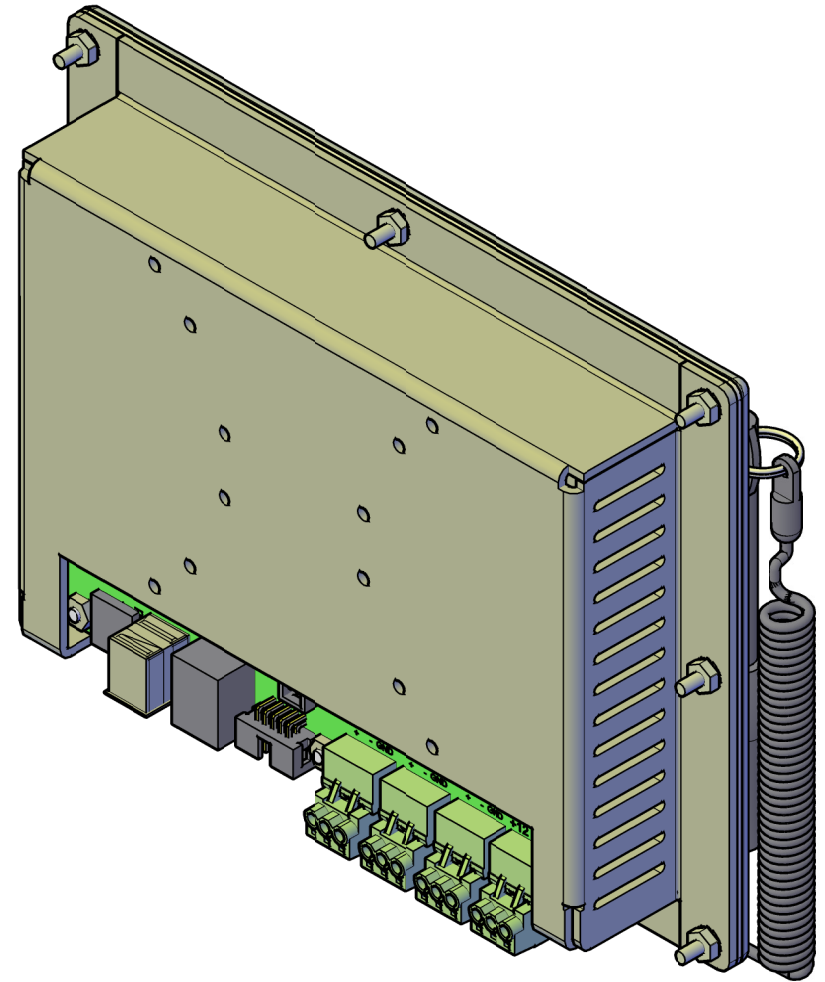
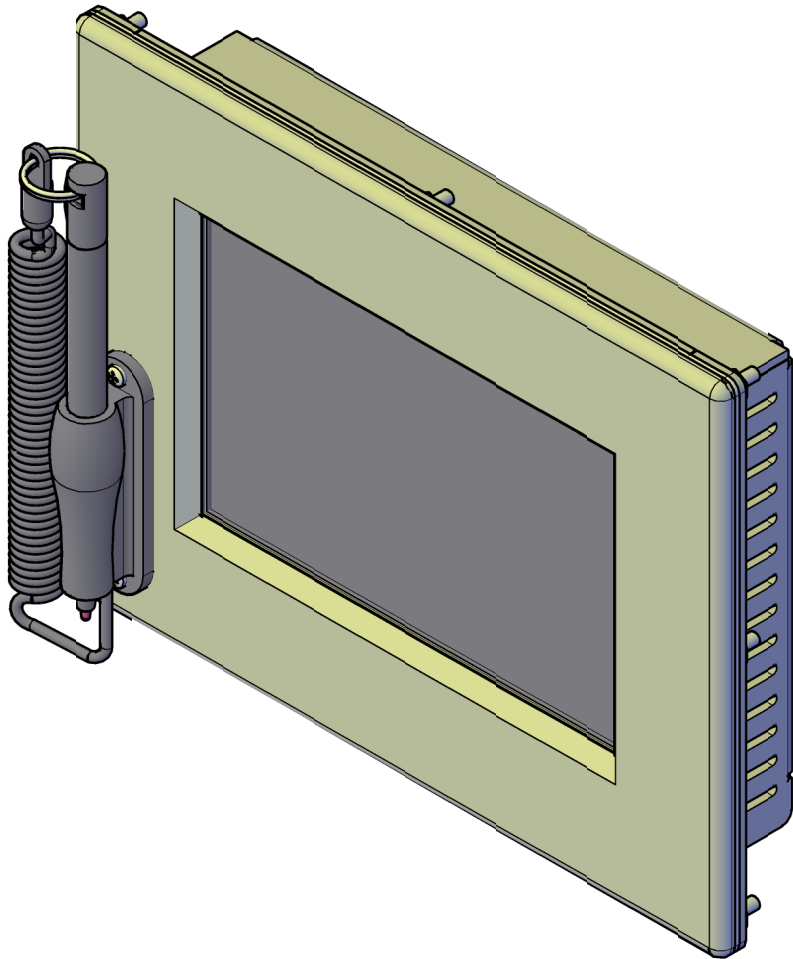


MCS-TOUCH-7IN-D

	MCS-TOUCH-7IN-D Installation Drawing	
	Desc.	Assembly Drawing
	CAD Tech	I.Mitchell © 2017
	Date	June 27, 2018
Revision	C	Page 1 of 8



As Shipped

MCS-TOUCH-7IN-D			
Mounting Assembly Drawing			
Desc.	Ethernet-Switch ASM.		
CAD Tech	I.Mitchell	© 2017	
Date	June 27, 2018		
Revision	A	Page 8 of 8	



MCS-TOUCH-7IN-D

Customer Supplied Enclosure
(See Page 3 for Cutout Area Dimension)

Chassis/Earth Ground

Customer Supplied 115-230 VAC

12vdc/50watt Switch Mode
Power Supply - Industrial
Part Number: 15-028-POWER-12V

Ethernet Connect to:

- 1) Other MCS-MAGNUM (s)
- 2) Building Management System

MCS-ETHERNET-SWITCH

7ft CAT 5e Crossover
Patch Cord, Orange
Part Number: 95-606-7

