
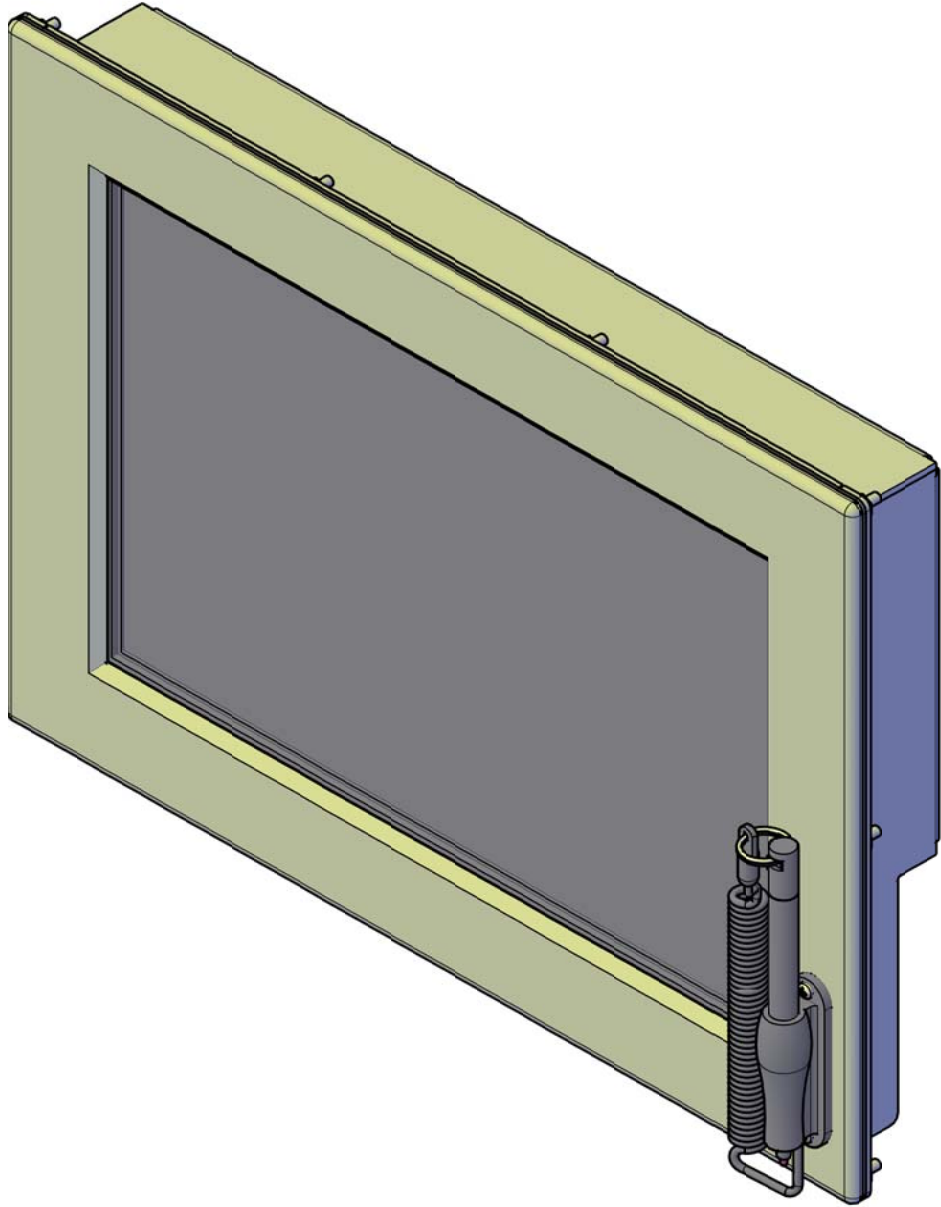
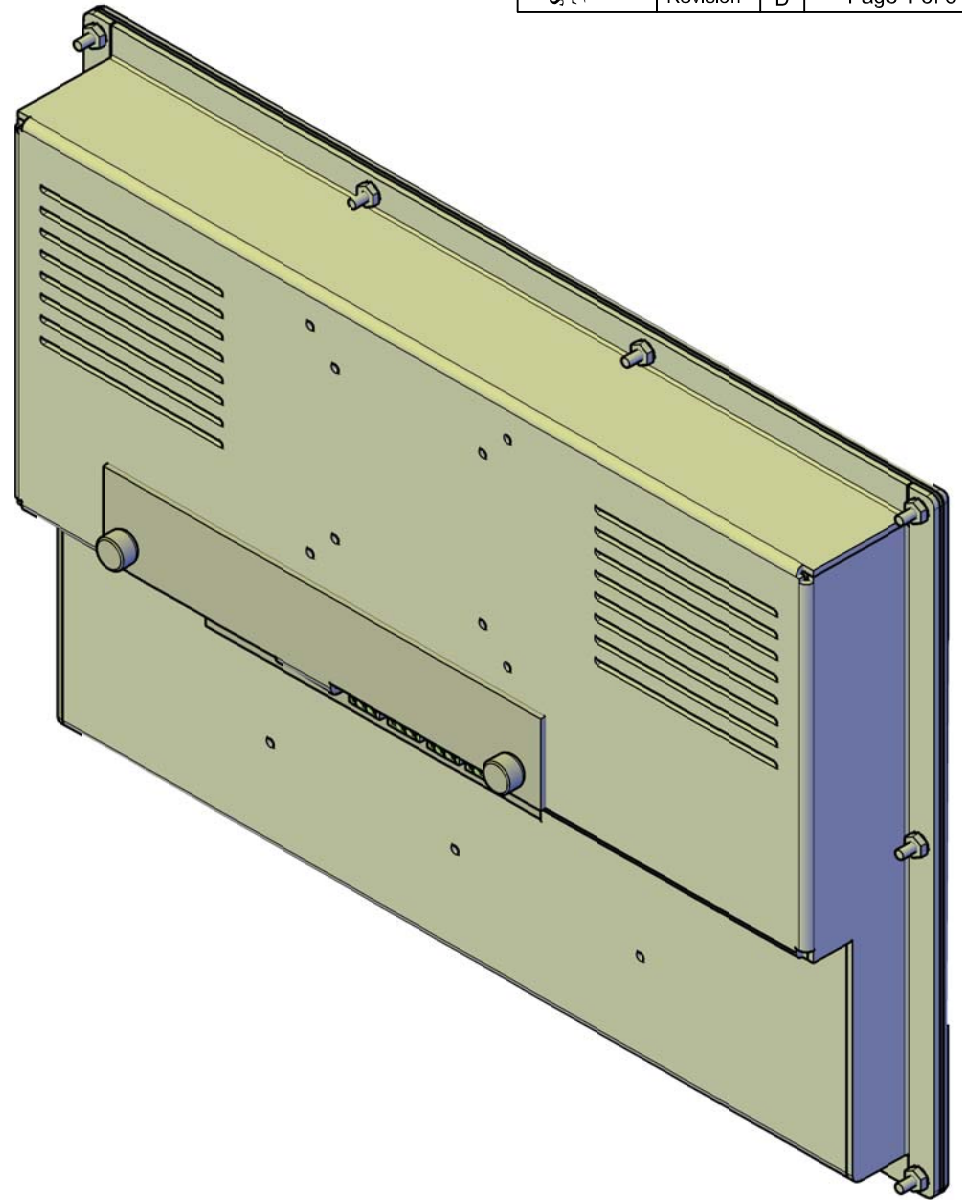


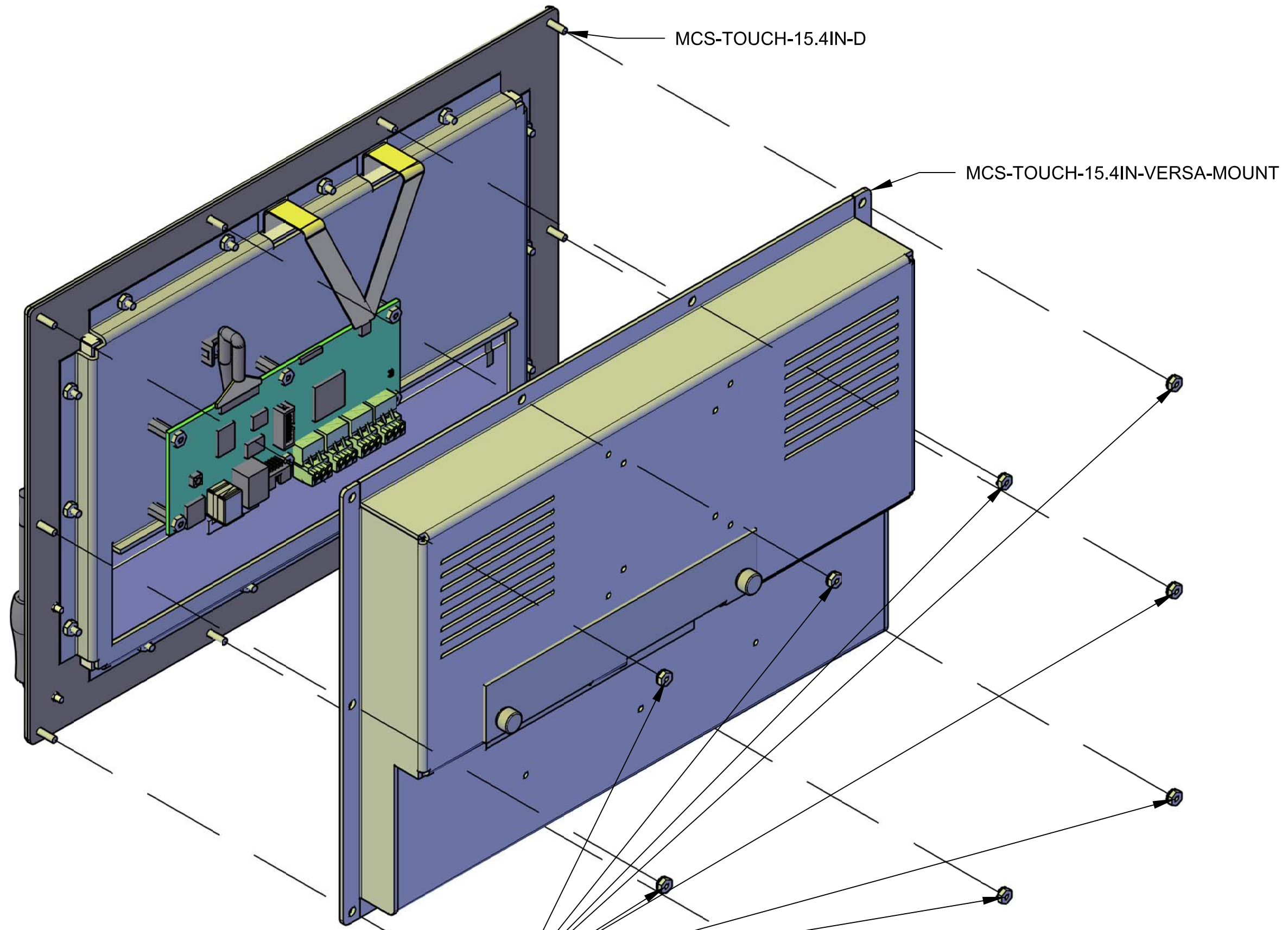
MCS-TOUCH-15.4IN-D

| | | |
|--|-----------------------------|---------------------|
|  | MCS-TOUCH-15.4IN-D | |
| | Installation Drawing | |
| | Desc. | Assembly Drawing |
| | CAD Tech | M. Schreiber © 2018 |
| Date | June 28, 2018 | |
| Revision | D | Page 1 of 6 |



As Shipped





MCS-TOUCH-15.4IN-D

MCS-TOUCH-15.4IN-VERSA-MOUNT

#6-32 Kep Nut w/Ext Toothwasher Steel Zinc

Step 1: Disassembly MCS-TOUCH-15.4IN-D

- A) Unscrew #6-32 Kep Nut w/Ext Toothwasher Steel Zinc (Qty: 10).
- B) Remove MCS-TOUCH-5.4IN-VERSA-MOUNT.

| | | | |
|---|-------------------|----------|---------------------|
| MCS-TOUCH-15.4IN-D Disassembly Drawing | | | |
| Desc. | Disassembly Touch | CAD Tech | M. Schreiber © 2018 |
| Date | June 28, 2018 | Revision | D |
| | | | Page 2 of 6 |

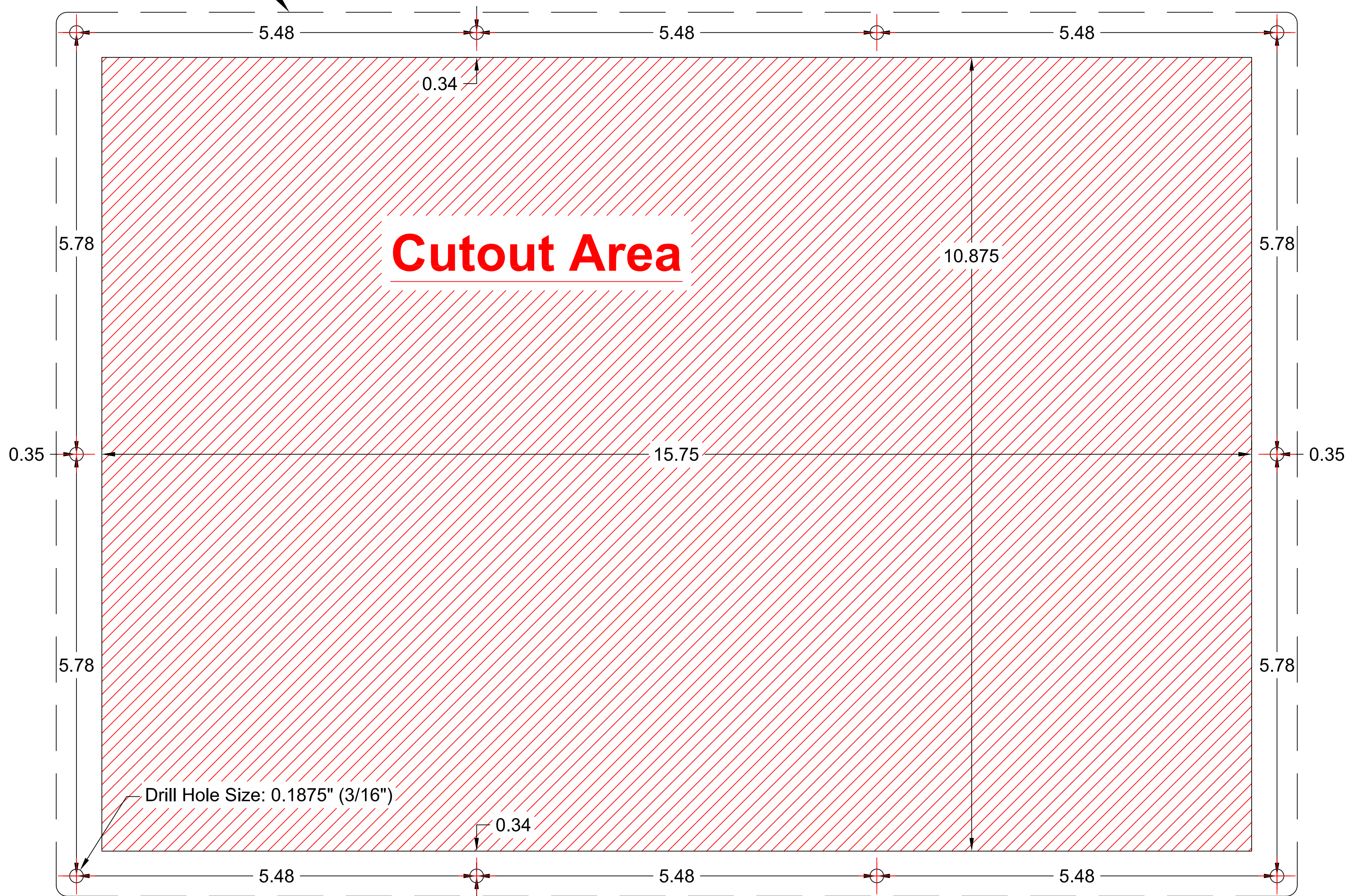




| | | |
|---|-----------------------|-------------|
| MCS-TOUCH-15.4IN Cutout Area Dimension Drawing | | |
| Desc. | Cutout Area Dimension | |
| CAD Tech | M. Schreiber | © 2018 |
| Date | June 28, 2018 | |
| Revision | D | Page 3 of 6 |

Customer Supplied Enclosure

Outline of
MCS-TOUCH-15.4IN-D



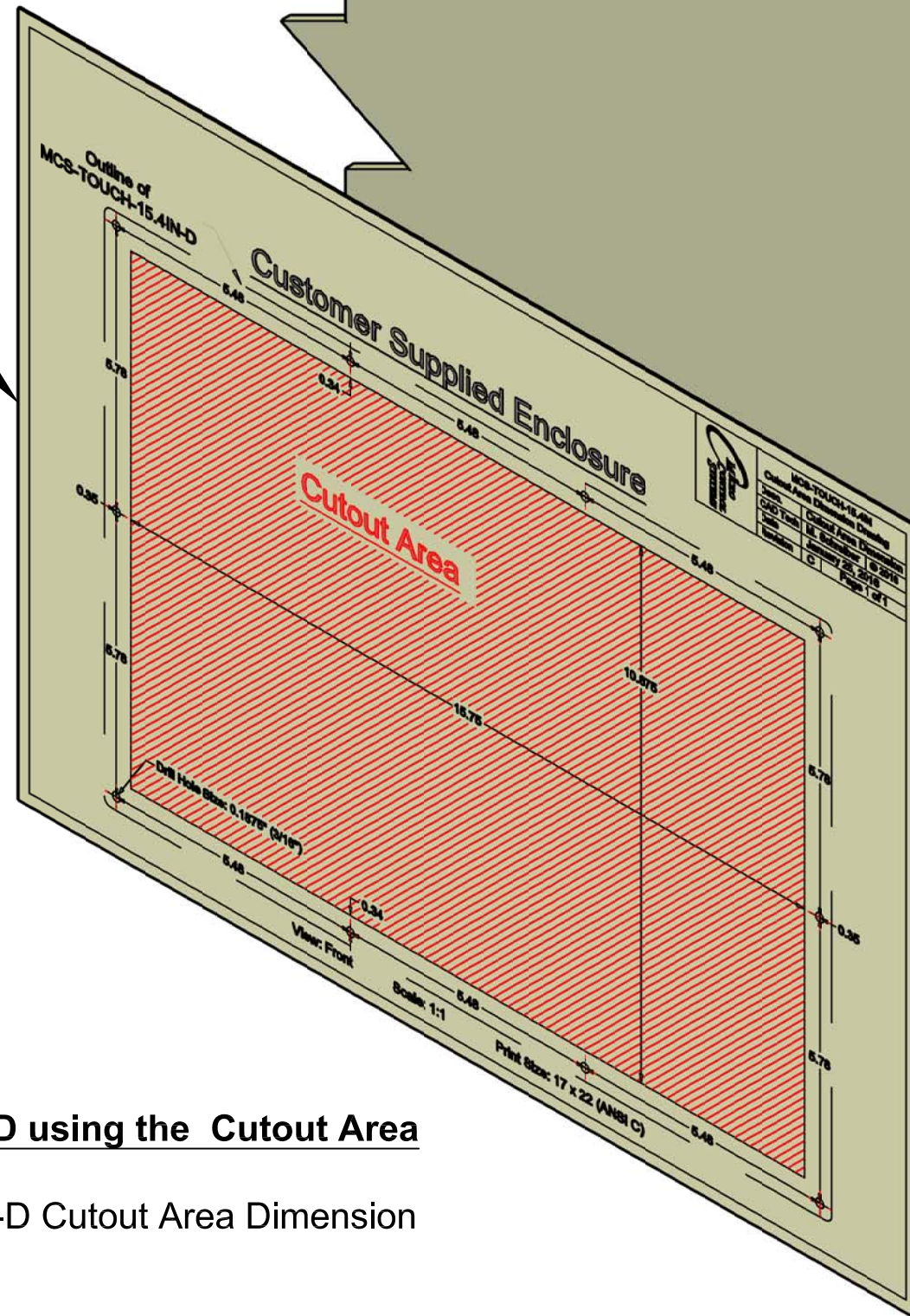
Drill Hole Size: 0.1875" (3/16")

View: Front

Scale: 1:1

Print Size: 17 x 22 (ANSI C)

MCS-TOUCH-15.4IN-D Cutout
Area Dimension Drawing
(Page: 3)



Customer Supplied
Enclosure

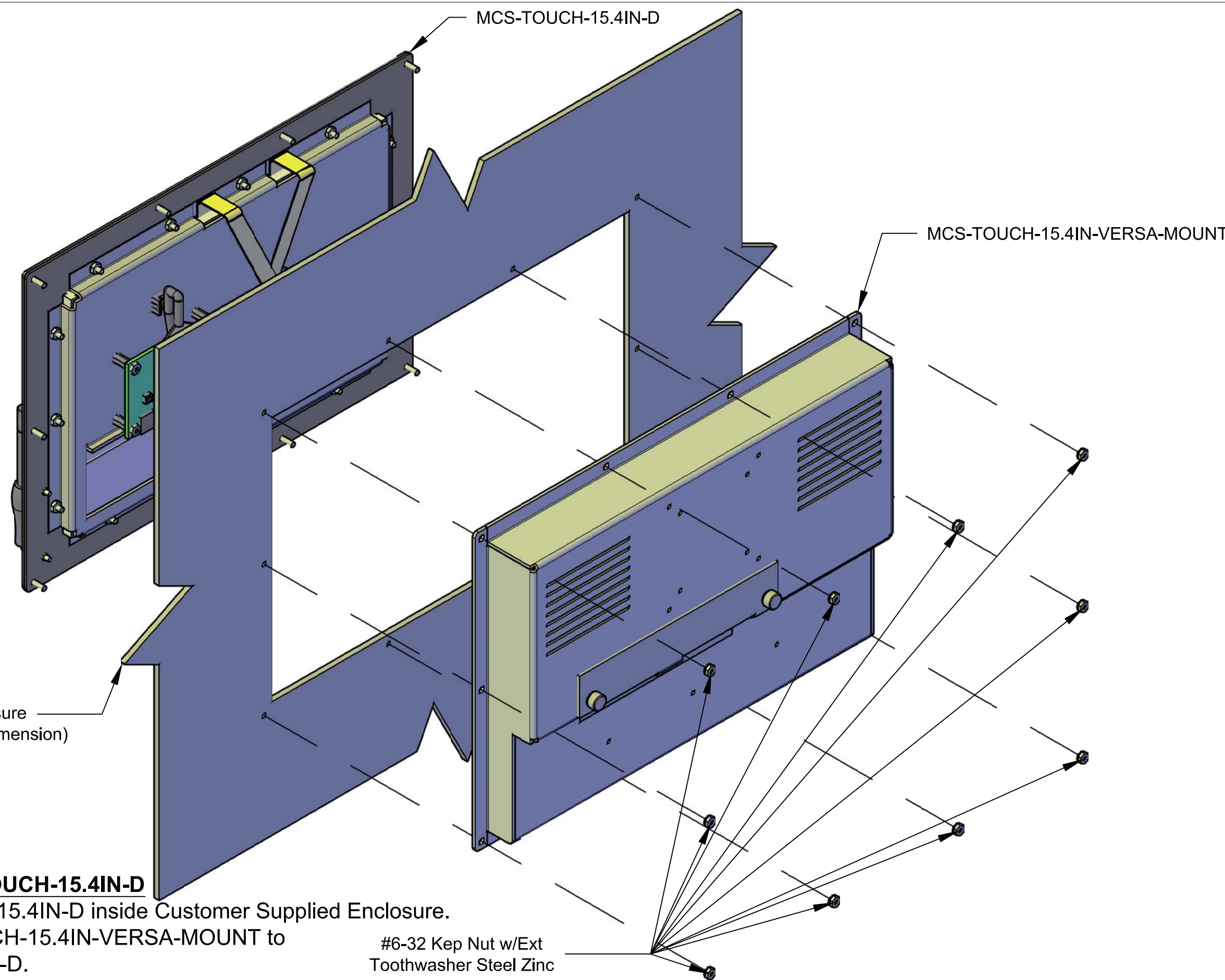
MCS-TOUCH-15.4IN-D
Cutout Area Dimension Drawing

| | |
|----------|-----------------------|
| Desc. | Cutout Area Dimension |
| CAD Tech | M. Schreiber |
| Date | June 28, 2018 |
| Revision | D |
| | Page 4 of 6 |



Step 2: Cutout for MCS-TOUCH-15.4IN-D using the Cutout Area Dimension Drawing

- A) Place/Secure MCS-TOUCH-15.4IN-D Cutout Area Dimension Drawing on Enclosure.
- B) Cutout and Drill the identify areas.



| | | | |
|----------------------------------|----------------|-------------|--|
| MCS-TOUCH-15.4IN-D | | | |
| Mounting Assembly Drawing | | | |
| Desc. | Mounting Touch | | |
| CAD Tech | M. Schreiber | © 2018 | |
| Date | June 28, 2018 | | |
| Revision | D | Page 5 of 6 | |



Customer Supplied Enclosure
(See Page 3 for Cutout Area Dimension)

Step 3: Mounting MCS-TOUCH-15.4IN-D

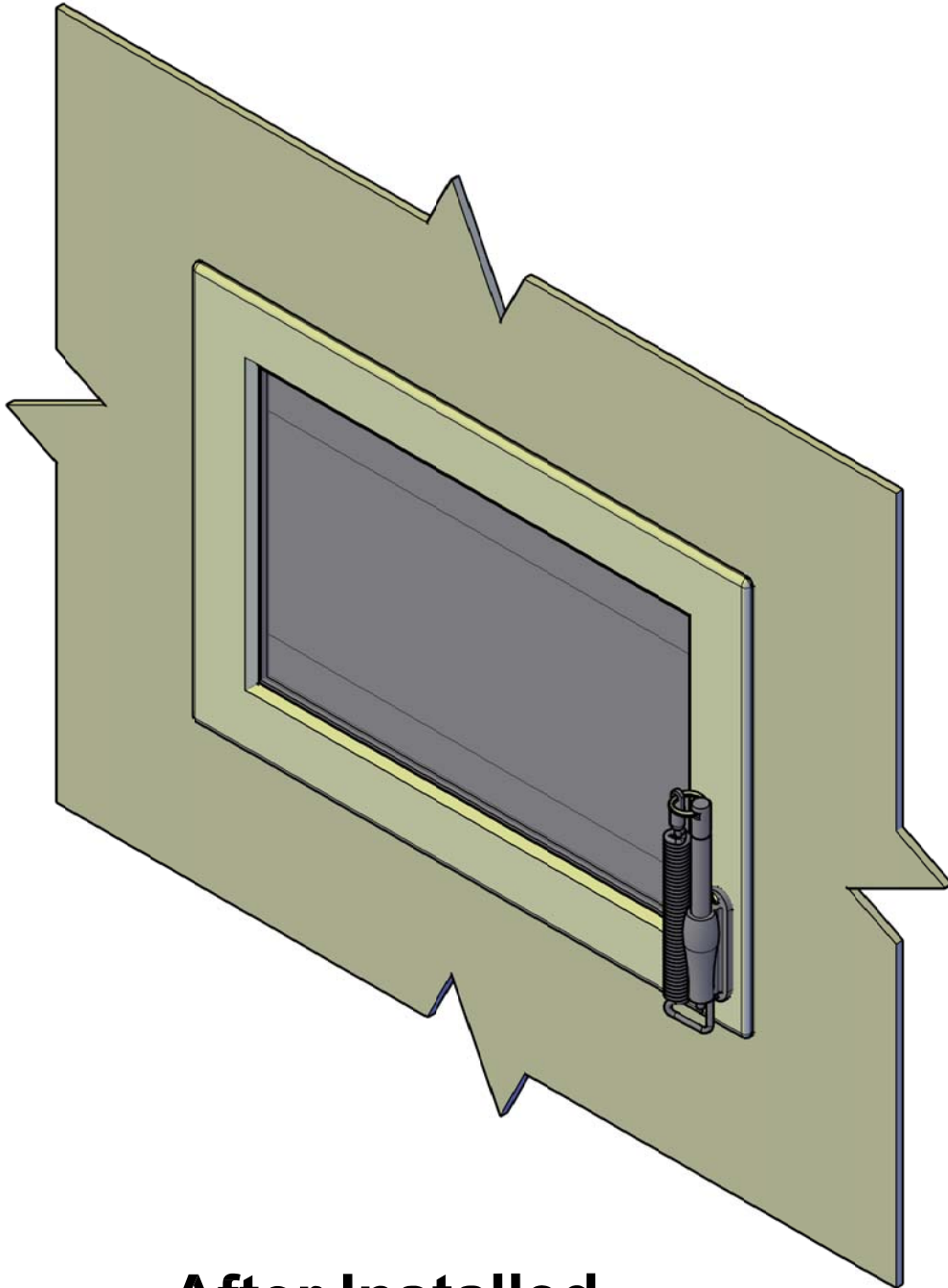
- A) Place MCS-TOUCH-15.4IN-D inside Customer Supplied Enclosure.
- B) Mounted MCS-TOUCH-15.4IN-VERSA-MOUNT to MCS-TOUCH-10.1IN-D.
- C) Secure MCS-TOUCH-15.4IN-D and MCS-TOUCH-15.4IN-VERSA-MOUNT with #6-32 Kep Nut w/Ext Toothwasher Steel Zinc (Qty: 10).

#6-32 Kep Nut w/Ext
Toothwasher Steel Zinc

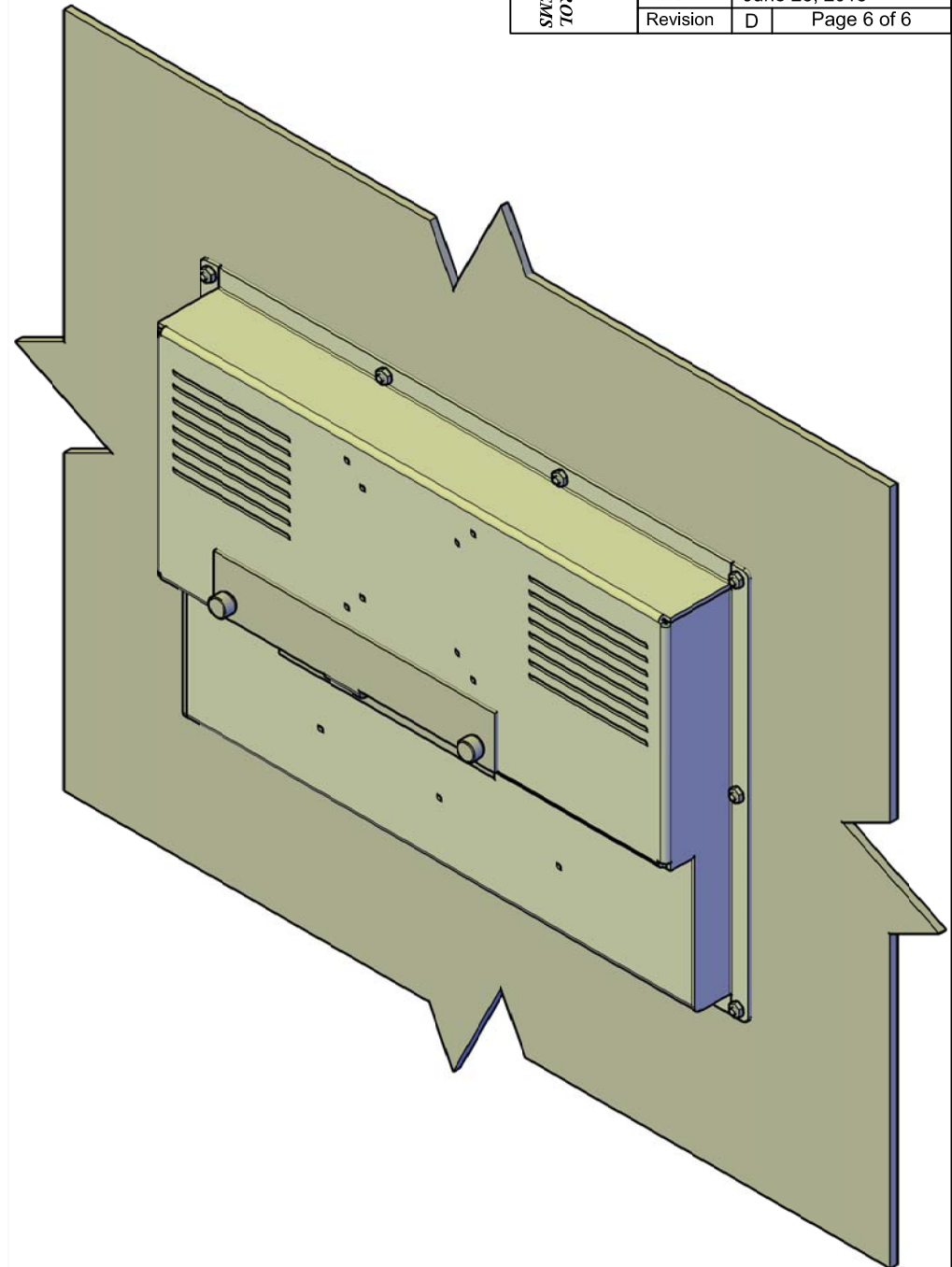
MCS-TOUCH-15.4IN-D

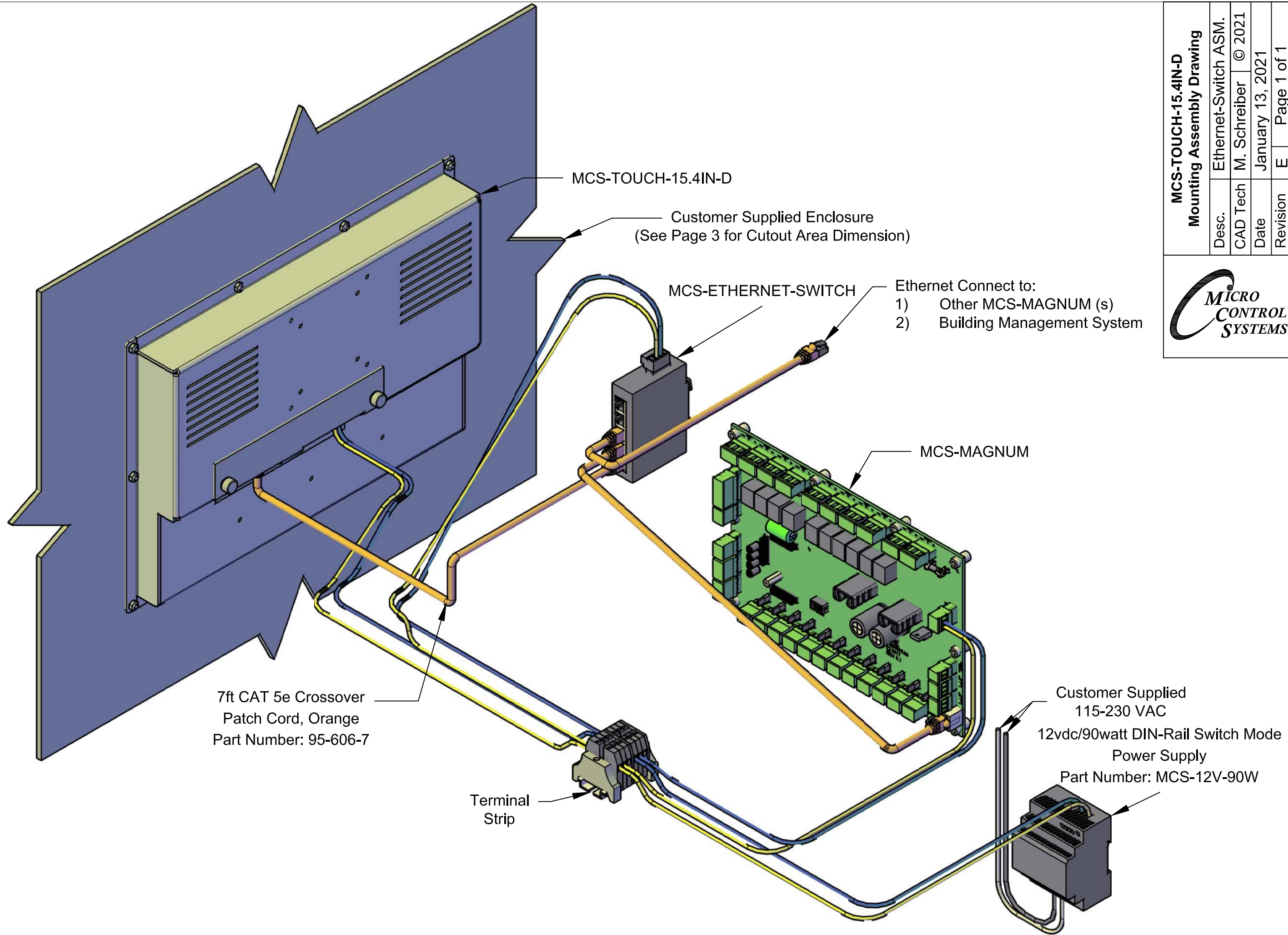


| MCS-TOUCH-15.4IN-D Installation Drawing | | |
|--|------------------|-------------|
| Desc. | Assembly Drawing | |
| CAD Tech | M. Schreiber | © 2018 |
| Date | June 28, 2018 | |
| Revision | D | Page 6 of 6 |



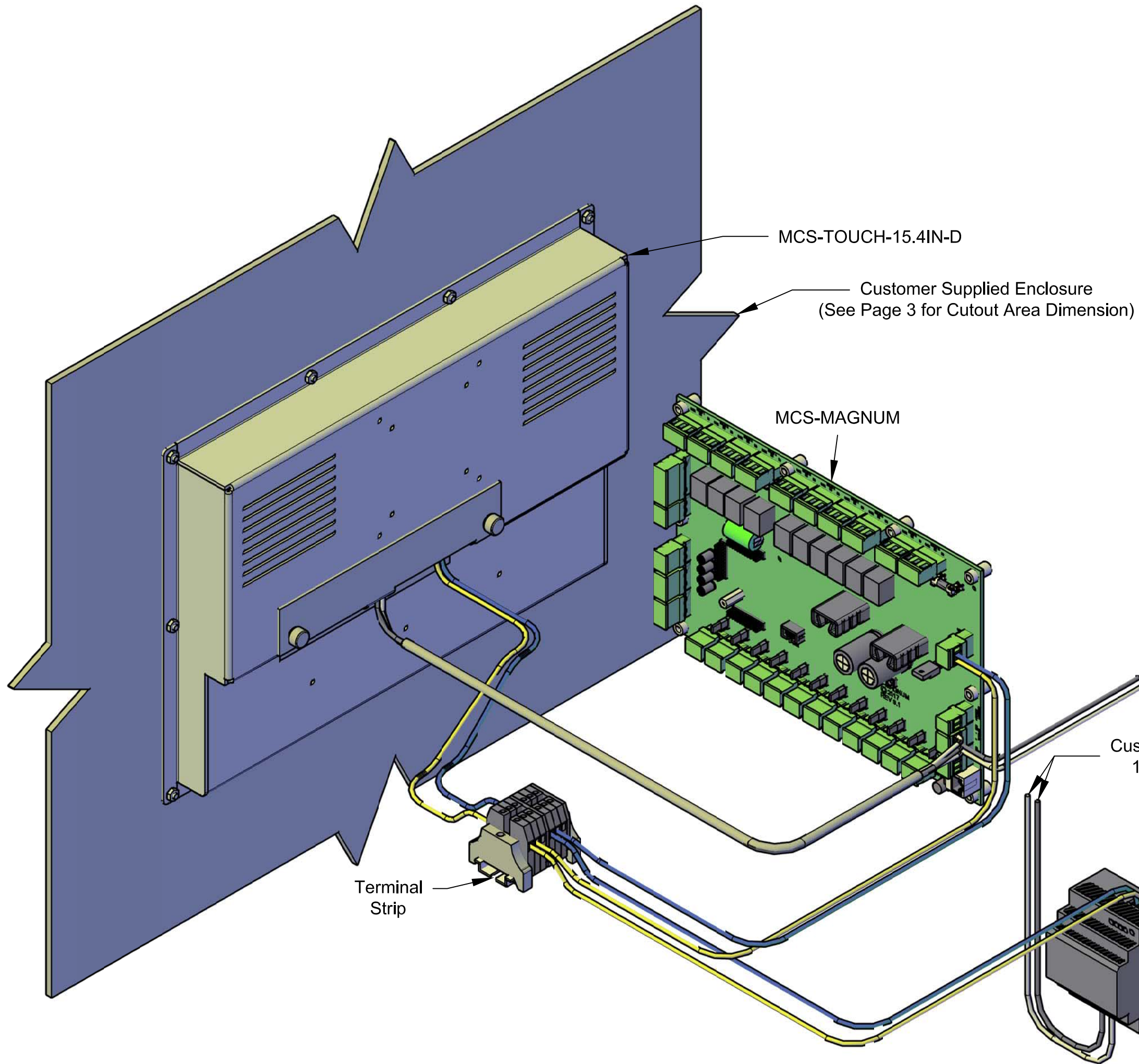
After Installed





| | | | | |
|----------------------------------|----------------------|-------------|--|--|
| MCS-TOUCH-15.4IN-D | | | | |
| Mounting Assembly Drawing | | | | |
| Desc. | Ethernet-Switch ASM. | | | |
| CAD Tech | M. Schreiber | © 2021 | | |
| Date | January 13, 2021 | | | |
| Revision | E | Page 1 of 1 | | |





| | | | | |
|----------------------------------|-----------------|--------------|------------------|-------------|
| MCS-TOUCH-10.1 | | | | |
| Mounting Assembly Drawing | | | | |
| Desc. | RS-485 Assembly | M. Schreiber | | © 2021 |
| CAD Tech | M. Schreiber | Date | January 13, 2021 | Revision |
| | | | | E |
| | | | | Page 1 of 1 |



Connect to the RS-485 Connector on the next MCS Board

Customer Supplied 115-230 VAC

12vdc/90watt DIN-Rail Switch Mode Power Supply
Part Number: MCS-12V-90W

Terminal Strip

MCS-TOUCH-15.4IN-D

Customer Supplied Enclosure
(See Page 3 for Cutout Area Dimension)

MCS-MAGNUM