
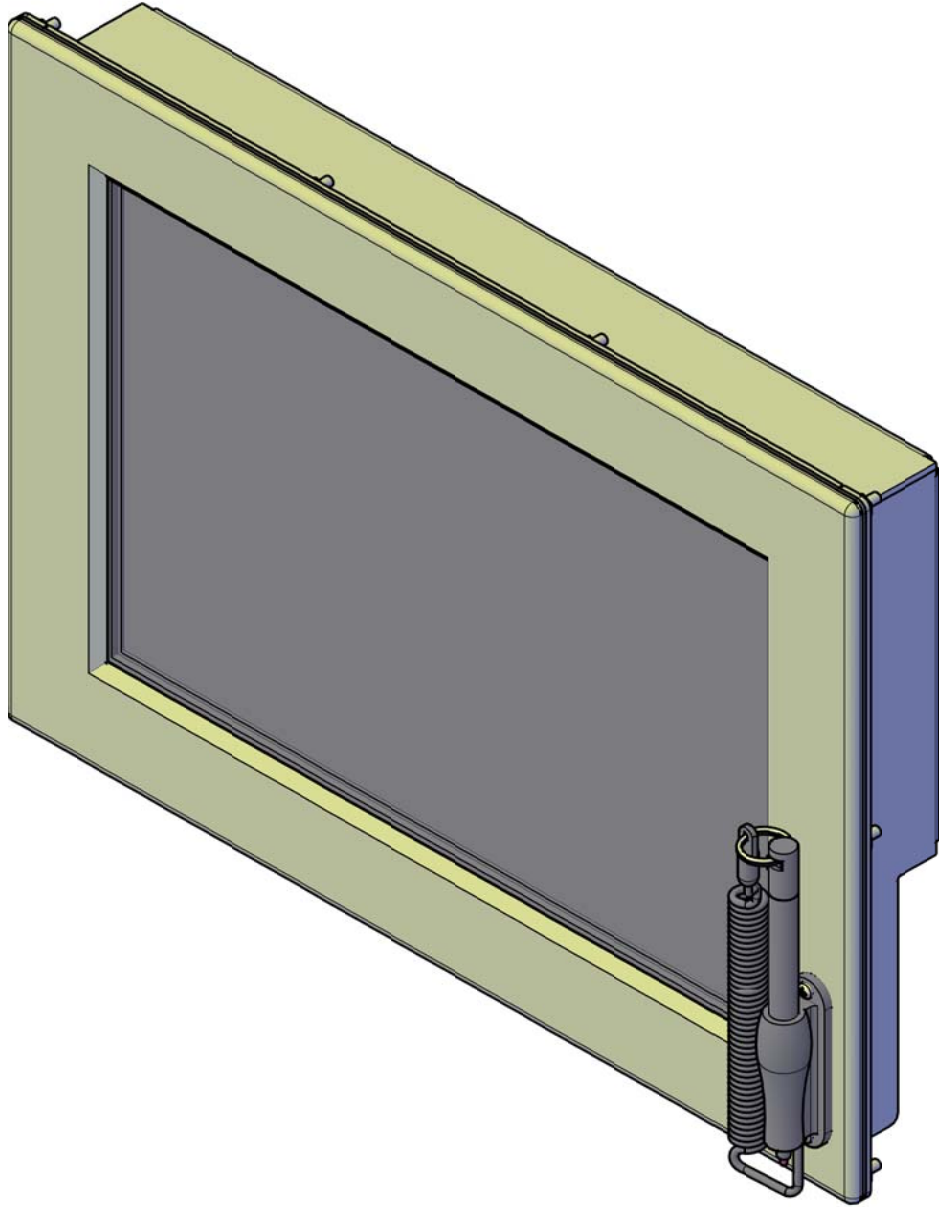
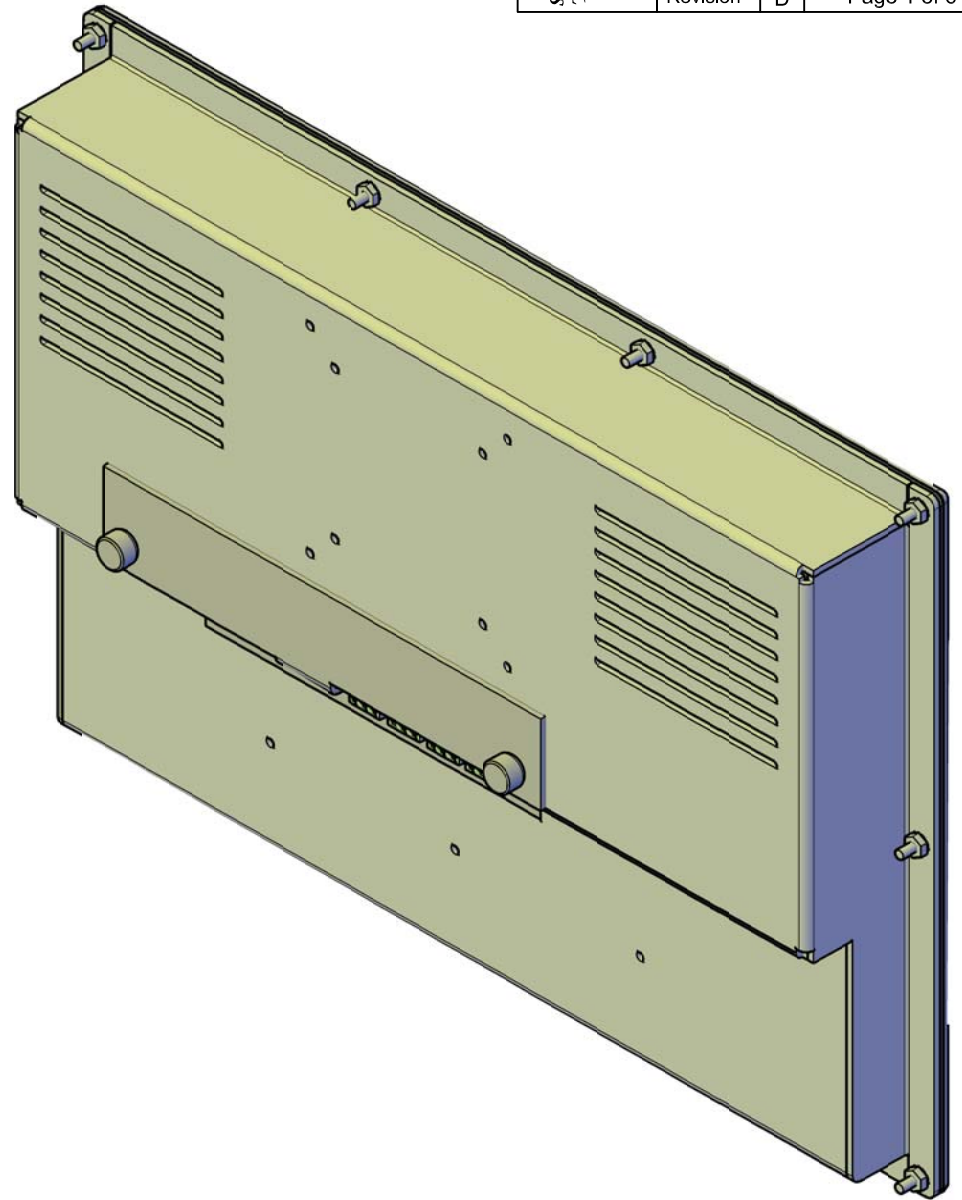


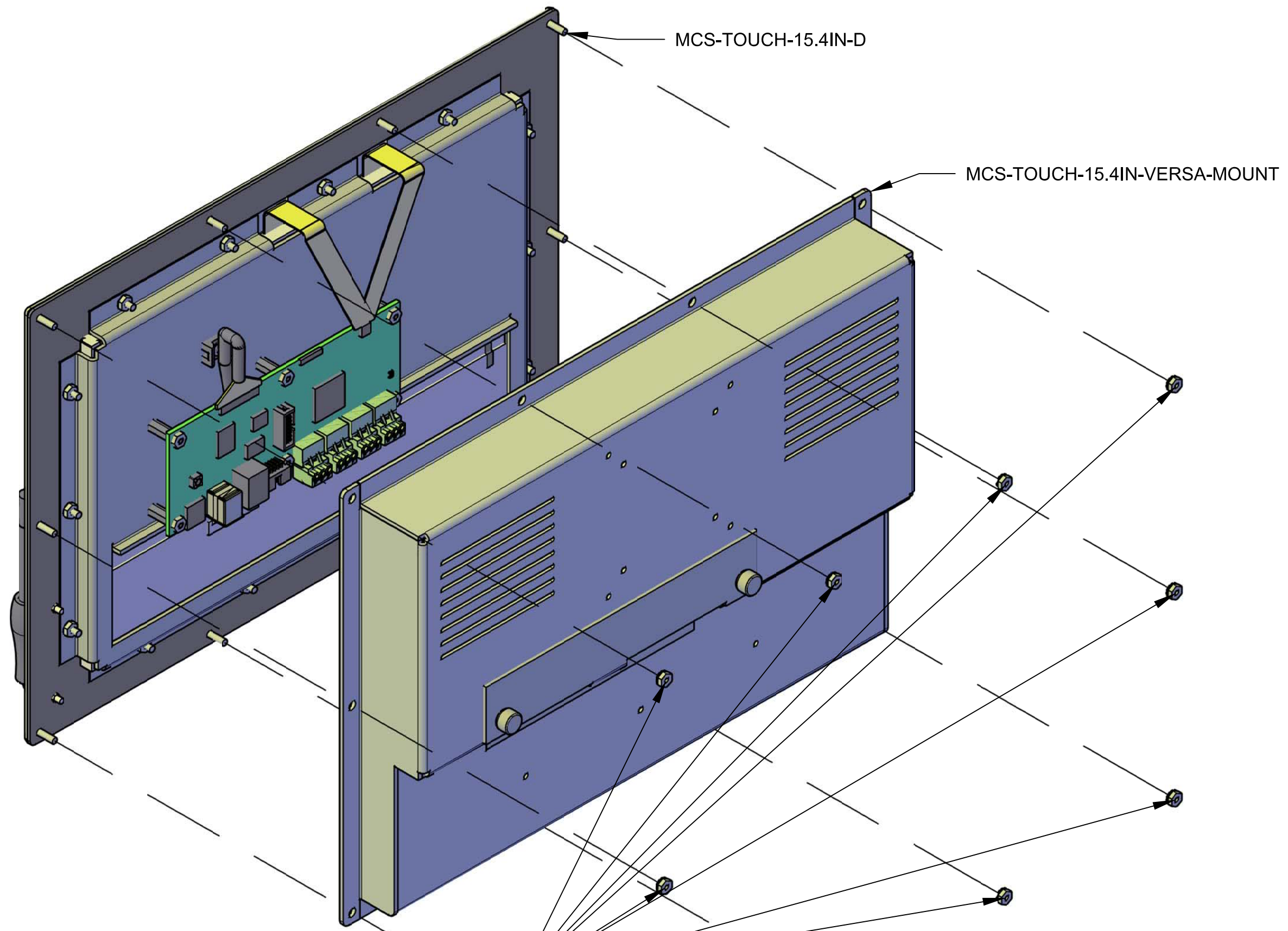
# MCS-TOUCH-15.4IN-D

	<b>MCS-TOUCH-15.4IN-D</b>	
	<b>Installation Drawing</b>	
	Desc.	Assembly Drawing
	CAD Tech	M. Schreiber © 2018
Date	June 28, 2018	
Revision	D	Page 1 of 6



**As Shipped**





**MCS-TOUCH-15.4IN-D  
Disassembly Drawing**

Desc.	Disassembly Touch
CAD Tech	M. Schreiber © 2018
Date	June 28, 2018
Revision	D Page 2 of 6



#6-32 Kep Nut w/Ext Toothwasher Steel Zinc

**Step 1: Disassembly MCS-TOUCH-15.4IN-D**

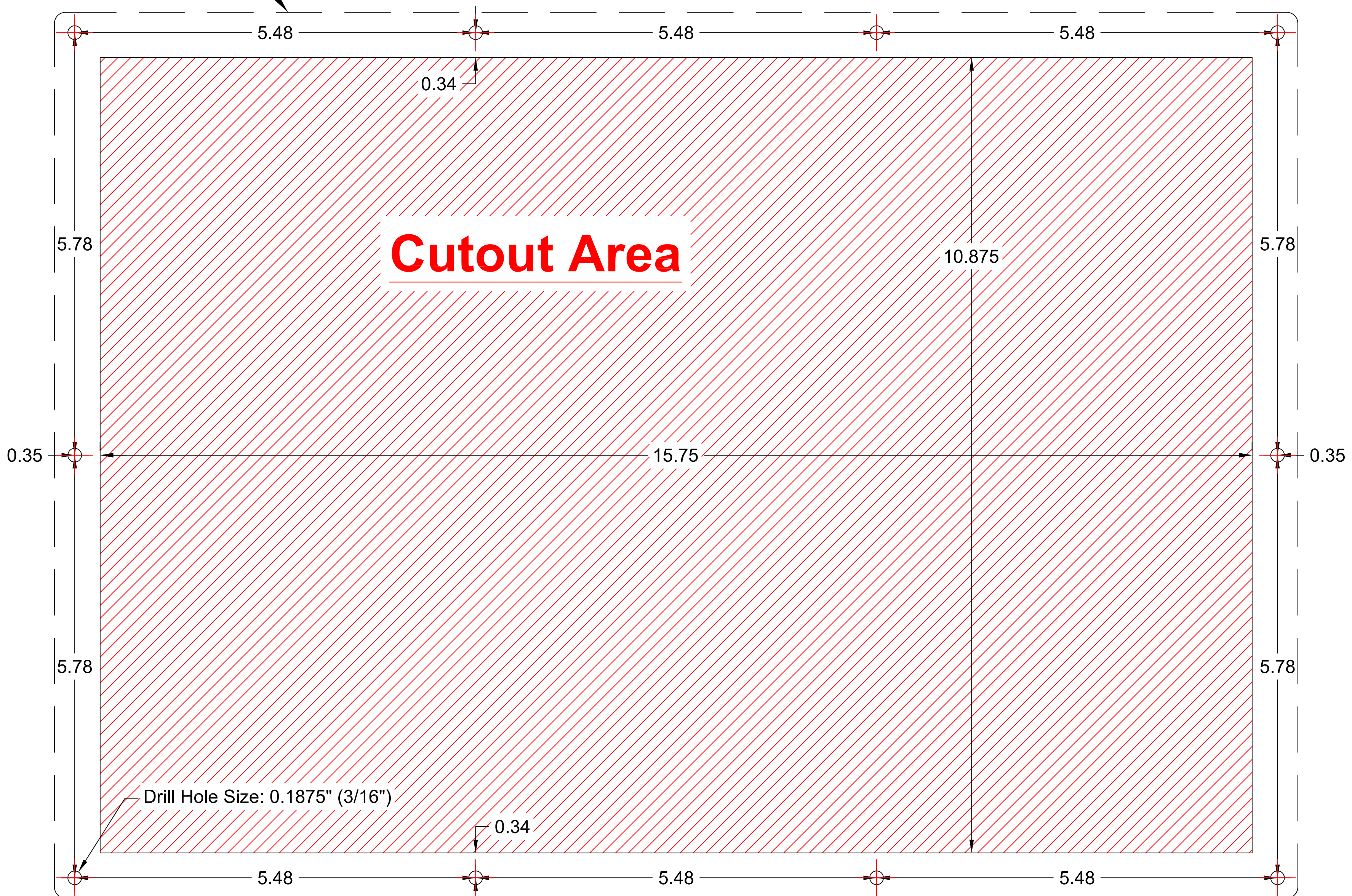
- A) Unscrew #6-32 Kep Nut w/Ext Toothwasher Steel Zinc (Qty: 10).
- B) Remove MCS-TOUCH-5.4IN-VERSA-MOUNT.



<b>MCS-TOUCH-15.4IN</b> <b>Cutout Area Dimension Drawing</b>		
Desc.	Cutout Area Dimension	
CAD Tech	M. Schreiber	© 2018
Date	June 28, 2018	
Revision	D	Page 3 of 6

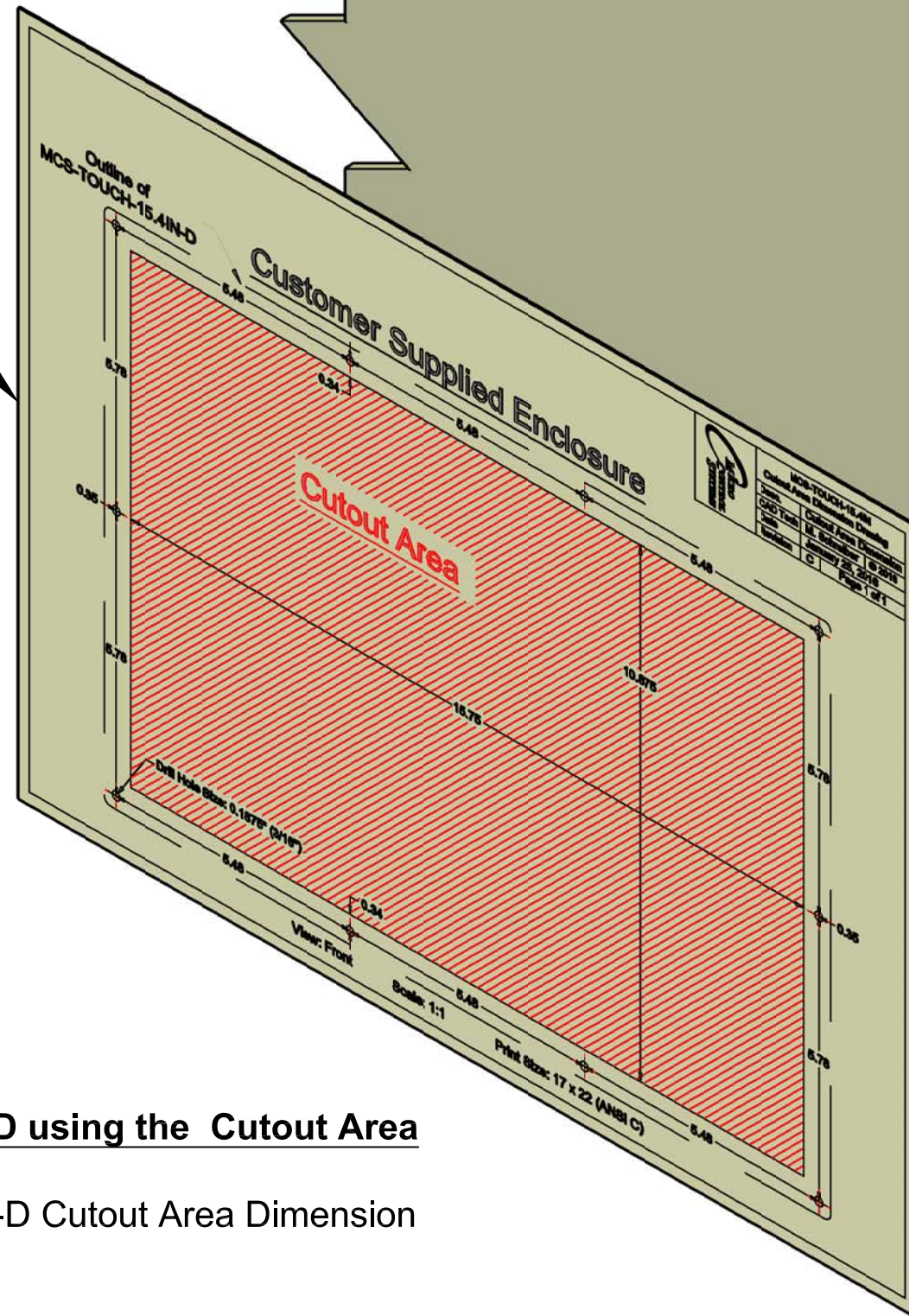
# Customer Supplied Enclosure

Outline of  
MCS-TOUCH-15.4IN-D



Drill Hole Size: 0.1875" (3/16")

MCS-TOUCH-15.4IN-D Cutout  
Area Dimension Drawing  
(Page: 3)



Customer Supplied  
Enclosure

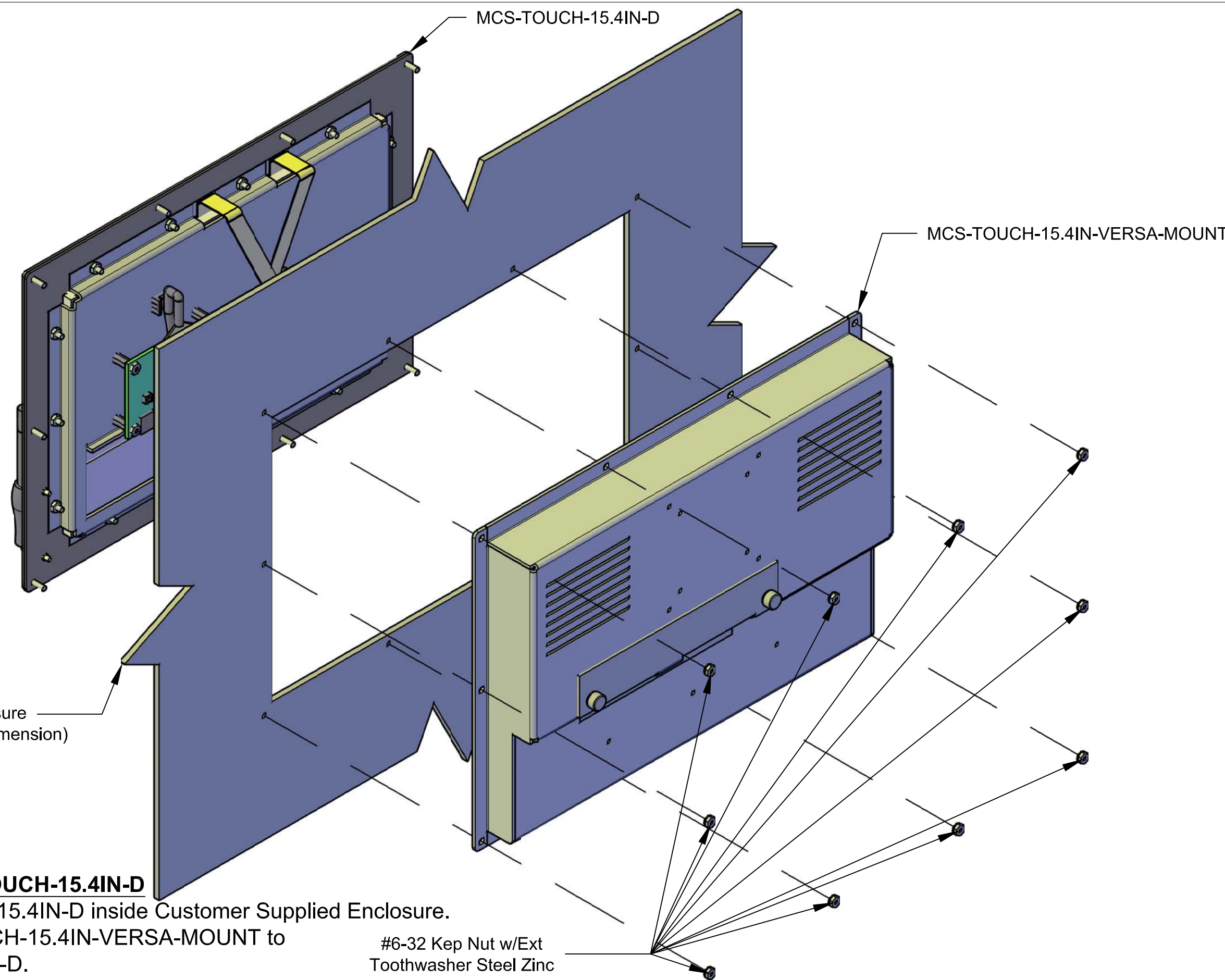
MCS-TOUCH-15.4IN-D  
Cutout Area Dimension Drawing

Desc.	Cutout Area Dimension	© 2018
CAD Tech	M. Schreiber	June 28, 2018
Date	June 28, 2018	Page 4 of 6
Revision	D	



**Step 2: Cutout for MCS-TOUCH-15.4IN-D using the Cutout Area Dimension Drawing**

- Place/Secure MCS-TOUCH-15.4IN-D Cutout Area Dimension Drawing on Enclosure.
- Cutout and Drill the identify areas.



<b>MCS-TOUCH-15.4IN-D</b>			
<b>Mounting Assembly Drawing</b>			
Desc.	Mounting Touch	CAD Tech	M. Schreiber © 2018
Date	June 28, 2018	Revision	D
			Page 5 of 6


Customer Supplied Enclosure  
(See Page 3 for Cutout Area Dimension)

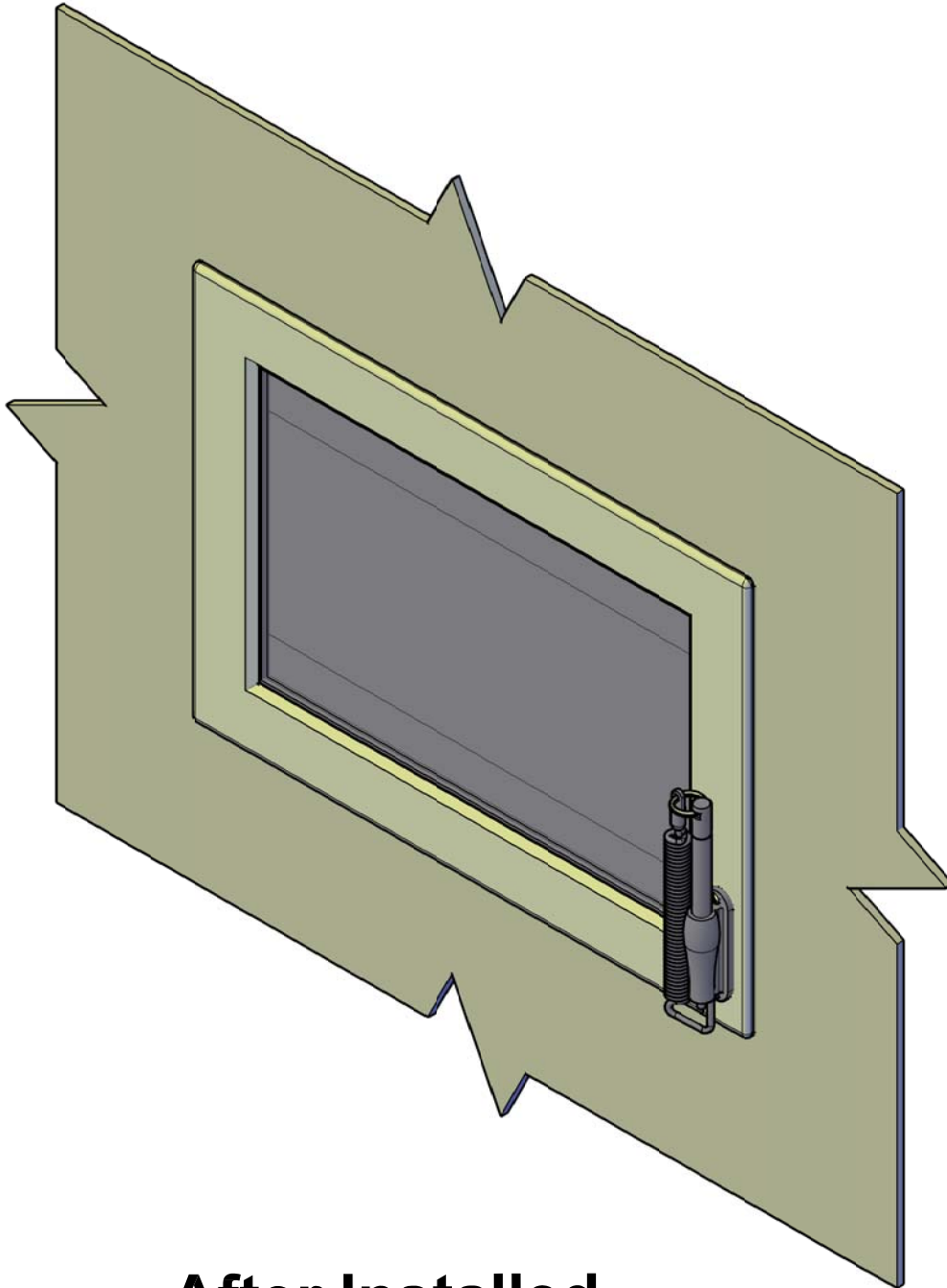
**Step 3: Mounting MCS-TOUCH-15.4IN-D**

- A) Place MCS-TOUCH-15.4IN-D inside Customer Supplied Enclosure.
- B) Mounted MCS-TOUCH-15.4IN-VERSA-MOUNT to MCS-TOUCH-10.1IN-D.
- C) Secure MCS-TOUCH-15.4IN-D and MCS-TOUCH-15.4IN-VERSA-MOUNT with #6-32 Kep Nut w/Ext Toothwasher Steel Zinc (Qty: 10).

#6-32 Kep Nut w/Ext  
Toothwasher Steel Zinc

# MCS-TOUCH-15.4IN-D

		<b>MCS-TOUCH-15.4IN-D</b>	
		<b>Installation Drawing</b>	
Desc.	Assembly Drawing		
CAD Tech	M. Schreiber	© 2018	
Date	June 28, 2018		
Revision	D	Page 6 of 6	



**After Installed**

