

REMOTE TOUCHSCREEN CONNECTED TO MCS CONTROLLERS



Take the monitoring of your chiller(s) to a quieter place!
Use a MCS-REMOTE Touchscreen in your office or
Control Room where there is less noise.

- **Works like an extension of your Industrial Control Panel located on your Chiller**
- **Remote located up to 4000 feet using RS485 (1,200m) and 295 feet (90m) using Ethernet Cat 6 cable (add router for longer distances)**
- **High Resolution (1280x800) LCD Display**
- **Preloaded with MCS-CONNECT software**
- **12 Volt Power Supply**
- **8 Port Ethernet Switch 10/100**
- **Optional Custom Graphics**



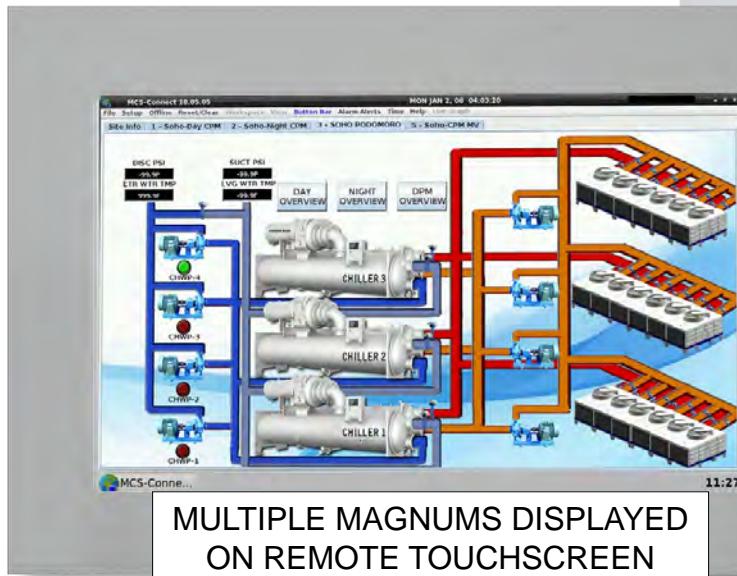
5580 Enterprise Pkwy., Fort Myers, FL 33905

Office: (239) 694-0089 Fax: (239) 694-0031

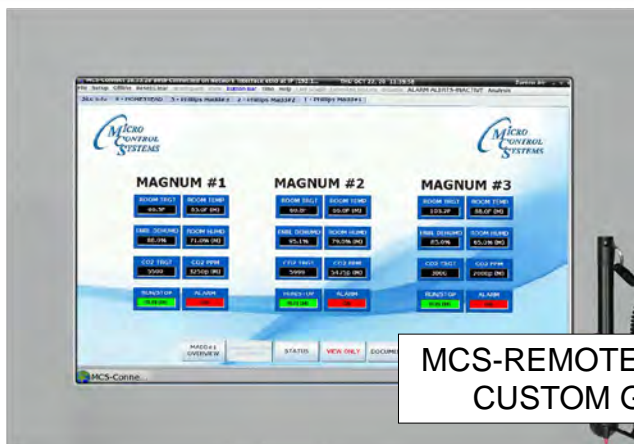
www.mcscontrols.com

MCS-REMOTE TOUCHSCREEN

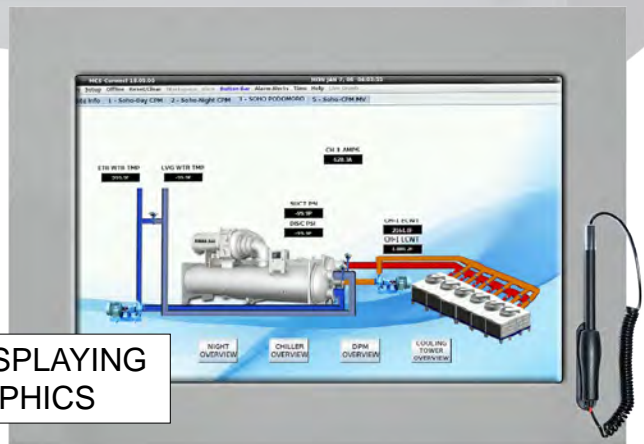
MCS-CONNECT and CUSTOM GRAPHICS



MULTIPLE MAGNUMS DISPLAYED ON REMOTE TOUCHSCREEN



MCS-REMOTE DISPLAYING CUSTOM GRAPHICS



Custom Graphics for your plant configuration can be designed to show the operation of the chiller(s) that the **MCS-REMOTE TOUCHSCREEN** is communicating with (up to 60). Vital information will be displayed on the MCS-TOUCH display in your control room. Various graphics screens can be designed to help see the information of the plant chiller(s) and their operation.

Industrial Control Panel for the MCS-TOUCH-15.4 or the MCS-TOUCH 10.1:

Kit Components

- 12VDC - Power Supply
- Electrical Outlet for a laptop
- 8 Port Ethernet Switch - 10/100

(A NEMA4 Industrial Control panel must be used for outdoor installation to provide a degree of protection against wind-blown dust and rain, splashing water, and hose directed water; undamaged by ice which forms on the enclosure).

Other options available, call 239-694-0089 or email sales@mcscontrols.com

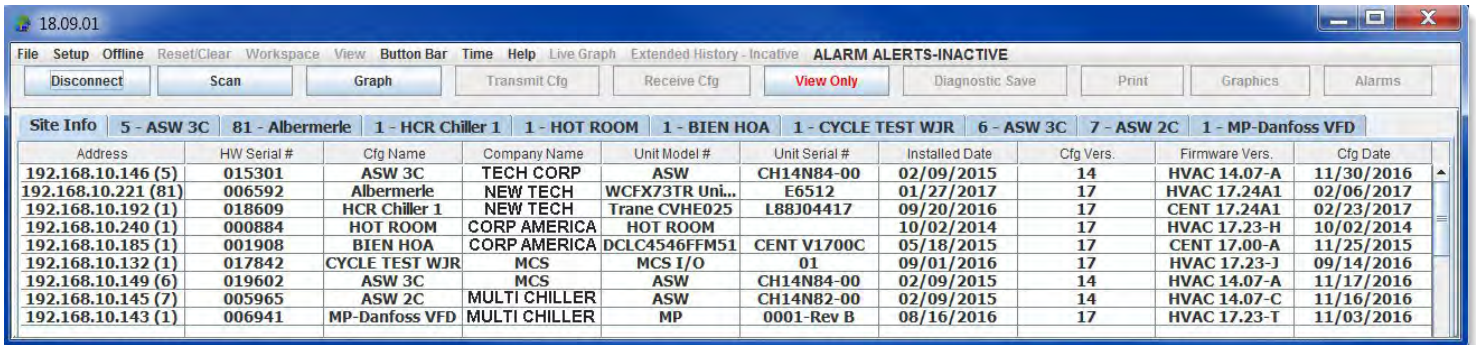
PRECISION MONITORING WITH MCS-REMOTE

... for Multiple Chillers and HVAC Systems

Building owners, operators and managers are faced with running their HVAC systems in the most efficient and effective way possible. Managing systems for optimal energy usage, dependable operation and precise comfort often requires their full attention....and then some.

Compatibility - The MCS-TOUCHSCREEN is a "User Friendly" interface that can be added to existing MCS controllers. The touchscreen is also available with a new MCS control order when upgrading your obsolete / outdated controls. Our controllers can be retrofitted to most existing chillers used in the industry today.

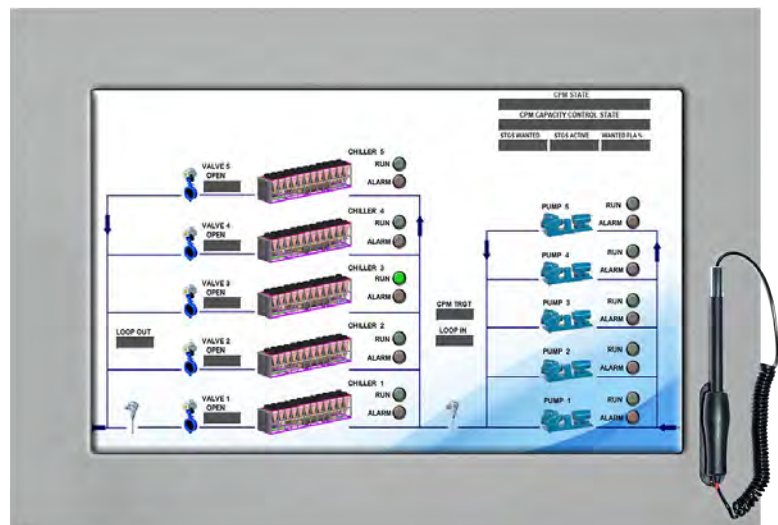
Multi-Chiller Monitoring - One MCS-TOUCHSCREEN is capable of monitoring up to SIXTY separate chillers with MCS Controllers for maximum chiller control. MCS-CONNECT scans for available MCS Controllers on the network as shown below. *You simply choose the MCS Controller you want to monitor.*



Site Info	5 - ASW 3C	81 - Albermerle	1 - HCR Chiller 1	1 - HOT ROOM	1 - BIEN HOA	1 - CYCLE TEST WJR	6 - ASW 3C	7 - ASW 2C	1 - MP-Danfoss VFD
Address	HW Serial #	Cfg Name	Company Name	Unit Model #	Unit Serial #	Installed Date	Cfg Vers.	Firmware Vers.	Cfg Date
192.168.10.146 (5)	015301	ASW 3C	TECH CORP	ASW	CH14N84-00	02/09/2015	14	HVAC 14.07-A	11/30/2016
192.168.10.221 (81)	006592	Albermerle	NEW TECH	WCFX73TR Uni..	E6512	01/27/2017	17	HVAC 17.24A1	02/06/2017
192.168.10.192 (1)	018609	HCR Chiller 1	NEW TECH	Trane CVHE025	L88J04417	09/20/2016	17	CENT 17.24A1	02/23/2017
192.168.10.240 (1)	000884	HOT ROOM	CORP AMERICA	HOT ROOM		10/02/2014	17	HVAC 17.23-H	10/02/2014
192.168.10.185 (1)	001908	BIEN HOA	CORP AMERICA	DCLC4546FFM51	CENT V1700C	05/18/2015	17	CENT 17.00-A	11/25/2015
192.168.10.132 (1)	017842	CYCLE TEST WJR	MCS	MCS I/O	01	09/01/2016	17	HVAC 17.23-J	09/14/2016
192.168.10.149 (6)	019602	ASW 3C	MCS	ASW	CH14N84-00	02/09/2015	14	HVAC 14.07-A	11/17/2016
192.168.10.145 (7)	005965	ASW 2C	MULTI CHILLER	ASW	CH14N82-00	02/09/2015	14	HVAC 14.07-C	11/16/2016
192.168.10.143 (1)	006941	MP-Danfoss VFD	MULTI CHILLER	MP	0001-Rev B	08/16/2016	17	HVAC 17.23-T	11/03/2016

The MCS-TOUCHSCREEN comes preloaded with the MCS-CONNECT software and once attached to the network, can monitor MCS-MAGNUMS or the MicroMags to view the 'unit's status', 'extended history', 'alerts', 'alarms', 'setpoints', and more, all in a user-friendly graphic format.

- *Key chiller operating parameters are easily viewed and displayed on a single display screen for quick evaluation and decision making.*





**Providing HVAC/R
Solutions Worldwide**

The MCS Commitment

The founders of Micro Control Systems, Inc. have been in the manufacturing of Microprocessor Controls their entire careers and have over eight decades of combined HVAC/R Microprocessor Controls experience. MCS was founded to meet the needs of the Utility and HVAC/R Industries with products based on the following design criteria:

- ◆ **Quality & Service**
- ◆ **Cost Effectiveness**
- ◆ **Ease of Use**

Our commitment is to provide practical solutions for the industries needs and to be both a leader, and partner in the effective use of Microprocessor Controls.

5580 Enterprise Pkwy., Fort Myers, FL 33905
Office: (239) 694-0089 Fax: (239) 694-0031

www.mcsccontrols.com