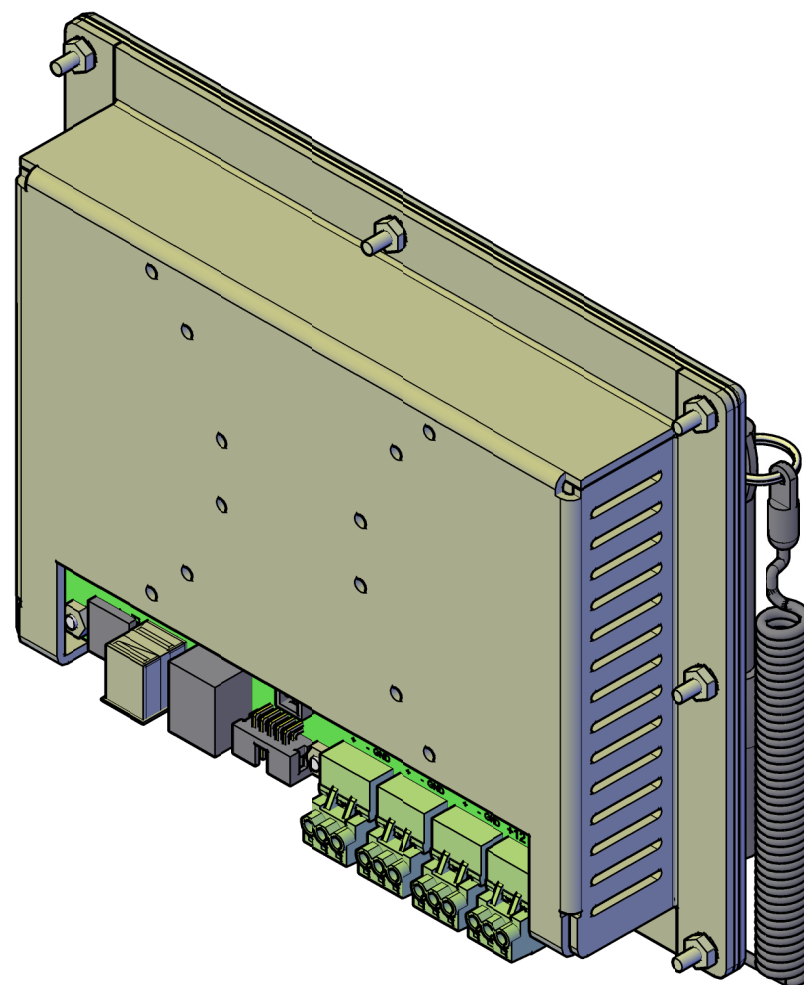
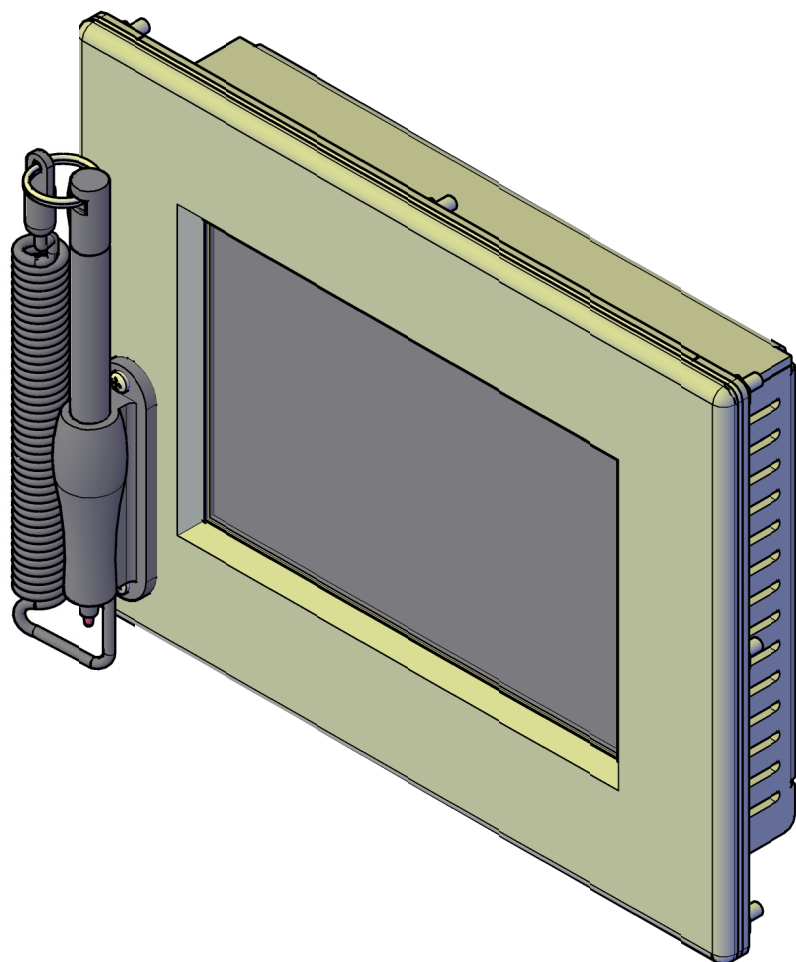


MCS-TOUCH-7IN-D

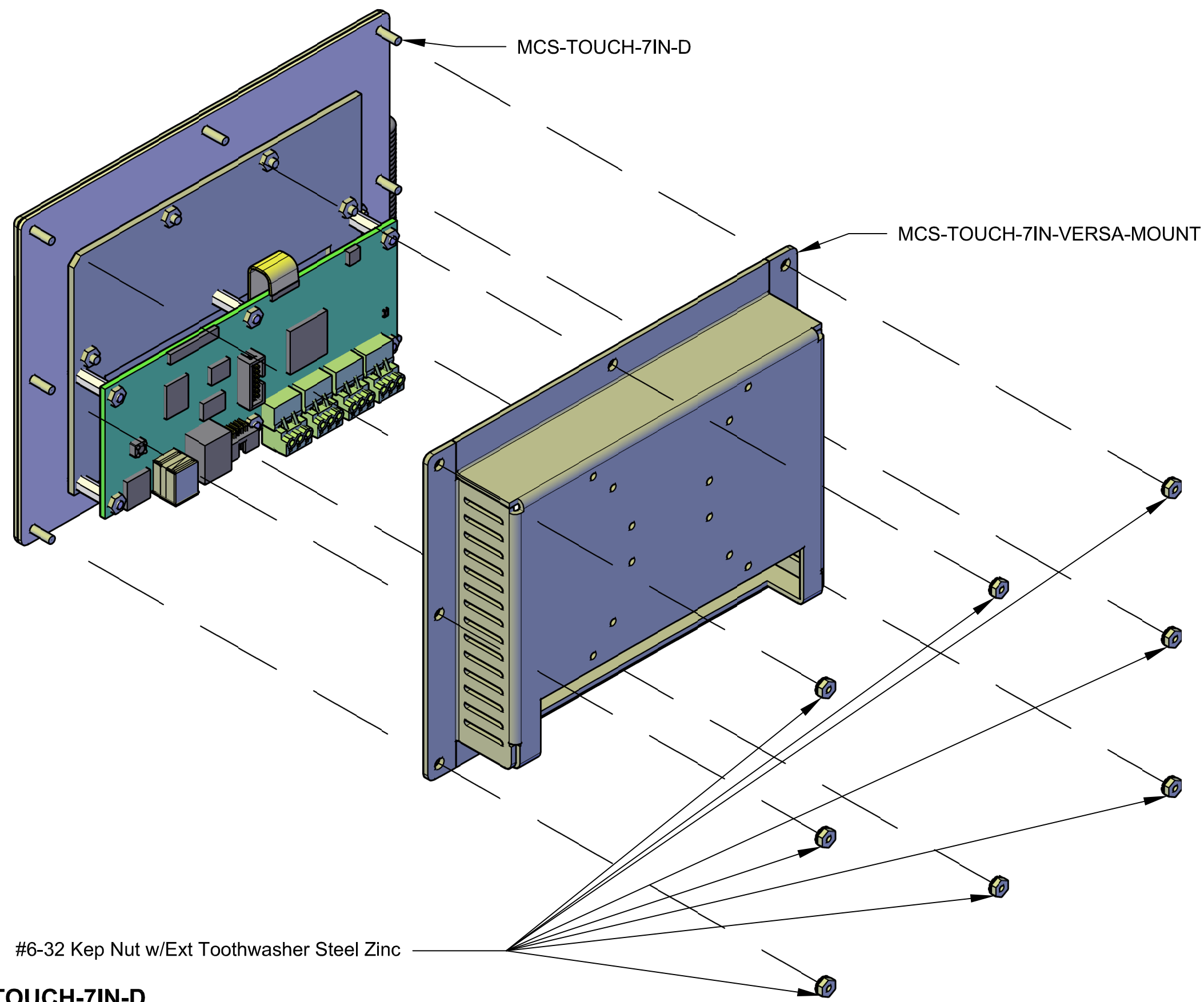


MCS-TOUCH-7IN-D Installation Drawing

Desc.	Assembly Drawing	
CAD Tech	I.Mitchell	© 2017
Date	June 27, 2018	
Revision	C	Page 1 of 8



As Shipped



#6-32 Kep Nut w/Ext Toothwasher Steel Zinc

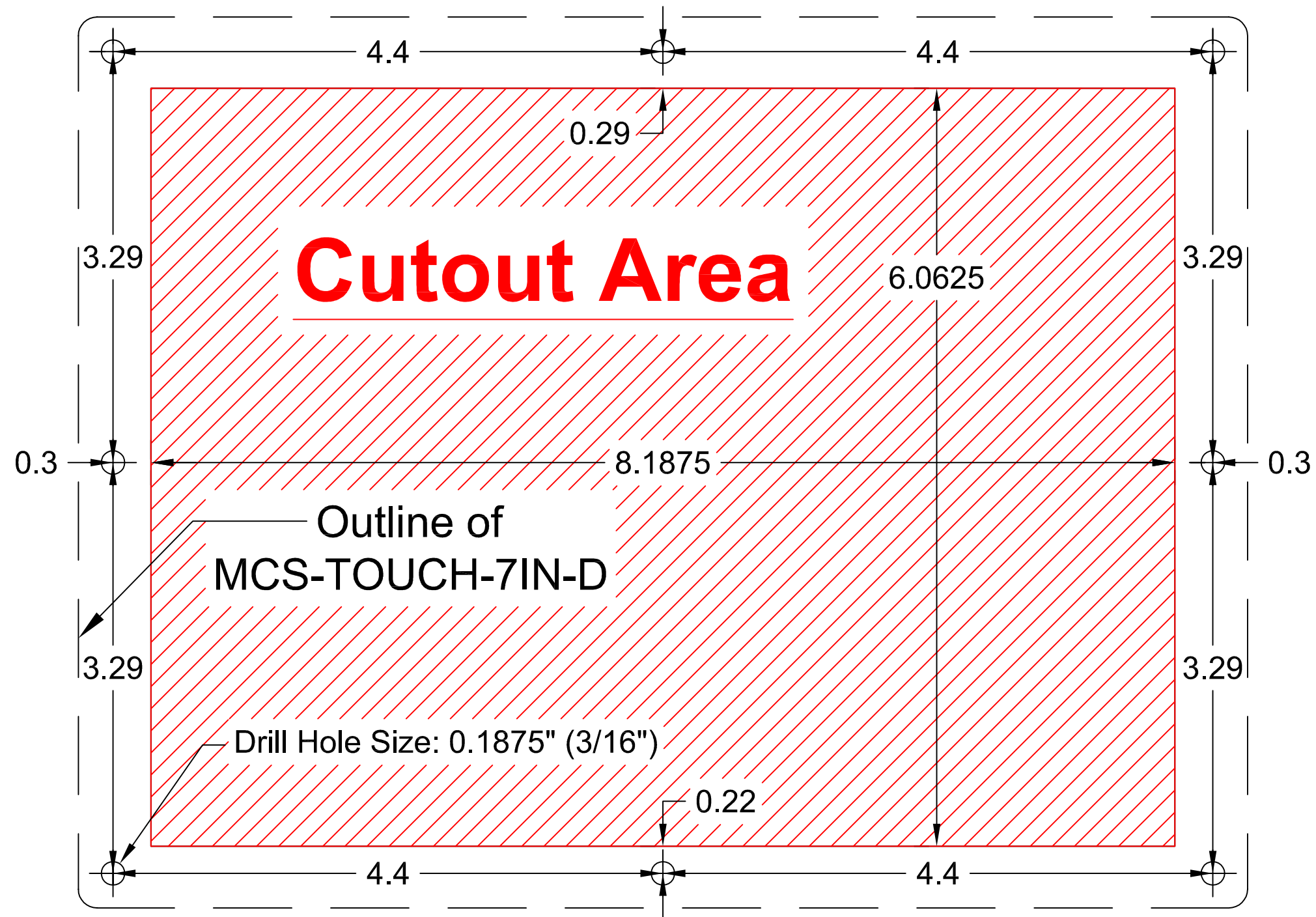
Step 1: Disassembly MCS-TOUCH-7IN-D

- A) Unscrew #6-32 Kep Nut w/Ext Toothwasher Steel Zinc (Qty: 8).
- B) Remove MCS-TOUCH-7IN-VERSA-MOUNT.

MCS-TOUCH-7IN-D	
Disassembly Drawing	
Desc.	Disassembly Touch
CAD Tech	I.Mitchell © 2017
Date	June 27, 2018
Revision	C Page 2 of 8



Customer Supplied Enclosure



View: Front

Scale: 1:1

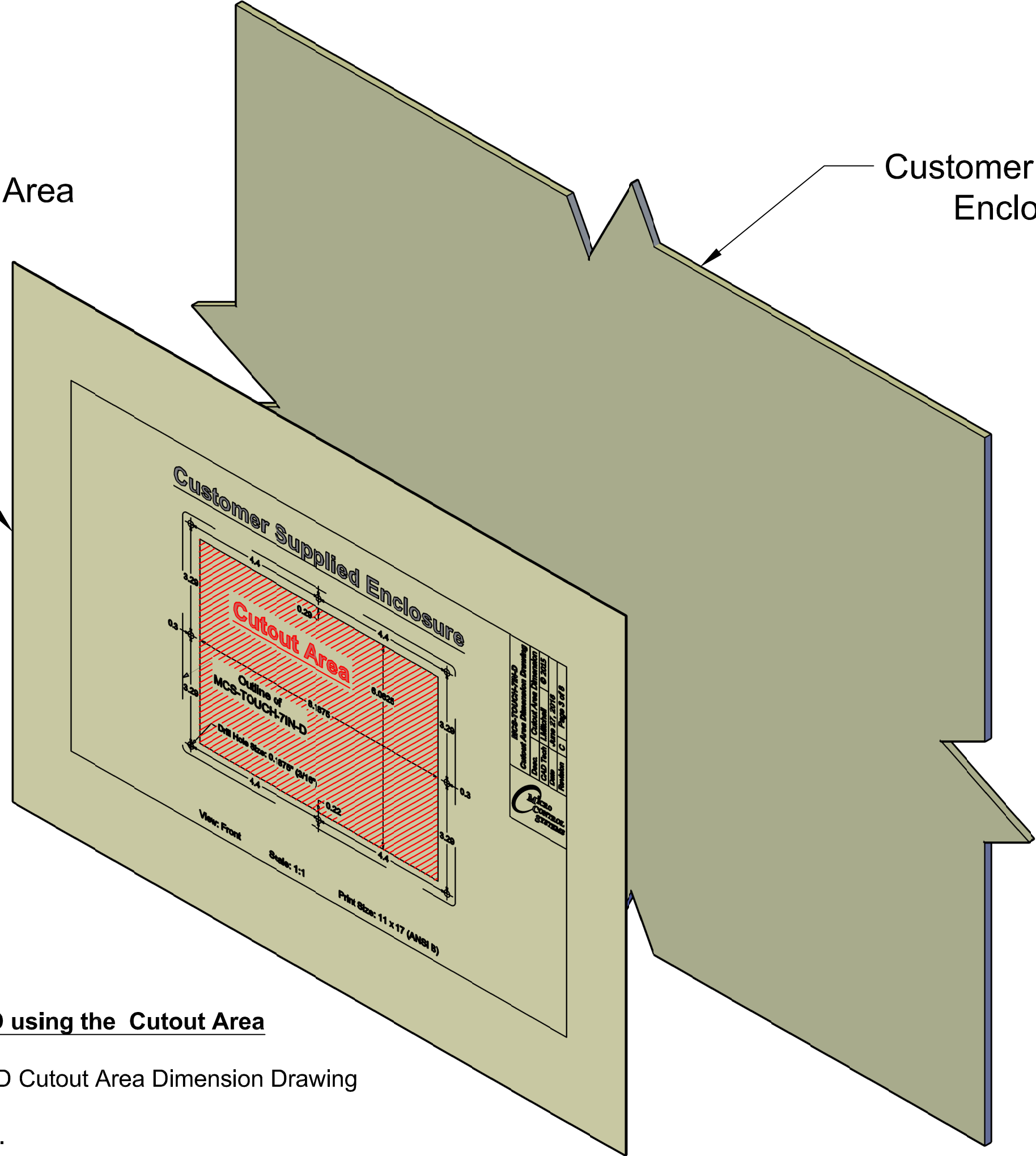
Print Size: 11 x 17 (ANSI B)

MCS-TOUCH-7IN-D	
Cutout Area Dimension Drawing	
Desc.	Cutout Area Dimension
CAD Tech	I. Mitchell © 2015
Date	June 27, 2018
Revision	C
	Page 3 of 8



MCS-TOUCH-7IN-D Cutout Area Dimension Drawing (Page: 3)

Customer Supplied Enclosure

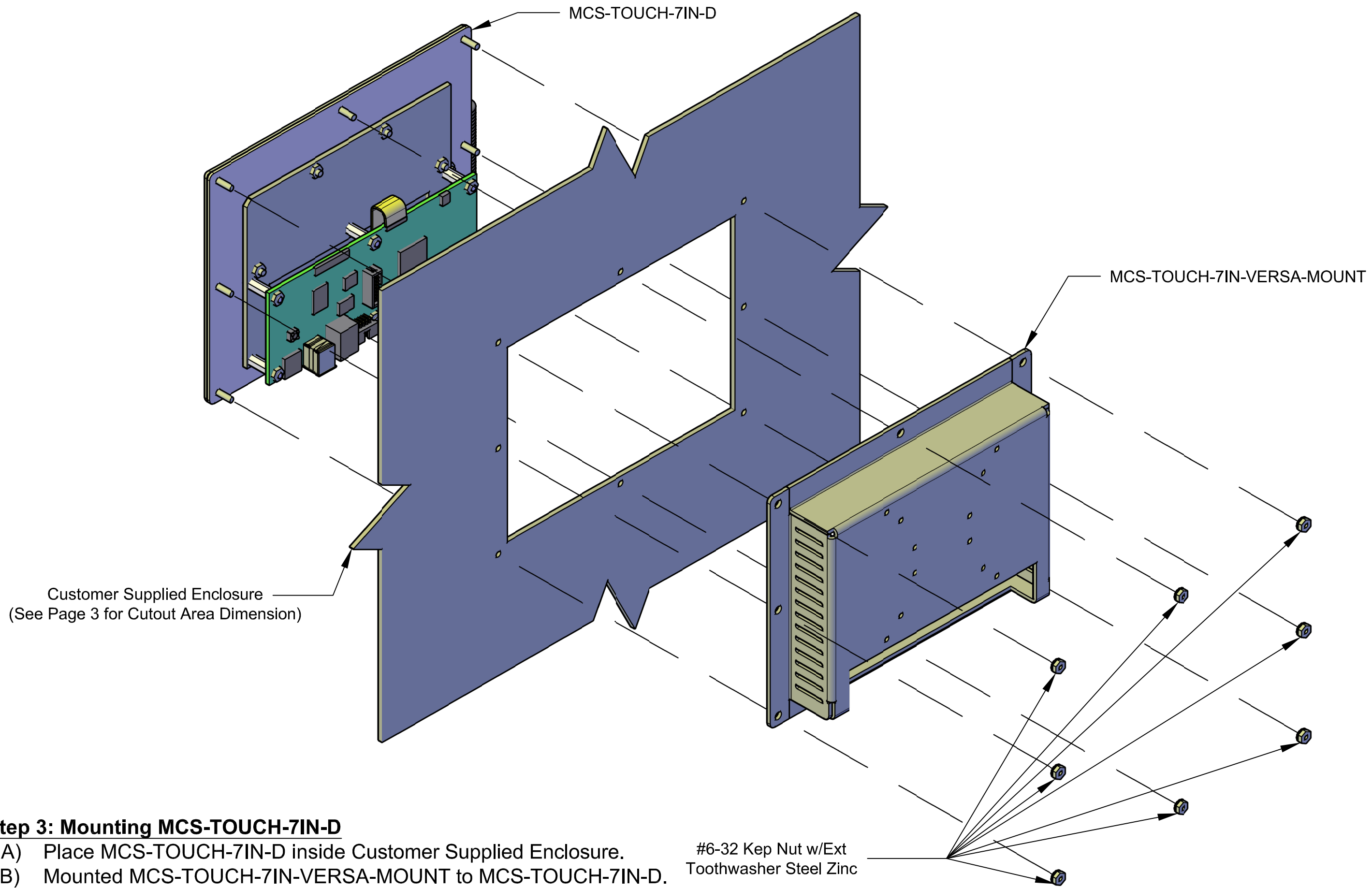


MCS-TOUCH-7IN-D	
Cutout Area Dimension Drawing	
Desc.	Cutout Area Dimension
CAD Tech	I.Mitchell
Date	June 27, 2018
Revision	C
Page 4 of 8	



Step 2: Cutout for MCS-TOUCH-7IN-D using the Cutout Area Dimension Drawing

- A) Place/Secure MCS-TOUCH-7IN-D Cutout Area Dimension Drawing on Enclosure.
- B) Cutout and Drill the identify areas.




Step 3: Mounting MCS-TOUCH-7IN-D

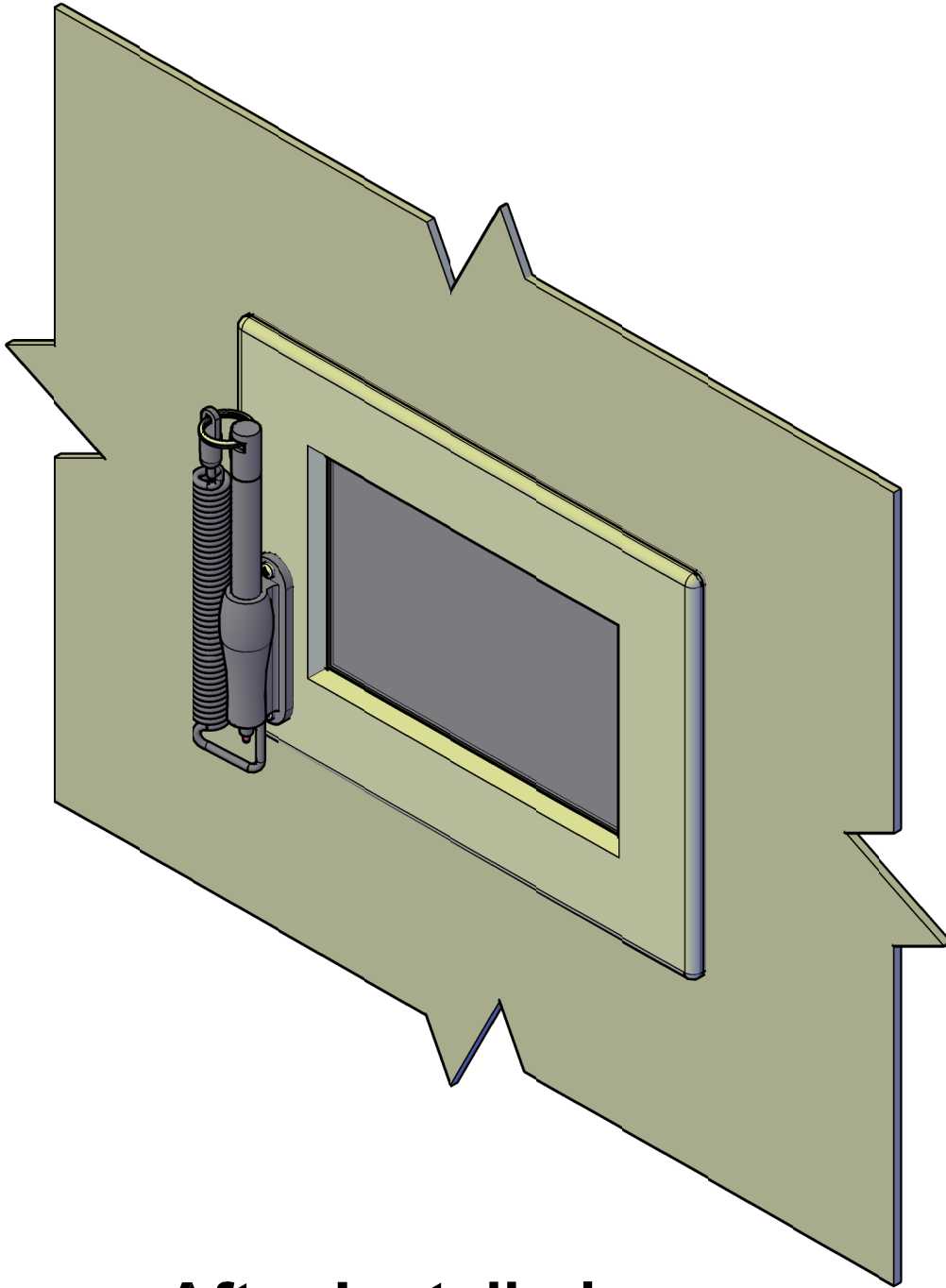
- A) Place MCS-TOUCH-7IN-D inside Customer Supplied Enclosure.
- B) Mounted MCS-TOUCH-7IN-VERSA-MOUNT to MCS-TOUCH-7IN-D.
- C) Secure MCS-TOUCH-7IN-D and MCS-TOUCH-7IN-VERSA-MOUNT with #6-32 Kep Nut w/Ext Toothwasher Steel Zinc (Qty: 8).

MCS-TOUCH-7IN-D			
Mounting Assembly Drawing			
Desc.	Mounting Touch	© 2017	
CAD Tech	I.Mitchell	Date	June 27, 2018
Revision	C	Page 5 of 8	

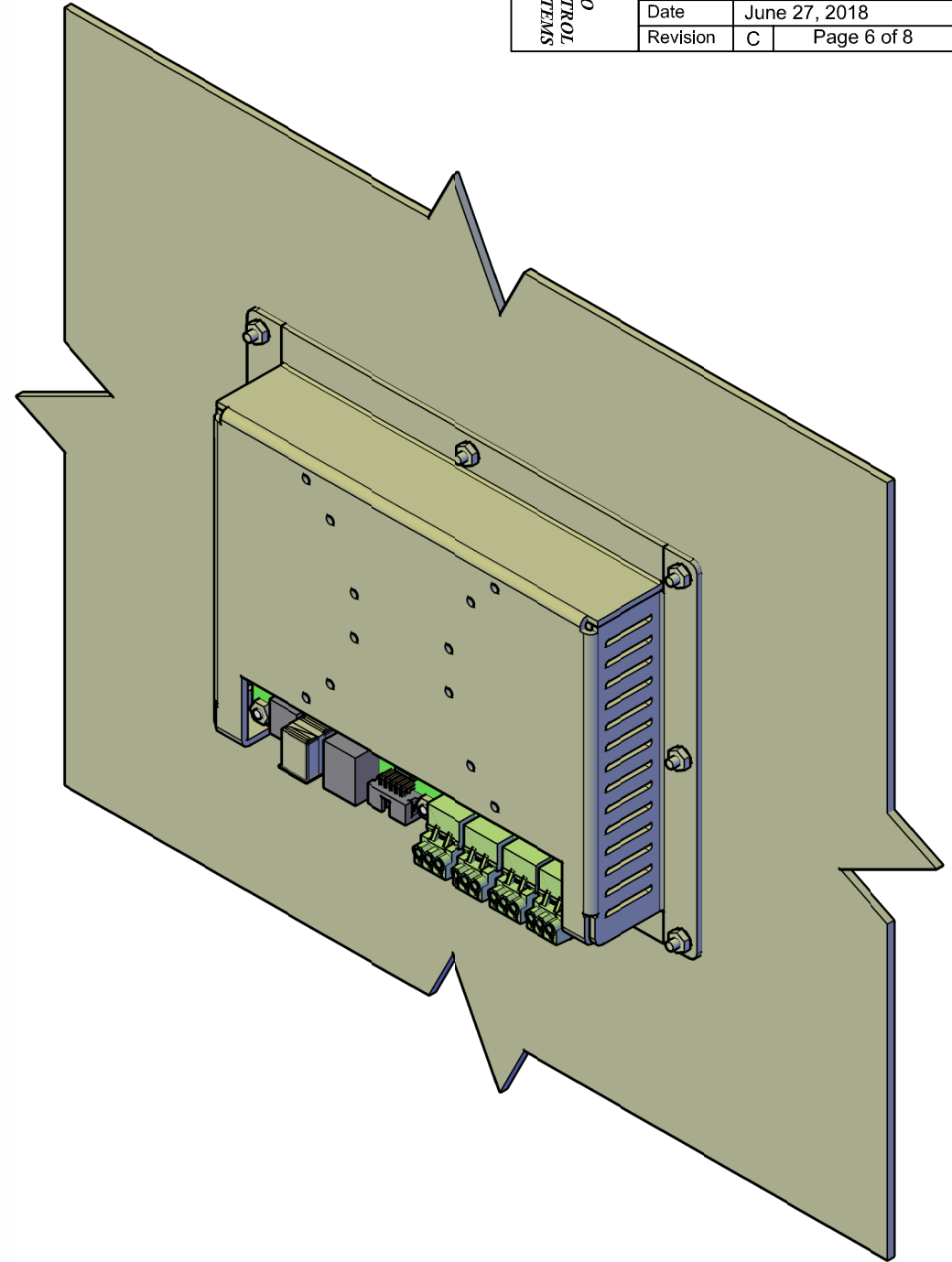


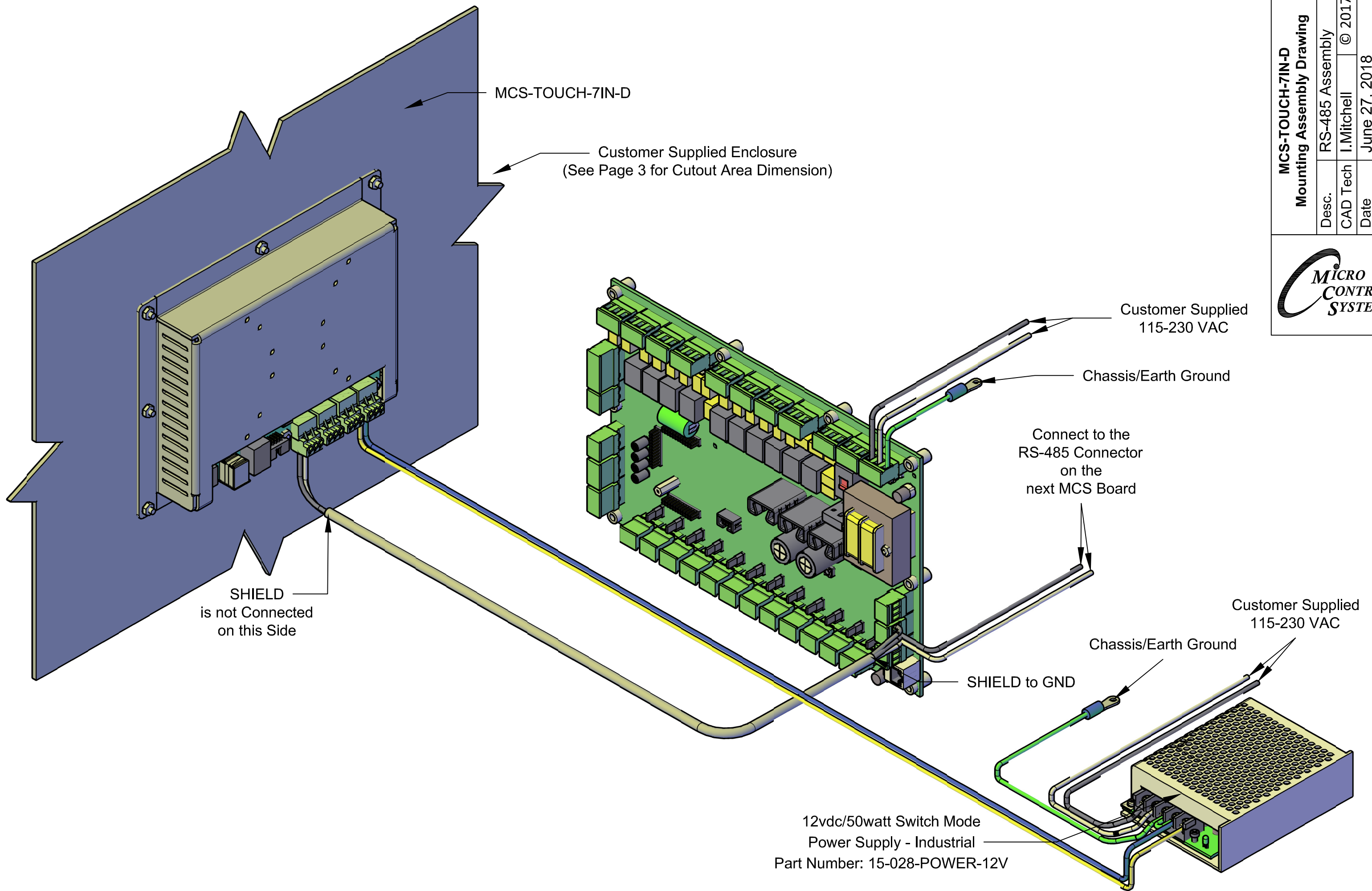
MCS-TOUCH-7IN-D

	MCS-TOUCH-7IN-D Installation Drawing	
	Desc.	Assembly Drawing
	CAD Tech	I.Mitchell © 2017
	Date	June 27, 2018
Revision	C	Page 6 of 8



After Installed

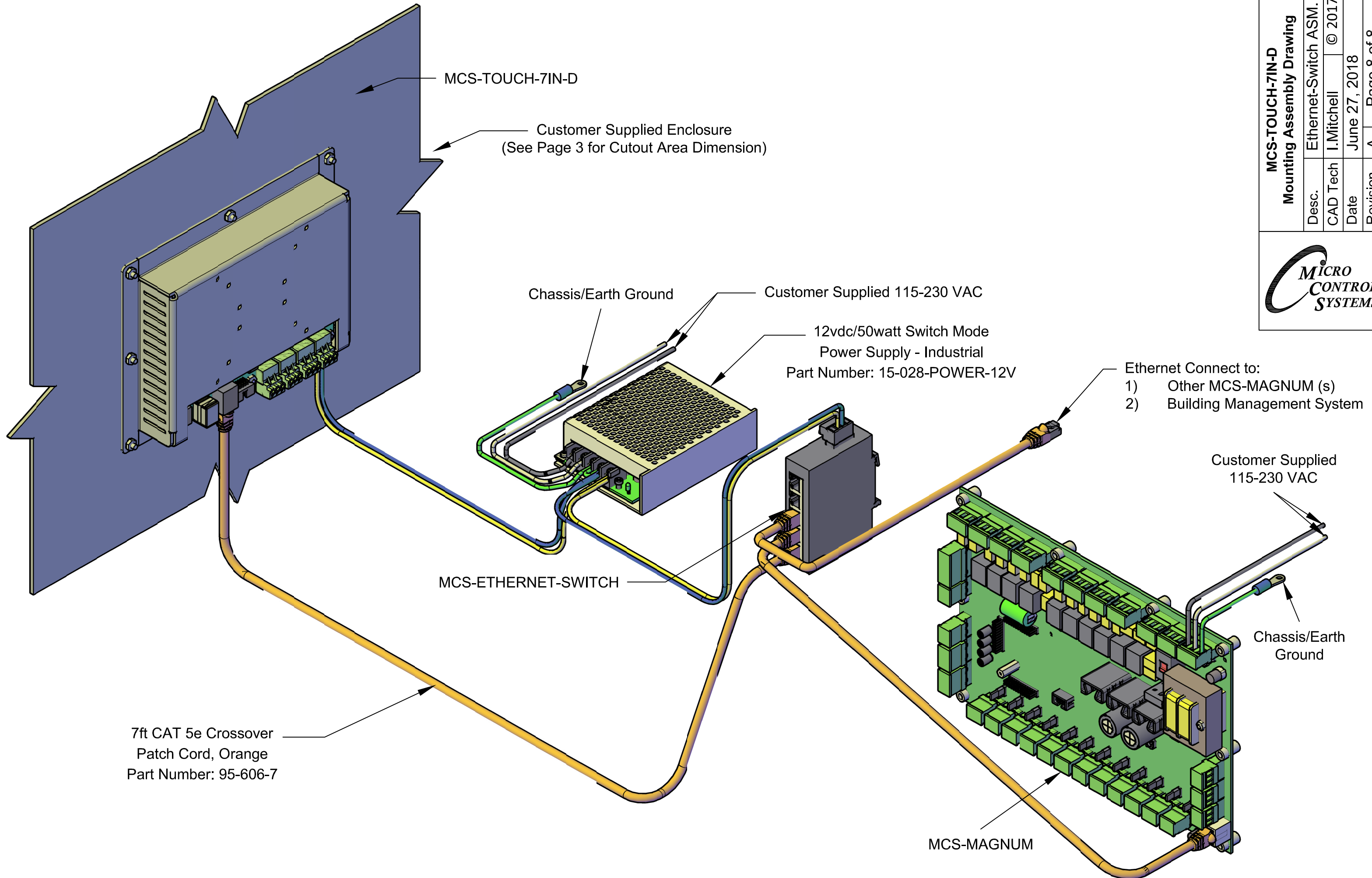




**MCS-TOUCH-7IN-D
Mounting Assembly Drawing**

Desc.	RS-485 Assembly	© 2017
CAD Tech	I.Mitchell	
Date	June 27, 2018	
Revision	C	Page 7 of 8





MCS-TOUCH-7IN-D	
Mounting Assembly Drawing	
Desc.	Ethernet-Switch ASM.
CAD Tech	I.Mitchell
Date	June 27, 2018
Revision	A
Page 8 of 8	

