



APPLICATION NOTE

APP #138

Revision History

Date	Author	Description
11-27-19	DEW	Setup

Startup Guide

MCS-MSTP-ROUTER

BAS Router (BACnet Multi-Network Router)



Any questions regarding this release, contact: support@mcscontrols.com

Micro Control Systems, Inc. 5580 Enterprise Parkway Fort Myers, Florida 33905
(239)694-0089 FAX: (239)694-0031 www.mcscontrols.com

Information contained in this document has been prepared by Micro Control Systems, Inc. and is copyright © protected 2017.
Copying or distributing this document is prohibited unless expressly approved by MCS.

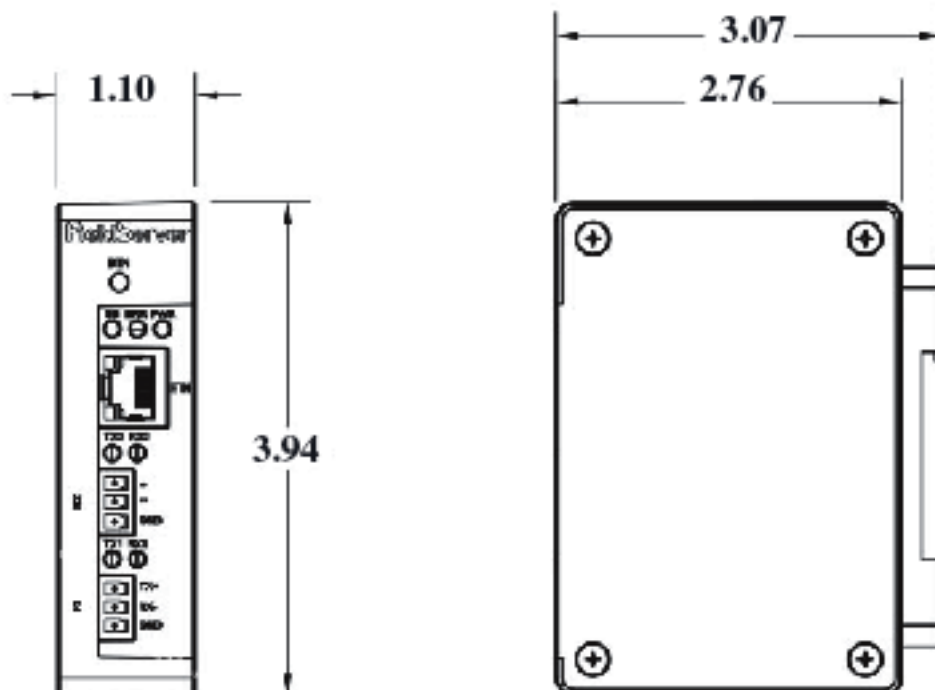
1.1. EQUIPMENT SETUP

1.1.1 Mounting

The BACnet Router can be mounted using the DIN rail mounting bracket on the back of the unit.



1.1.2 Dimension details

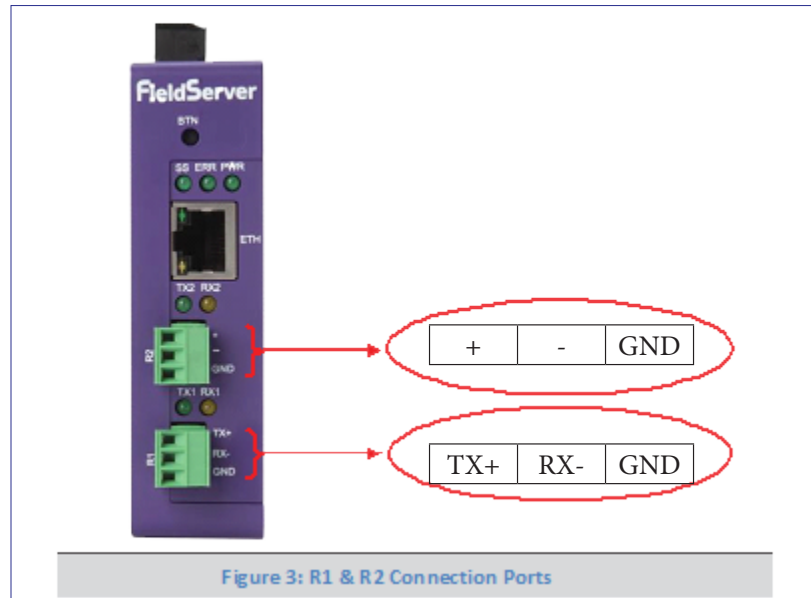


1.1.3 Connecting the R1 and R2 Ports

The R1 and R2 Ports are RS-485.

NOTE: For the R1 Port, ensure RS-485 is selected by checking that the number 4 DIP Switch is set to the left side.

Connect to the 3-pin connector(s) as shown below.



The following baud rates are supported: 9600, 19200, 38400, 76800

1.2. Wiring

RS-485	
BMS RS-485 Wiring	Gateway Pin Assignment
RS-485 +	TX +
RS-485 -	RX -
GND	GND

NOTE: Use standard grounding principles for GND.

1.3. 10/100 Ethernet Connection Port

The Ethernet Port is used both for BACnet/IP communications and for configuring the BACnet Router via the Web App. To connect the BACnet Router, either connect the PC to the Router's Ethernet port or connect the Router and PC to an Ethernet switch. Use Cat-5 cables for the connection.

NOTE: The Default IP Address of the BACnet Router is 192.168.2.101, Subnet Mask is 255.255.255.0.



Providing HVAC/R Control Solutions Worldwide

5580 Enterprise Pkwy. Fort Myers, FL 33905

Office: (239) 694-0089

Fax: (239) 694-0031

www.mcscontrols.com