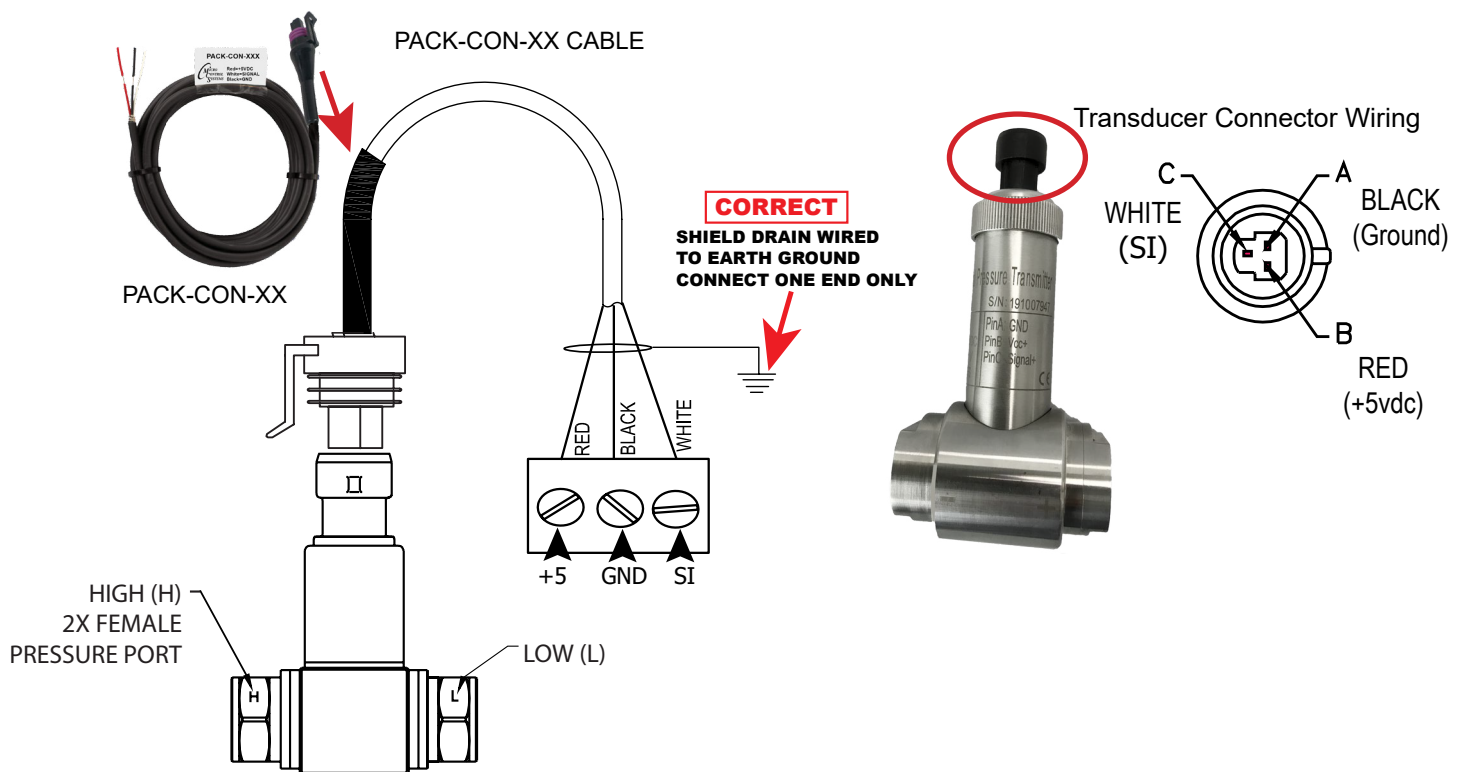




# APPLICATION NOTE

## APP120 WIRING MCS-050-DIFFB TRANSDUCERS USING PACK-CON-XX CABLE



Wiring to the Controller

MCS-PAC-CON-XX Connector	WIRE	Sensor Signal
PIN A	BLACK	GROUND
PIN B	RED	+5VDC
PIN C	WHITE	SI



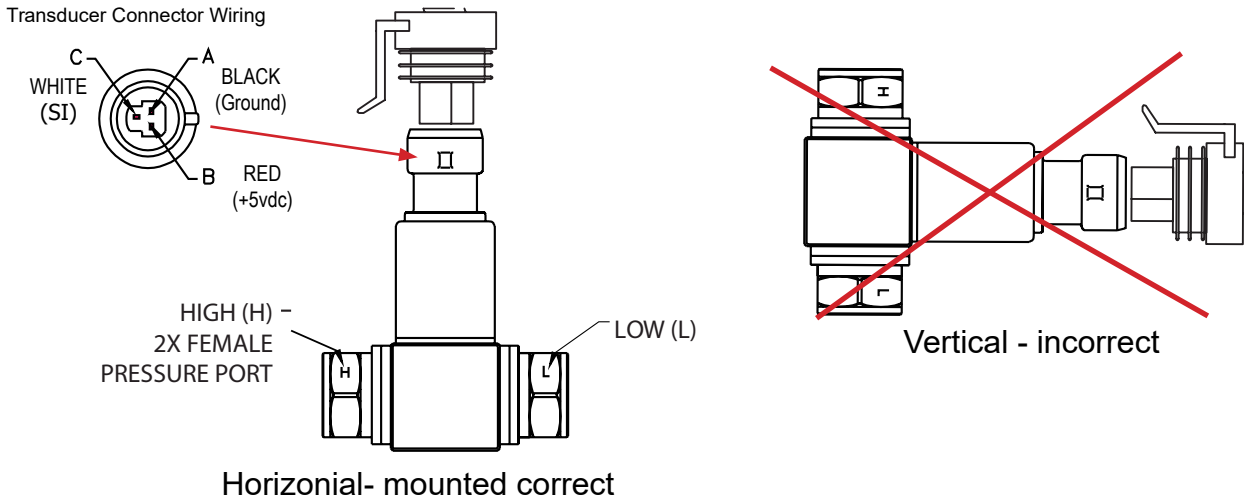
**NOTICE:**  
If the sensor is replacing an older version (MCS-050-DIFF) a wiring change may be necessary as shown on left.

**SEE MOUNTING INSTALLATION FOR MCS-050-DIFF TRANSDUCER ON NEXT PAGE**

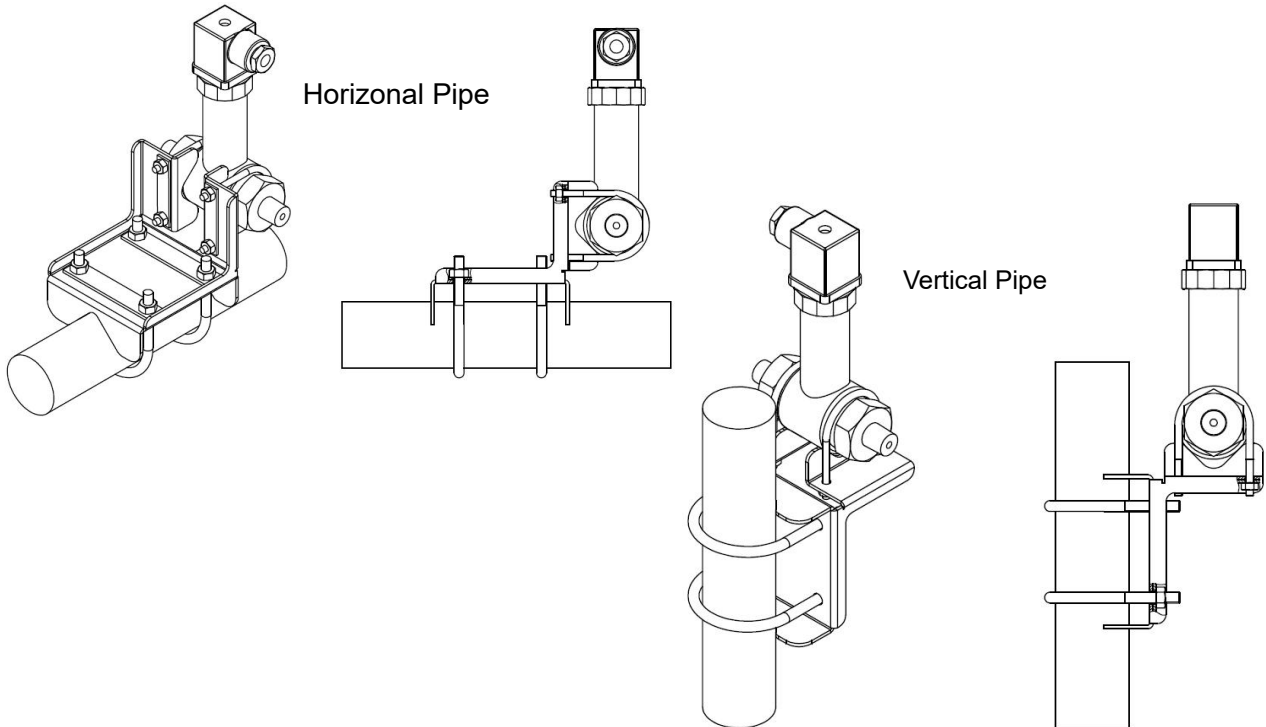
# INSTALLATION

Below shows the proper mounting of the MCS-050-DIFF in a Horizontal position.

Pressure Connections - NPT1/4(female)



Illustrations below show the proper mounting using the optional BRACKET, not included.



Any questions regarding this release, contact:  
[support@mcscontrols.com](mailto:support@mcscontrols.com)

Micro Control Systems, Inc. 5580 Enterprise Parkway Fort Myers, Florida 33905  
(239)694-0089 FAX: (239)694-0031 [www.mcscontrols.com](http://www.mcscontrols.com)

Information contained in this document has been prepared by Micro Control Systems, Inc. and is copyright © protected 2022  
Copying or distributing this document is prohibited unless expressly approved by MCS.