



APPLICATION NOTE

APP #071

Revision History

Date	Author	Description
05/16/11	Weston Klebs	Created application note
1-19-21	DEW	Setup

MCS-Phase

Programmable Three Phase Voltage Monitor
with 25-Fault Memory



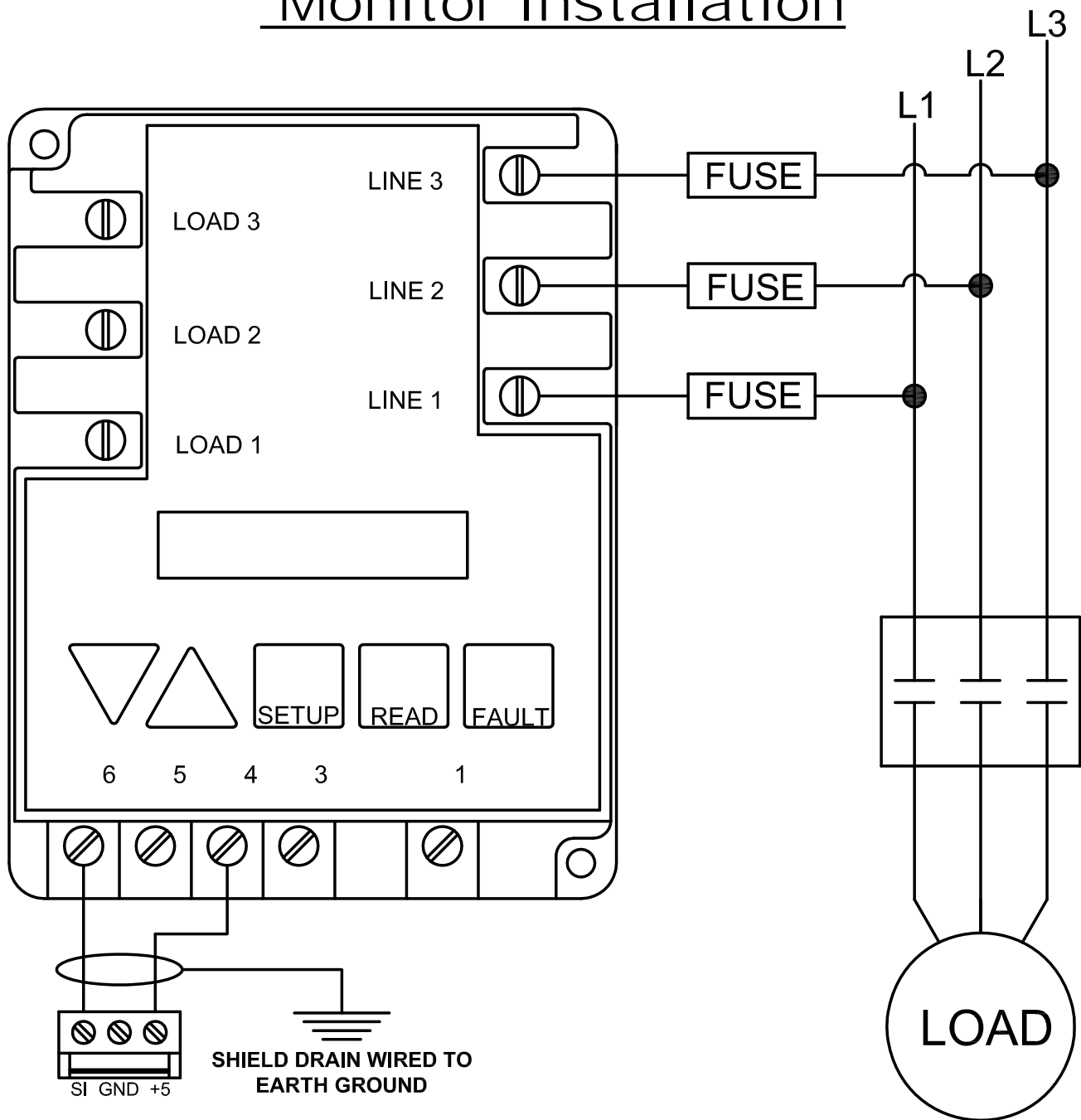
Any questions regarding this release, contact: support@mcscontrols.com

Micro Control Systems, Inc. 5580 Enterprise Parkway Fort Myers, Florida 33905
(239)694-0089 FAX: (239)694-0031 www.mcscontrols.com

Information contained in this document has been prepared by Micro Control Systems, Inc. and is copyright © protected 2021.
Copying or distributing this document is prohibited unless expressly approved by MCS.

MCS-PHASE

Monitor Installation



1. Press the green setup button to enter setup mode.
2. Setup LED will light.
3. Scroll through setup by pressing the setup button until you find Line Voltage. Use arrows to set parameters.
4. Scroll through setup by pressing the setup button until you find Control Mode. Use arrows to select OFF.