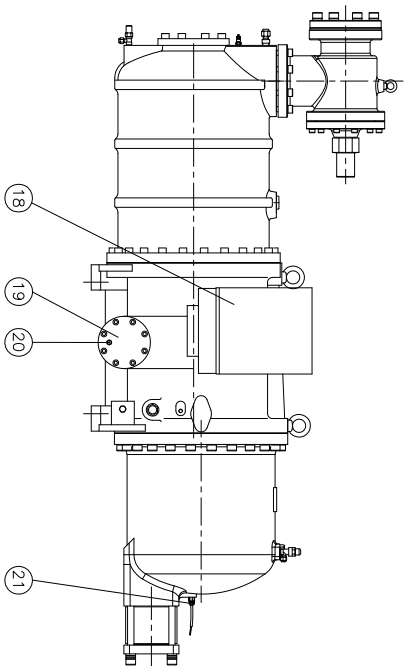
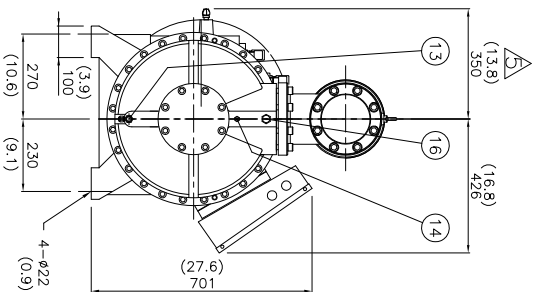
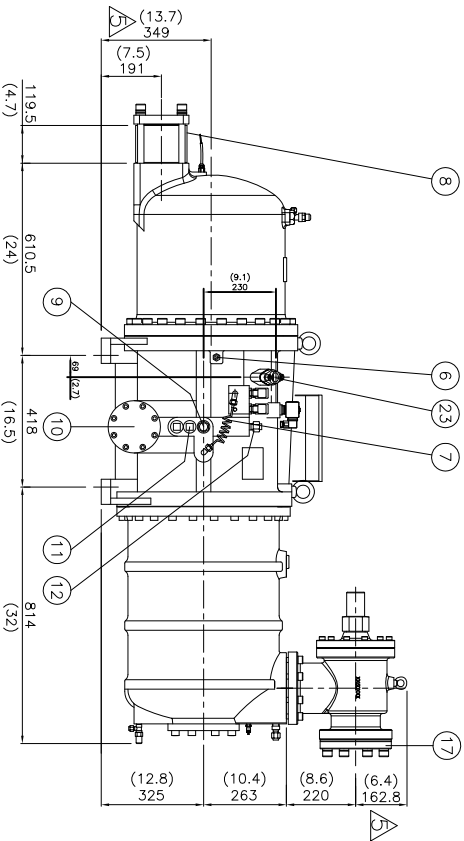
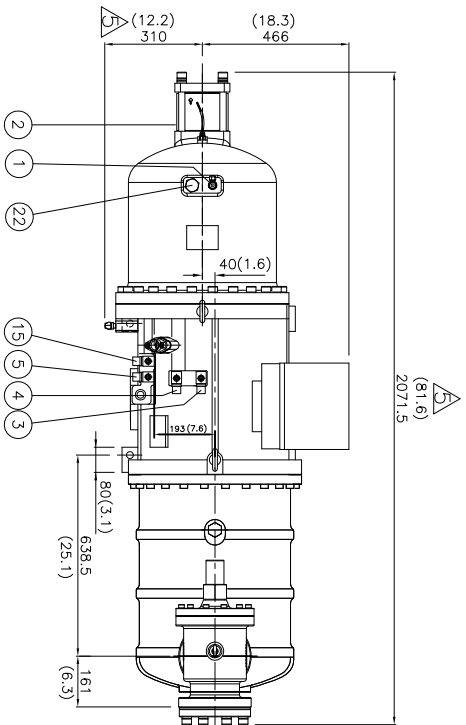


No.	Name	Note	No.	Name	Note
1	Angle valve	1/4"Flare	13	Angle valve	1/4"Flare
2	Discharge flange	4"	14	Refrigerant service valve	1/4"Flare
3	Solenoid valve	50%(NC)	15	Solenoid valve	Stainless(NC or NO), option
4	Solenoid valve	75%(NC)	16	Liquid injection connector	5/8"Flare
5	Solenoid valve	35%(NC)	17	Suction flange	5"
6	Liquid/oil or refrigerant injection connector	3/8"Flare,option	18	Cable box	Standard
7	Capillary		19	Service flange	
8	Check valve	4"	20	Oil drain valve	option
9	Oil flow sight glass		21	Discharge temp. sensor	110°C
10	Service flange		22	Safety Valve	1"NPt,option
11	Stop pin		23	Economizer port	1 1/8", solder
12	Oil inlet connector	3/4"Flare			

\*All stop valves are optional.



UNIT  
SI: mm Imperial: (in)

△	2014.09.04	Dimension correction	Model	RC2-930BF
△	2012.05.02	Delete Connector	Name	Compressor outline
△		Modification		Ver. 05