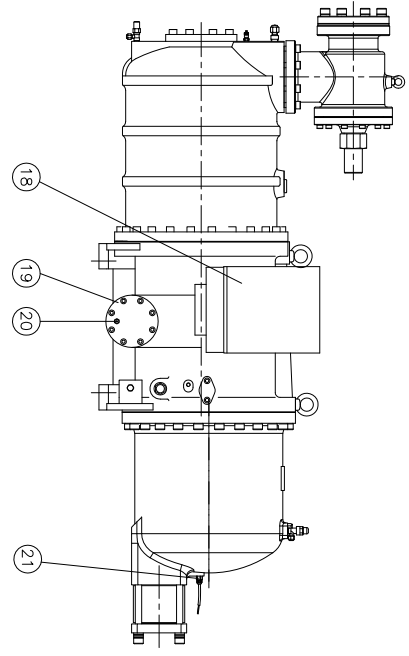
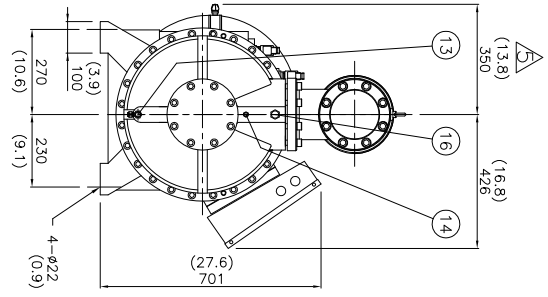
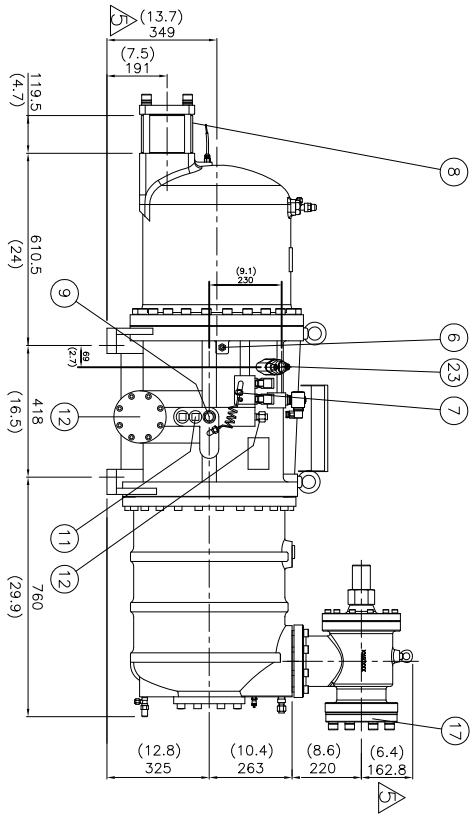
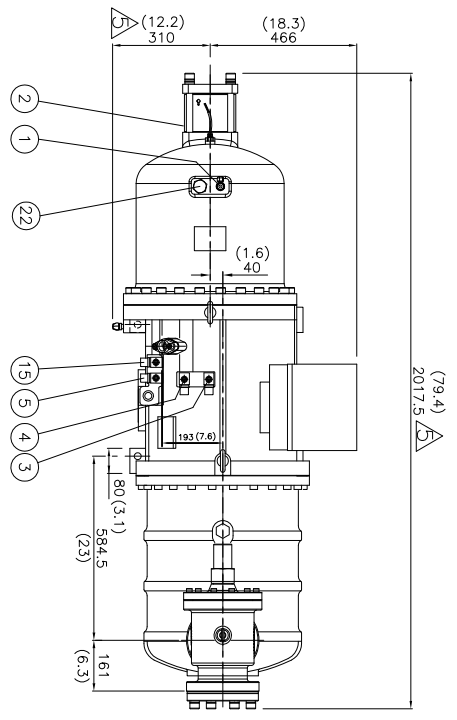


No.	Name	Note	No.	Name	Note
1	Angle valve	1/4"Flare	13	Angle valve	1/4"Flare
2	Discharge flange	4"	14	Refrigerant service valve	1/4"Flare
3	Solenoid valve	50%(NC)	15	Solenoid valve	Stepless(NC or NO), option
4	Solenoid valve	75%(NC)	16	Liquid injection	5/8"Flare
5	Solenoid valve	30%(NC)	17	Suction flange	5"
6	Liquid/oil injection connector	3/8"Flare,option	18	Cable box	Standard
7	Capillary		19	Service flange	
8	Check valve	4"	20	Oil drain valve	option
9	Oil flow sight glass		21	Discharge temp. sensor	110°C
10	Service flange		22	Safety Valve	1"NPT,option
11	Stop pin		23	Economizer port	1 1/8", solder
12	Oil inlet connector	3/4"Flare			

*All stop valves are optional.



UNIT		Model		RC2-790BF	
Si: mm		Name		Compressor outline	
Imperial: (in)		Modification		HANBELL Ver. 05	
6	2014.09.04	Dimension correction			
5	2012.05.02	Delete Connector			
4					
3					
2					
1					