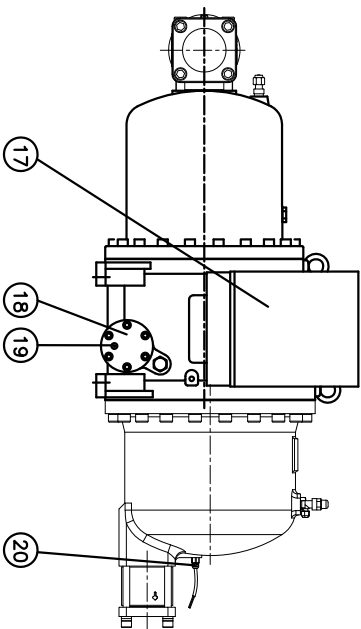
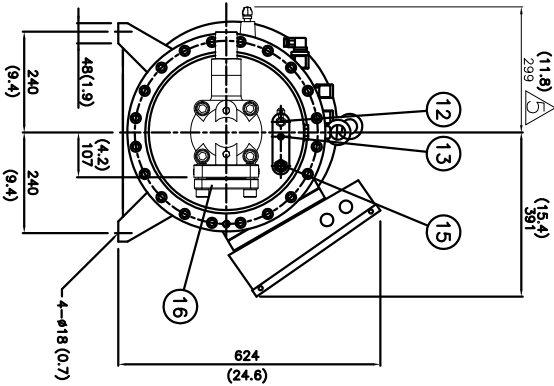
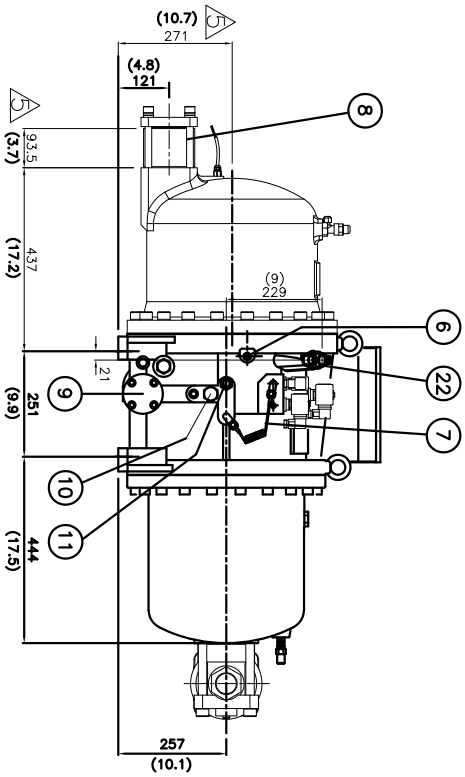
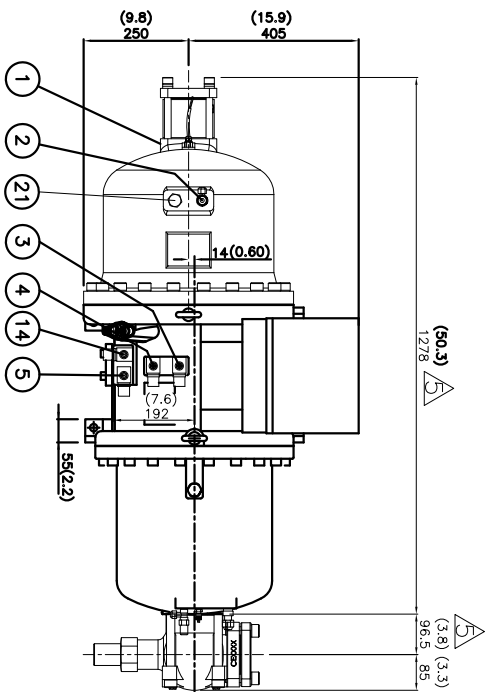


No.	Name	Note	No.	Name	Note
1	Angle valve	1/4"Flare	12	Angle valve	1/4"Flare
2	Discharge flange	2 1/2"	13	Refrigerant service valve	1/4"Flare
3	Solenoid valve	50%(NC)	14	Solenoid valve	Stepless(NC or NO), option
4	Solenoid valve	75%(NC)	15	Liquid injection connector	5/8"Flare, option
5	Solenoid valve	35%(NC)	16	Suction flange	3"
6	Liquid/oil or refrigerant injection connector	3/8"Flare, option	17	Cable box	Standard
7	Capillary		18	Service flange	
8	Check valve	2 1/2"	19	Oil drain valve	option
9	Service flange		20	Discharge temp. sensor	110°C
10	Stop Pin		21	Safety Valve	1/2"NPT, option
11	Oil inlet Connector	5/8"Flare	22	Economizer port	7/8", solder

*All stop valves are optional!



UNIT
Si. mm Imperial. (in)

6	2014.08.21	Dimension correction	
5	2012.04.25	Delete Connector	
Item	Date	Modification	

Model	RC2-310AF/BF
Name	Compressor outline
	Ver. 05