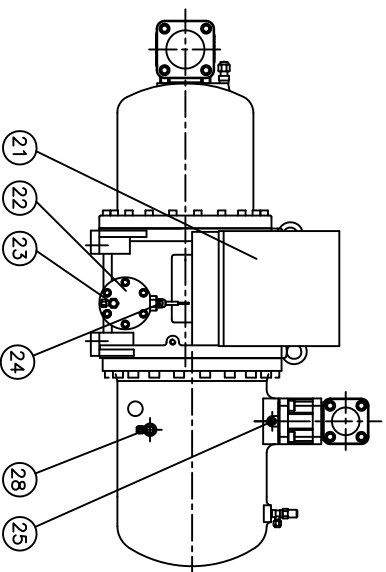
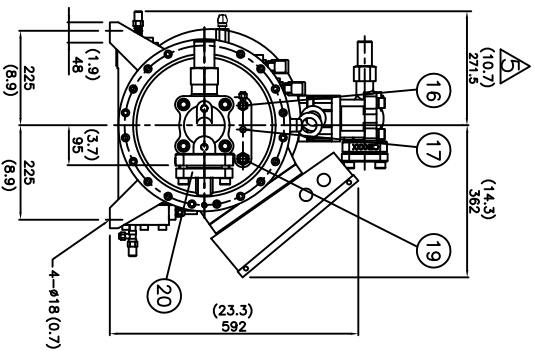
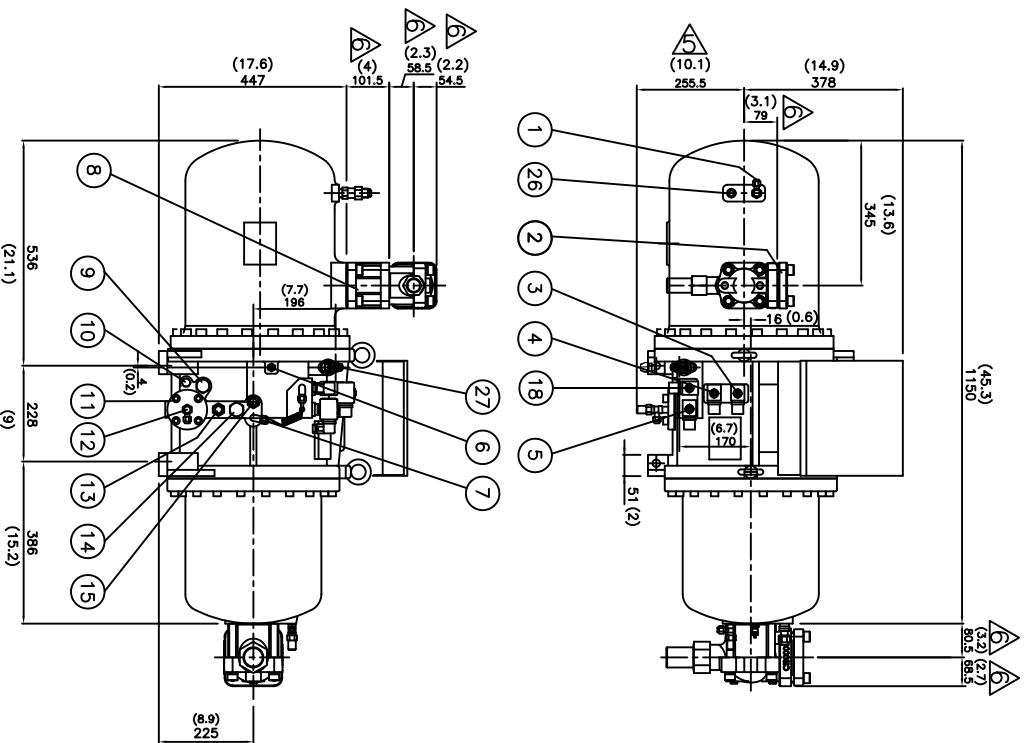


No.	Name	Note	No.	Name	Note
1	Angle valve	1/4"Flare	16	Angle valve	1/4"Flare
2	Discharge flange	1 1/2"	17	Refrigerant service valve	1/4"Flare
3	Solenoid valve	50%(NC)	18	Solenoid valve	Stepless(NC or NO),option
4	Solenoid valve	75%(NC)	19	Liquid injection connector	5/8"Flare, option
5	Solenoid valve	25%(NC)	20	Suction flange	2 1/2"
6	Liquid/oil or refrigerant injection connector	3/8"Flare, option	21	Cable box	Standard
7	Capillary		22	Service flange	
8	Check valve	1 1/2"	23	Oil drain valve	option
9	Oil sight glass	Low side	24	Oil level switch	option
10	Oil heater	150W/300W	25	Discharge temp. sensor	110°C
11	Oil filter cartridge		26	Safety Valve	1/2" NPT,option
12	Oil pressure differential switch		27	Economizer port	5/8", solder
13	Oil connector(out)	5/8"Flare, option	28	Over flow port	option
14	Stop pin	option			
15	Oil connector(in)	5/8"Flare, option			

*All stop valves are optional



UNIT	Si: mm	Imperial: (in)
△	2014.08.21	Dimension correction
△	2012.11.06	Dimension correction
△	2012.04.17	Delete 1.Connector 2.Oil temp. sensor
Item	Date	Modification
Model		RC2-200B
Name		Compressor outline
Name		HANBELL Ver. 06