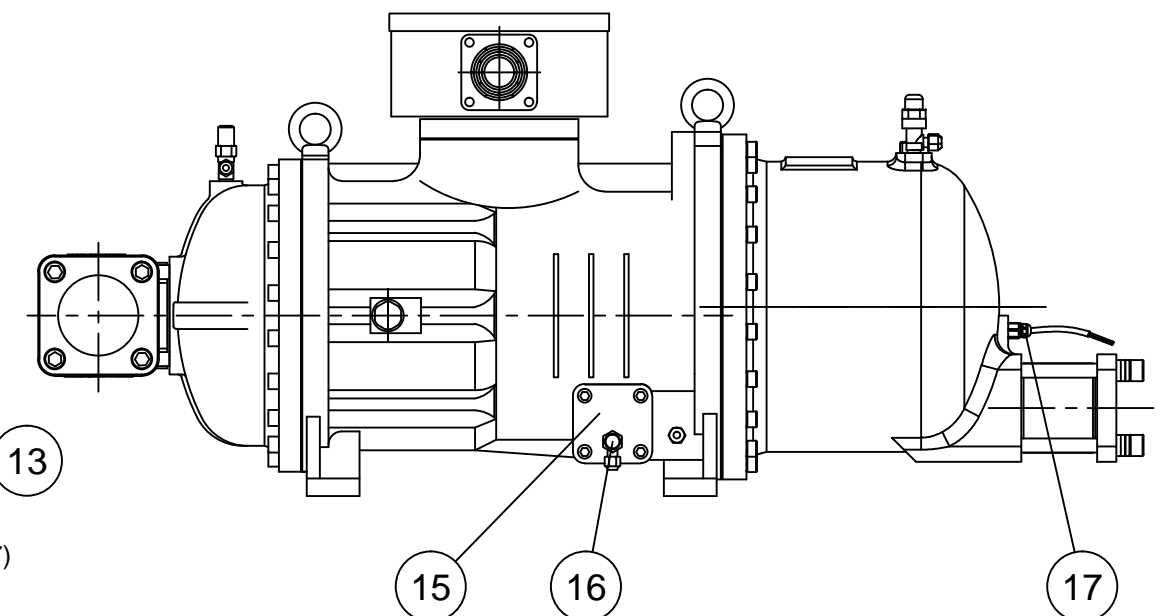
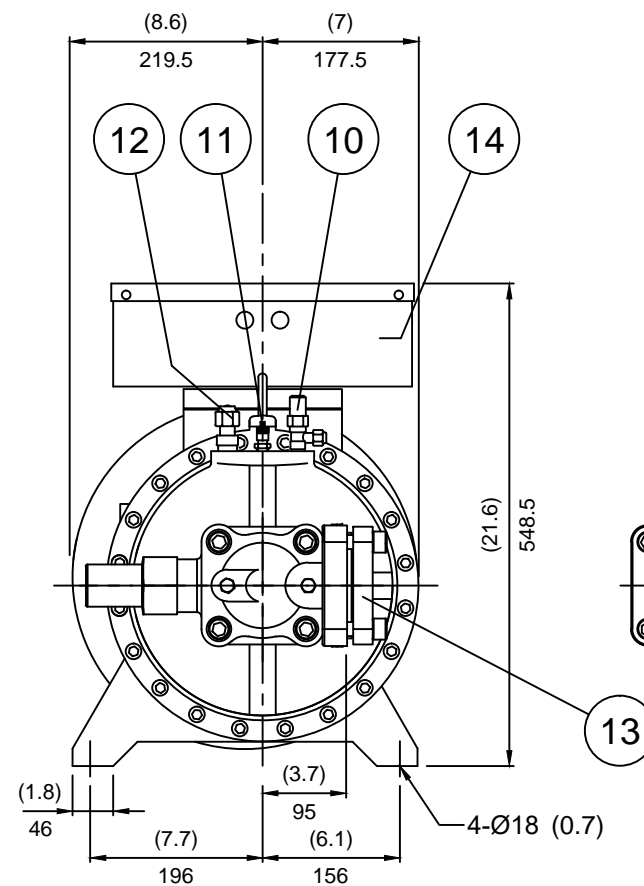
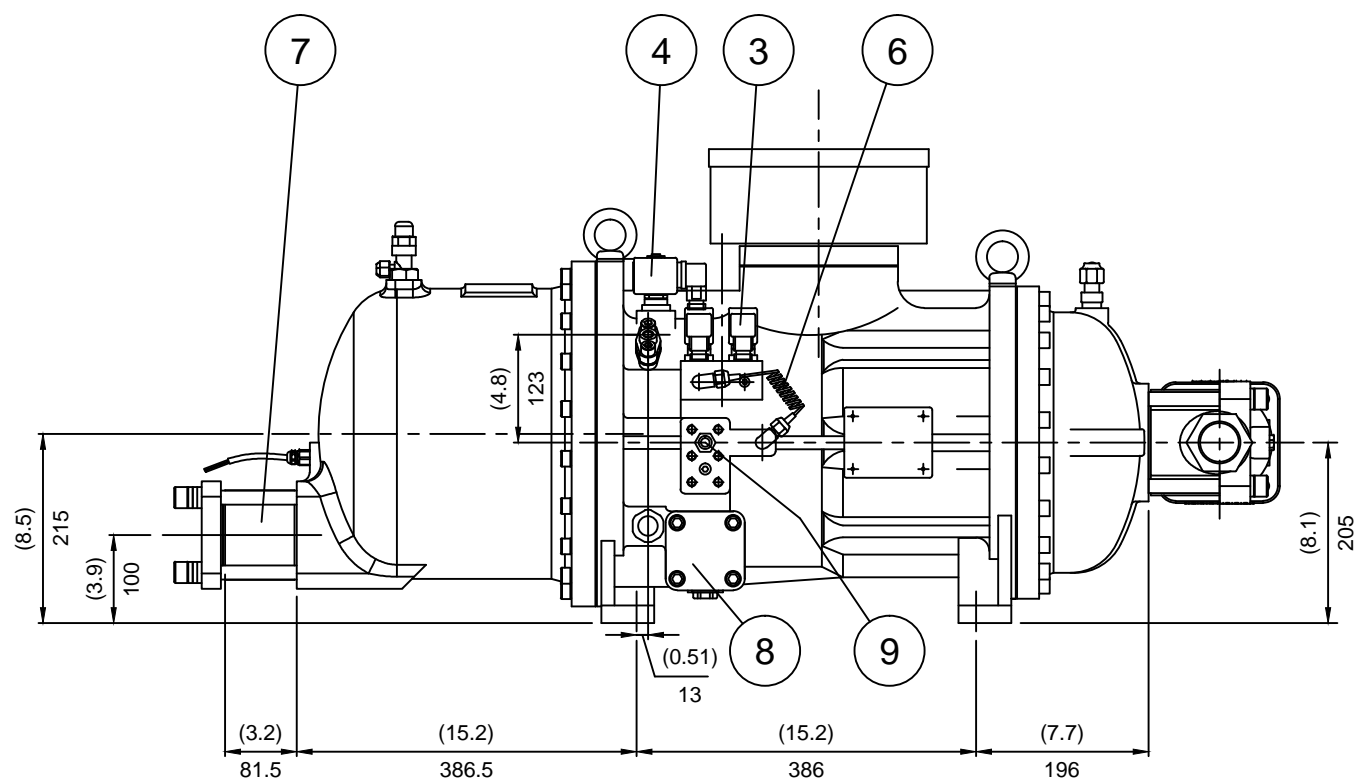


No.	Name	Note	No.	Name	Note
1	Angle valve	1/4"Flare	11	Refrigerant service valve	1/4"Flare
2	Discharge flange	2"	12	Liquid injection connector	5/8"Flare, option
3	Solenoid valve	33%(NC)	13	Suction flange	2 1/2"
4	Solenoid valve	66%(NC)	14	Cable box	Standard
5	Liquid(oil or refrigerant) injection connector	3/8"Flare, option	15	Service flange	
6	Capillary		16	Oil drain valve	Option
7	Check valve	2"	17	Discharge temp. sensor	110°C
8	Service flange		18	Economizer connector	5/8", solder
9	Oil inlet Connector	3/8"Flare	19	Safety Valve	1/2"Flare,option
10	Angle valve	1/4"Flare	20	Solenoid valve	Stepless(NC or NO), option

*All stop valves are optional.



Dimensional Outline Drawing & Component Description for Stepless or Modulating-Type Capacity Control Application	
Hanbell Model	RC2-180AF&BF
Date	06/03/2024
Drawn By	ILM



Micro Control Systems, Inc.	
5877 Enterprise Parkway	
Fort Myers, Florida 33905	
Tel. (239) 694-0089 Fax (239) 694-0031	
E-mail: compressors@mcscontrols.com	

Model	RC2-180AF&BF	
Name	Compressor outline	
		Ver. 05

UNIT
SI: mm Imperial: (in)