



RG Series

State-of-the-art twin-screw compressor designed for:

R717 and low temp. application.

R22, R134A, R410A, R407C, R507A, R717

Open-type Model **RG Series** Screw Compressor



5580 Enterprise Pkwy., Fort Myers, FL 33905 Office (239) 694-0089 Fax: (239) 694-0031

www.mcscontrols.com

Features of RG Open-type Compressor

Floating ECO Port for Economizer Use (RG-200, RG-410, RG-620, RG-830)

- Enhanced cooling capacity and energy efficiency
- Efficient vapor injection through a specially-designed keyway
- Effective at full load as well as at partial load
- Pulsation-free design



High-efficiency Screw Rotor Profile

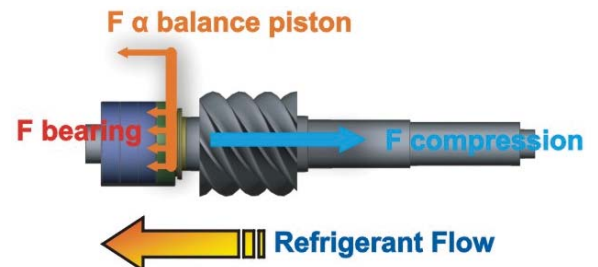
- 5-to-6 rotor profile patented in Taiwan, US, UK and China
- Suitable in low-temp. and R717 application
- High volumetric efficiency

Dual Capacity Control

- 4-step or Stepless (25%-100%) capacity modulation
- Easy control with solenoid valve and coil
- Efficient loading/ unloading oil circuit

Durable Bearing Structure

- Rigid thrust ball bearings and roller bearings
- α balance piston against axial thrust
- PEEK® bearings in R717 application
- Heavy-duty design



Wide Vi Selection

- Variable volume ratio (V_i) without over- or under-compression
- Manually adjusted volume ratio for a wide range of applications

Easy Oil Management

- Pressure-differential lubrication and capacity modulation
- Built-in oil circuit for lubrication of bearings, rotors and mechanical seal

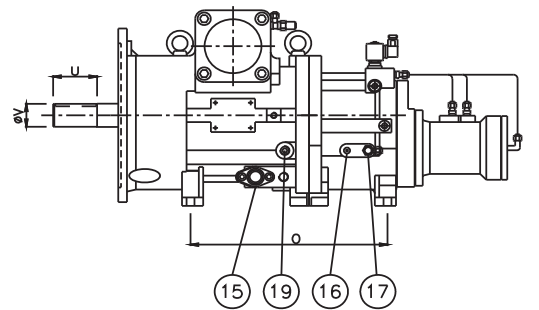
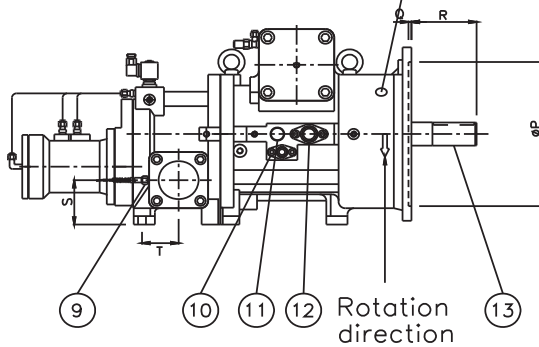
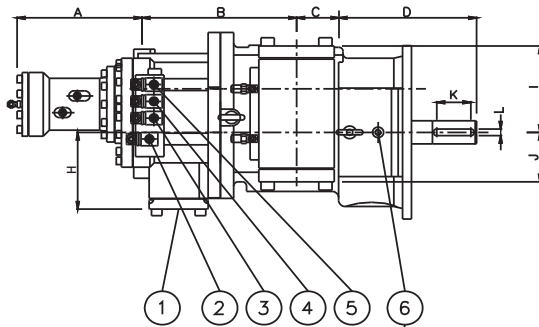
More Features

- Flanged-on motor mounting
- Spring or bellow type mechanical seal
- Oil injection connector for extra cooling to chamber
- Discharge temperature thermistor
- Capacity indicator as optional accessory
- Low noise level and minimum vibration
- Few moving parts and easy maintenance
- Compact size on piping work

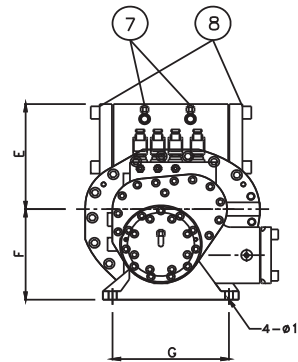
Technical Data:

Model		RG-200	RG-410	RG-620	RG-830	RG-1150	RG-1270	
Displacement at 50Hz	Cubic FT/Min	112	237	364	746	674.51	746	
Maximum speed	rpm	4500					3600	
Minimum speed	rpm	1500						
Range of capacity control	-	25%~100%						
Range of Vi-adjustment	-	2.6~5.1			2.6~5.6			
Weight	lb	511	2570	1047	1131	2205	2571	

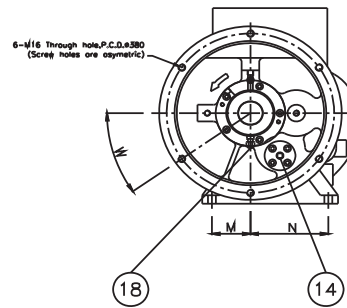
RG-200~830 Outline



No.	Name	Note	No.	Name	Note
1	Discharge flange		11	Oil sight glass	
2	Solenoid valve	Stepless,NC	12	Oil inlet	1-1/8"ODF
3	Solenoid valve	25%,NC	13	Compressor Shaft	Ø45~Ø60 (*1)
4	Solenoid valve	60%,NC	14	Vi adjustment	2.6~5.1
5	Solenoid valve	75%,NC	15	Economizer port	7/8"&1-1/8"ODF(*2)
6	Plug		16	Plug	
7	Angle valve(Low side)	1/4"F	17	Angle valve(High side)	1/4"F
8	Suction flange		18	Oil drain	
9	Discharge temp. sensor	PTC(Optional)	19	Capacity indicator plug	1/2"NPT
10	Compression chamber liquid/oil injection port	5/8"ODF			



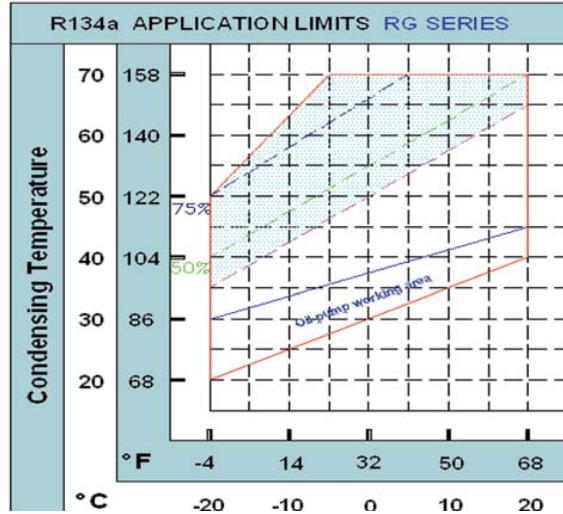
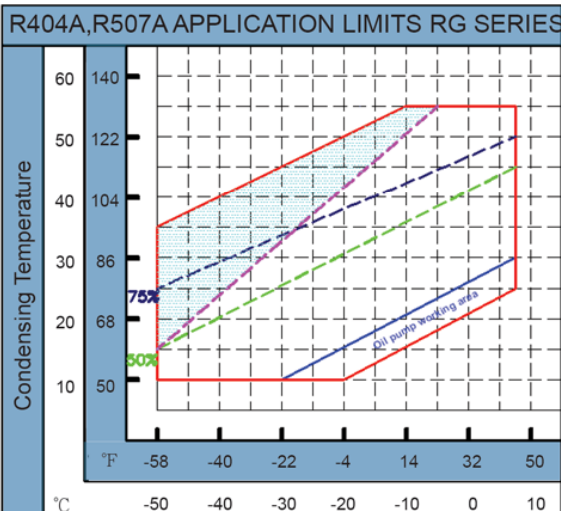
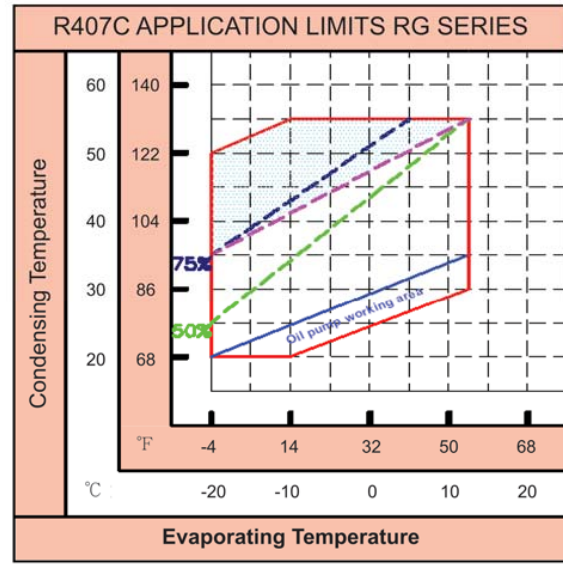
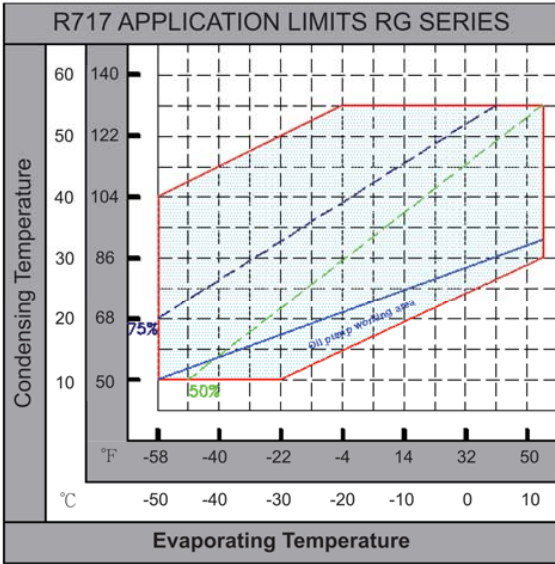
*1
 RG-200:Ø45
 RG-410:Ø55
 RG-620:Ø60
 RG-830:Ø60
 *2
 RG-200:7/8"
 RG-410~830:1 1/8"



	A	B	C	D	E	F	G	H	I	J	K	L
RG-200	8.6	11	3.5	10.74	8.78	7.83	10.40	6.71	6.06	2.99	1.97	.47
RG-410	11.16	13.80	3.80	12.27	9.86	8.50	10.40	7.20	8.11	4.64	3.03	.063
RG-620	12.44	15.16	6.02	11.50	12.52	9.84	13.78	8.31	9.11	4.78	3.03	.063
RG-830	12.44	17.24	6.22	12.65	12.52	9.84	13.78	8.38	9.19	4.70	3.03	.063
RG-1270	14.92	19.96	8.78	13.57	18.90	12.40	17.72	10.39	14.09	8.86	2.99	20

	M	N	O	P	Q	R	S	T	U	V	W
RG-200	3.66	6.73	14.61	Ø11.57	.25	5.78	5.78	3.11	3.94	Ø1.77	1.57
RG-410	3.44	6.95	17.6	Ø13.54	.25	5.81	4.17	3.27	3.94	Ø1.77	1.38
RG-620	4.65	4.76	21.14	Ø14.96	.25	5.90	4.57	4.05	3.94	Ø2.36	1.38
RG-830	4.65	9.13	23.46	Ø14.96	.25	5.92	4.86	4.09	3.94	Ø2.36	1.38
RG-1270	5.51	11.42	28.74	Ø19.68	.25	6.41	6.97	5.20	4.92	Ø2.91	1.77

Application Limits



North American Distributor of Hanbell Compressors

5580 Enterprise Parkway / Fort Myers, FL 33905 / Phone: 239-694-0089

www.mcscontrols.com

HBCE-RG-17-A(500)

Hanbell - Micro Control Systems- 4

