

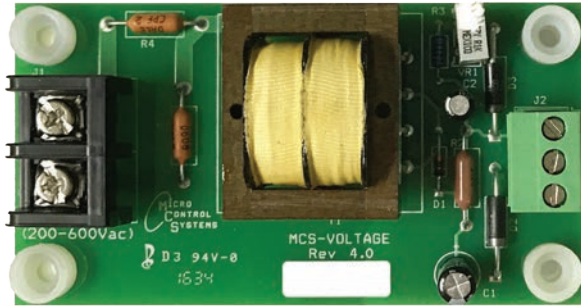


MCS-VOLTAGE-1PH

Description & Specifications

Kit includes:

- MCS-VOLTAGE
- Fuse Block
- Fast Acting 600V 1/10 AMP Fuses
- Quantity: 2 (included)



Part # **MCS-VOLTAGE-1PH**

Description

The **MCS-VOLTAGE-1PH** measures AC voltage between 200-600 AC. It is designed to monitor the voltage of a single phase of the main input power to the unit.

The MCS-VOLTAGE-1PH sensor provides a DC voltage output that corresponds to the AC voltage it is measuring. This sensor allows the MCS-Magnum to safely protect the motors on the unit from under voltage, over voltage and voltage imbalance conditions.

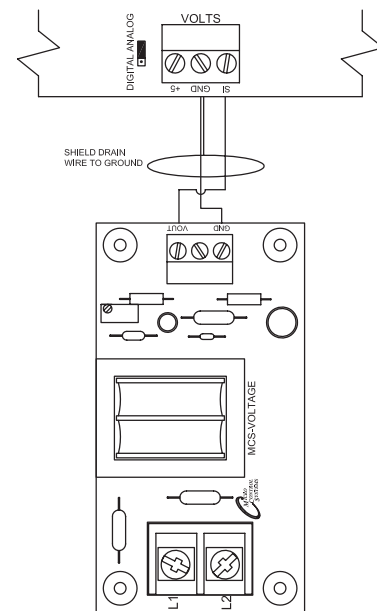
Specifications

Package Dimensions:

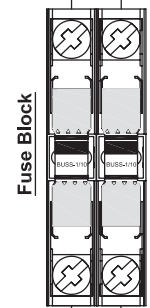
- Width2.125"
- Length.....4.00"
- Height1.50"
- Mounting Holes.....4 holes using #6 sheet metal screws through nylon collars at corners of board

- Measurement Range200 to 600vac
- Output Voltage.....1.42 to 4.91vdc
- Accuracy.....±2.0% of reading
- Operating Temperature.....-40°F to +175°F (-40°C to +80°C)
- Storage Temperature.....-40°F to +175°F (-40°C to +80°C)

MCS-MAGNUM OR MCS-SI16-AO4



Fuse: Part #: 25-027
600V 1/10 AMP Fast Acting
Quantity: 2



L1 L2

200-600 VAC

Input to Output Voltage Chart

Input Voltage (AC)	Output Voltage (DC)	Input Voltage (AC)	Output Voltage (DC)	Input Voltage (AC)	Output Voltage (DC)
200	1.42	340	2.62	480	3.383
220	1.59	360	2.79	500	4.00
240	1.76	380	2.97	520	4.19
260	1.93	400	3.14	540	4.37
280	2.10	420	3.31	560	4.55
300	2.27	440	3.48	580	4.73
320	2.45	460	3.66	600	4.91