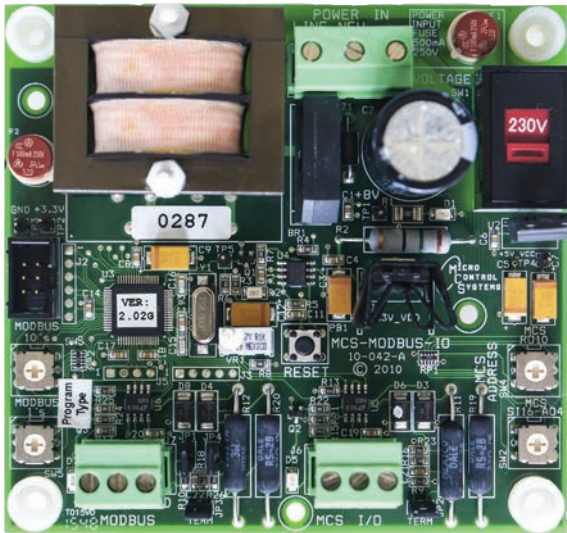




MCS-MODBUS-I/O

Description & Specifications



Part # **MCS-MODBUS-I/O**

Description

The **MCS-MODBUS-I/O** gives the MCS-MAGNUM the ability to act as a Modbus Master using the Modbus RTU Protocol. This allows the **MCS-MAGNUM** to communicate to Modbus slave devices (such as Variable Frequency Drives, Compressors, etc.) to send and access parameters.

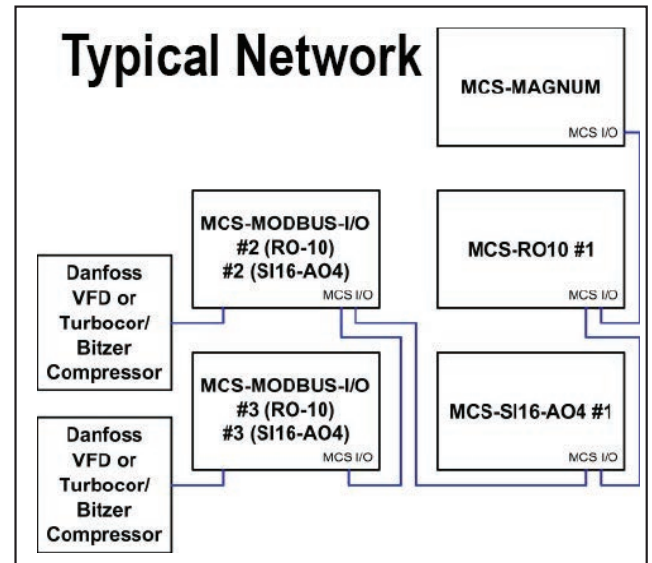
The MCS-MODBUS-I/O performs like a **MCS-RO10** and **MCS-SI16-AO4** to the MCS-MAGNUM. This allows the MCS-MAGNUM to control 10 relays, 4 analog outputs and read 16 sensors.

Specifications

- Dimensions..... 4.25" w, 4.00" h, 2.50" d
- Mounting Holes..... 4 holes using #6 screws through nylon collars at corners of board
- Cover..... Lexan with standoffs
- Operating Temperature..... -40°F to +158°F (-40°C to +70°C)
- Operating Humidity..... 0-95% Non-Condensing
- Storage Temperature..... -40°F to +158°F (-40°C to +70°C)
- Printed Circuit Board Four layer with separate power and ground planes
- Input Power (Standard) 115 or 230vac ±10% 50/60Hz at 77°F (25°C) ambient, 20VA max (Voltage is field selectable)
- Power Detection Automatic power fail reset
- MCS-I/O Comm Port 1 at 38,400 baud
- Modbus Comm Port..... RS485 with optional baud rates of 9600, 19200, and 38400
- Other Settings..... 1 stop bit, 8 data bits, No Parity

Options

- 24.....24vac input power ±10%
50/60Hz @ 77°F (25°C) ambient

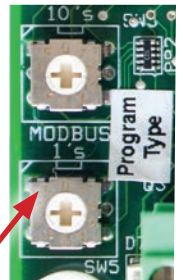


Multiple MCS-MODBUS-I/O boards may be connected to the MCS-MAGNUM following MCS-I/O standards.

The MCS-MODBUS-I/O has pre-defined configurations that are field selectable via the PROGRAM TYPE dials, up to 99 different slave devices, one Modbus per slave.

Please see the MCS-MODBUS manual for a current list of inputs and outputs for the pre-defined configurations. The MCS-MODBUS can be shipped from the factory with the switches set for your configuration.

By setting the program select to '9', the MCS-MODBUS-I/O board can also be configured by the user with free configuration software, MCS-CONNECT.



Program Type Switch 9 is reserved for 'USER' setup

PROGRAM TYPE	CONFIGURATION NAME
0	MCS_YASKAWA VFD
1	TURBOCOR Compressor
2	TURBOCOR1 Compressors
3	DANFOSS VLT DRIVE
4	BITZER Compressor
5	DANFOSS CDS 303 DRIVE
6	EMERSON_VFD
7	MCS-POWERMETER
8	RUKING_VFD
9	USER

Revision 2017-05-25