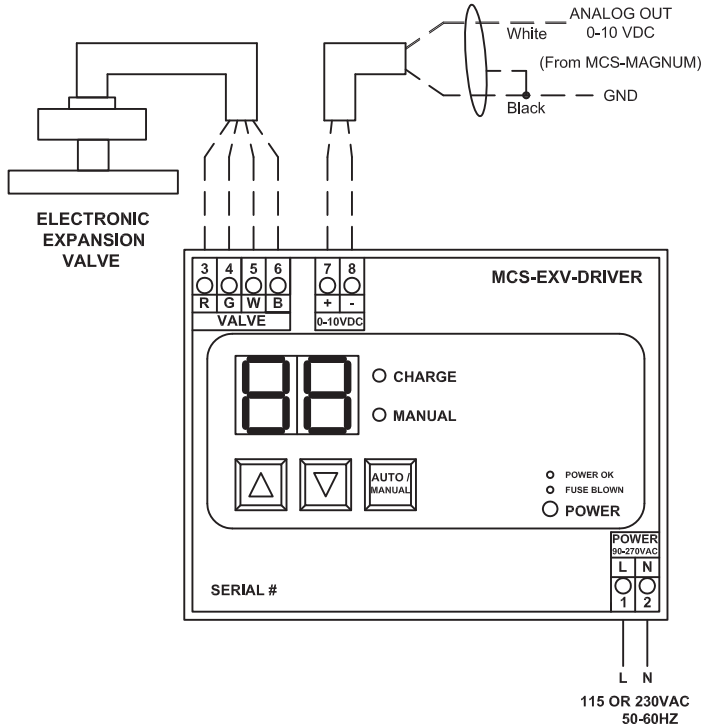


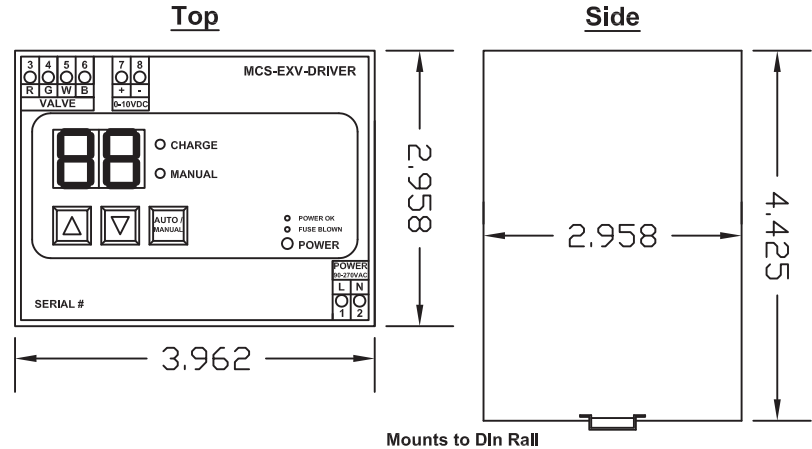
MCS-EXV-DRIVER

Electronic Expansion Valve Interface

Wiring Diagram



Connection Numbering	ALCO EX	SPORPLAN SEI-SER-SEH	DANFOSS ETS	CAREL
Refer to the Manufacturer's Datasheet of the Valve for Verification of Wiring				
3	Black	Red	Red	Green
4	White	Green	Green	Brown
5	Brown	White	White	White
6	Blue	Black	Black	Yellow



5580 Enterprise Pkwy, Fort Myers, FL 33905 USA
 Phone: (239) 694 0089 - Fax: (239) 694 0031
 www.mcsccontrols.com - support@mcsccontrols.com

MCS-EXV-DRIVER Wiring Diagram (2017-04-20).dwg

