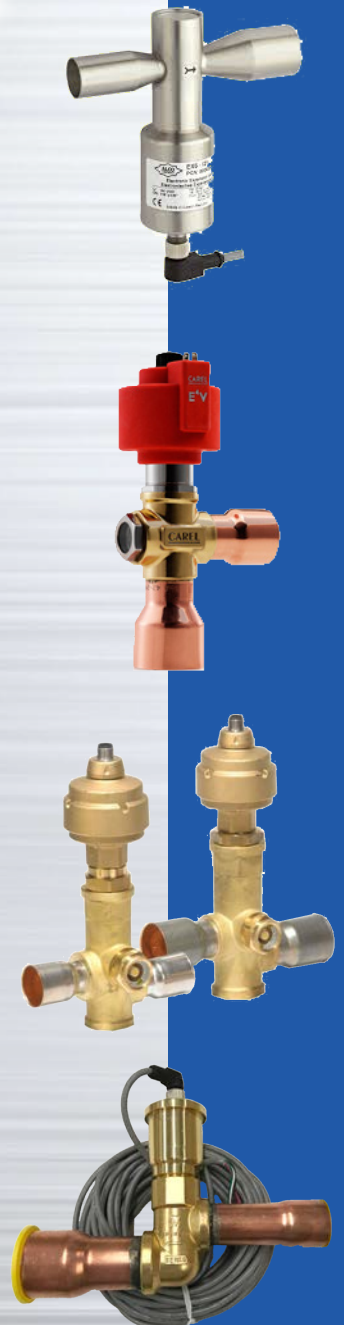




# MCS-EXV-DRIVER



*Used for the positioning  
of  
Stepper Expansion Valves*



# MCS-EXV-DRIVER

The **MCS-EXV-DRIVER** is used to move an electronic stepper expansion valve. The position of the valve is based on an analog input voltage of 0-10 VDC (0 VDC = 0% valve is closed, 10 VDC = 100% valve is fully opened).

The MCS-EXV-DRIVER also supports overdriving on full opened and full closed voltage signals.

Another advantage of using the MCS-EXV-DRIVER is that it eliminates the need for having a liquid line solenoid. The MCS-EXV-DRIVER has capacitors that store enough power to close the valve when input power fails.

The amount of time to charge can be seen from the LED indicator. At power up the LED indicator will blink until the storage system is fully charged. At power off the valve is driven closed and the LED indicator will blink.

When the valve is closed and the storage system is depleted the LED indicator will be off.

***The MCS-EXV-DRIVER supports several electronic valve manufacturers including Sporlan, Alco, Danfoss and Carel.***

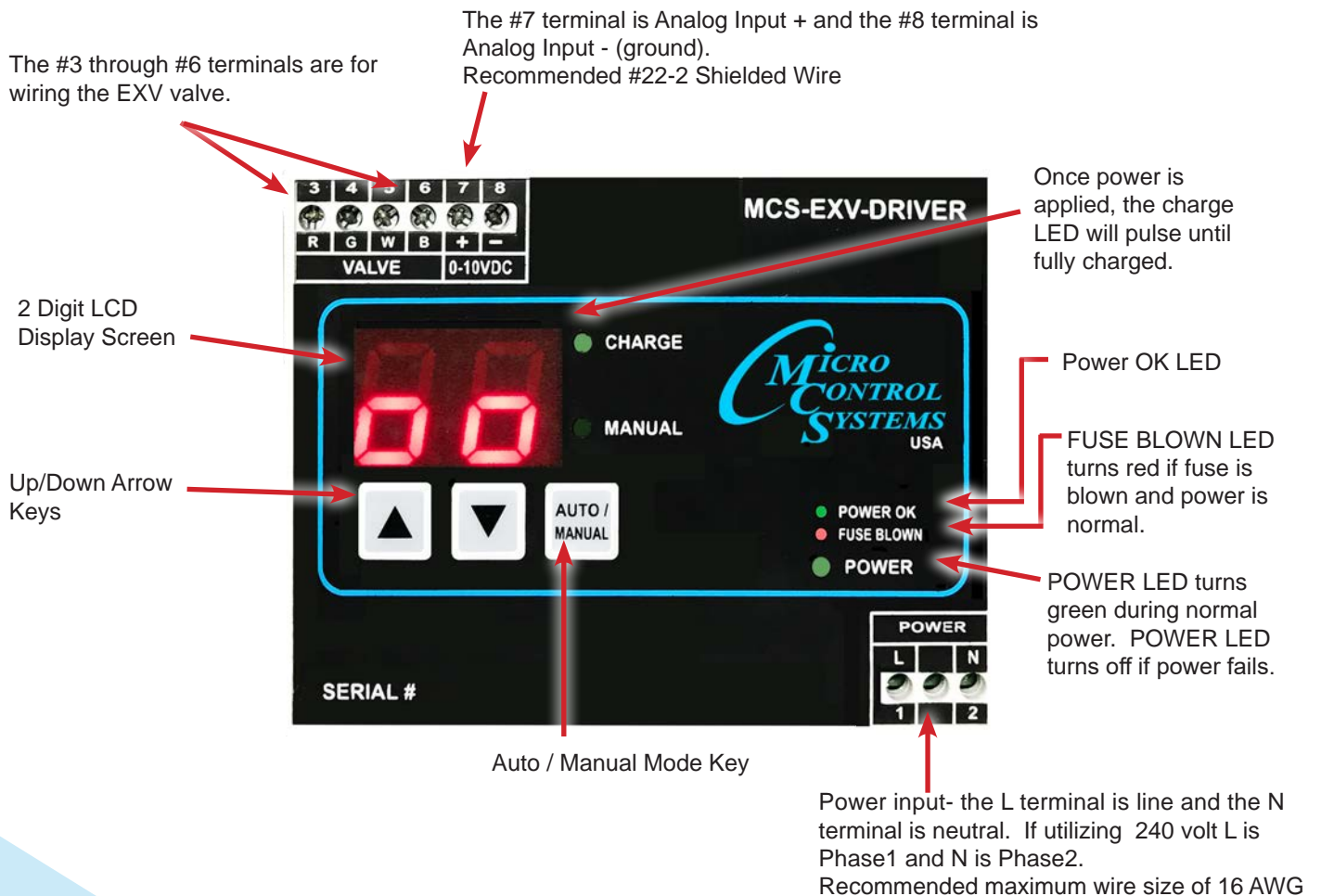
Valve Code	# of Steps	EXV TYPE
A1	750	Alco EX4-EX5-EX6
A2	1660	Alco EX7
A3	2600	Alco EX8
CL	500	CAREL E2V, E3V, E4V, E5V, E6V, E7V
D1	2625	Danfoss ETS-12/25/50
D2	3530	Danfoss ETS-100
D3	3810	Danfoss ETS-250/400
S1	1596	Sporlan SEI 0.5 to 11
S2	1596	Sporlan SER 1.5-20 (AA,A,B,C,D,E)
S3	3193	Sporlan SEI 30; SDR -3, SDR-3x
S4	2500	Sporlan SER-AA-A, B,C,D Sporlan SERI-F,G,J,K,L CDS -2, -4, -7
S5	6386	Sporlan SEI-50, SEH (I)-100, -175, -400; CDS -9, -16, -17; SDR -4
T1	1596	Sporlan SEI 0.5 to 11- two valves wired to one MCS-EXV-DRIVER
T2	1596	Sporlan SER 1.5-20 (AA,A,B,C,D,E)- two valves wired to one MCS-EXV-DRIVER
T3	3193	Sporlan SEI 30; SDR -3, SDR-3x- two valves wired to one MCS-EXV-DRIVER
T4	2500	Sporlan SER-AA-A, B,C,D Sporlan SERI-F,G,J,K,L CDS -2, -4, -7 - two valves wired to one MCS-EXV-DRIVER
T5	6386	Sporan SEI-50, SEH (I)-100, -175, -400; CDS -9, -16, -17,; SDR -4 - two valves wired to one MCS-EXV-DRIVER

# MCS-EXV-DRIVER

## Features

- Modes of operation: **Auto/Manual**
- Closing of the valve on loss of power.
- Universal main supply operation (accepts 110 to 240 VAC  $\pm 10\%$  (50/60 Hz); 44 VA or 24 VAC  $\pm 10\%$  (50/60 hZ))
- Supports a variety of expansion valves
- POWER OK indicator LED
- FUSE BLOWN indicator LED
- If a power failure occurs it activates the **MCS-EXV-DRIVER** into power down mode.

## User Interface



# Providing HVAC/R Solutions Worldwide



## *The MCS Commitment*

*The founders of Micro Control Systems Inc. have been in the manufacture of Microprocessor Controls their entire careers and have over eight decades of combined HVAC/R Microprocessor Controls experience. MCS was founded to meet the needs of the Utility and HVAC/R Industries with products based on the following design criteria:*

- ◆ **Quality & Service**
- ◆ **Cost Effectiveness**
- ◆ **Ease of Use**

*Our commitment is to provide practical solutions for the industries needs and to be both a leader and partner in the effective use of Microprocessor Controls.*

5580 Enterprise Pkwy., Fort Myers, FL 33905  
Office: (239) 694-0089 Fax: (239) 694-0031

**[www.mcscontrols.com](http://www.mcscontrols.com)**

Revised - 09-28-2018