

Micro Control Systems

APPLICATION NOTE
APP-073

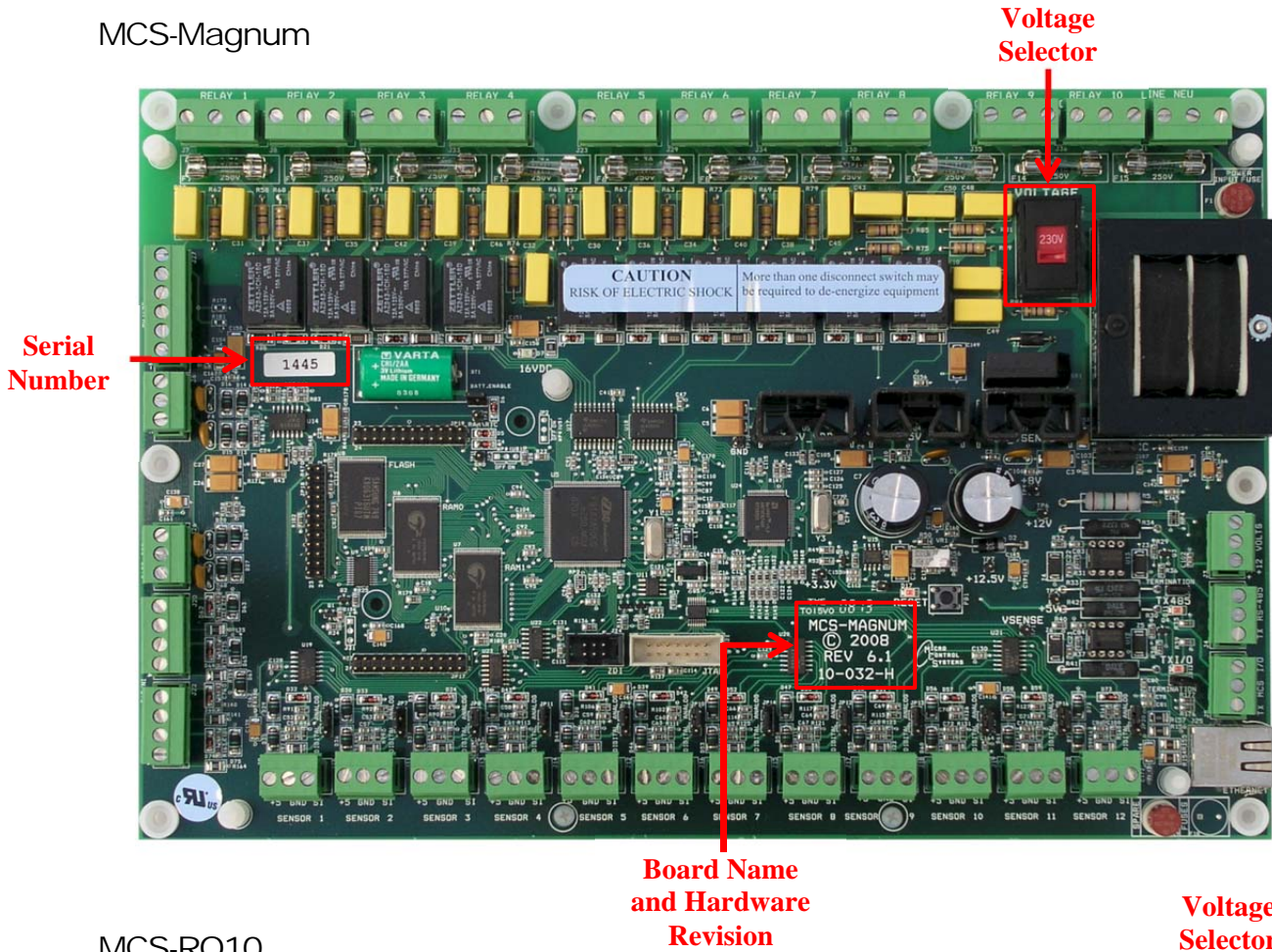
MCS Boards Legend

Revision History

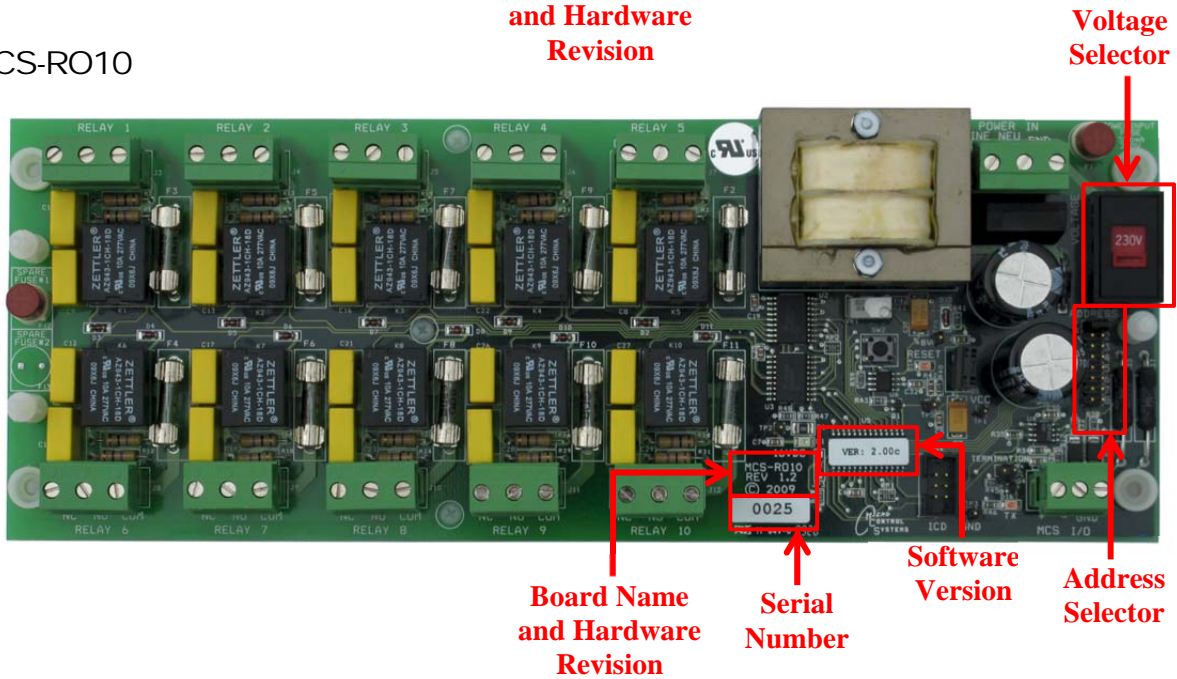
Date	Author	Description
08/10/11	Weston Klebs	Created application note

This document was created to make it easy to find important locations on MCS control boards such as Serial Numbers, Hardware and Software Revisions, Voltage Selectors, and so forth.

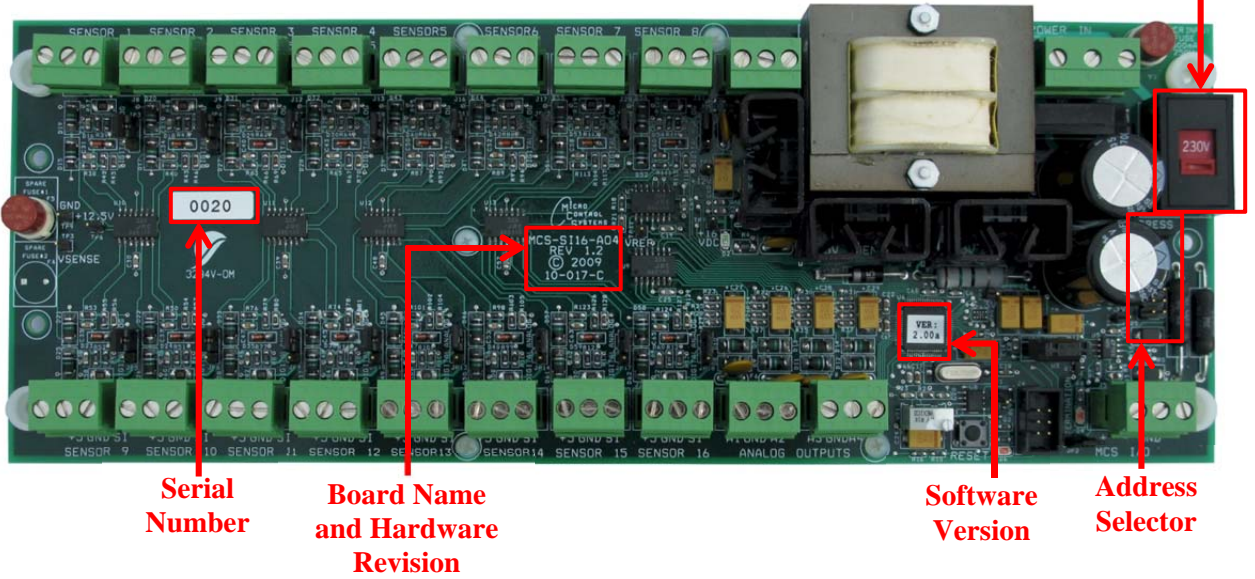
MCS-Magnum



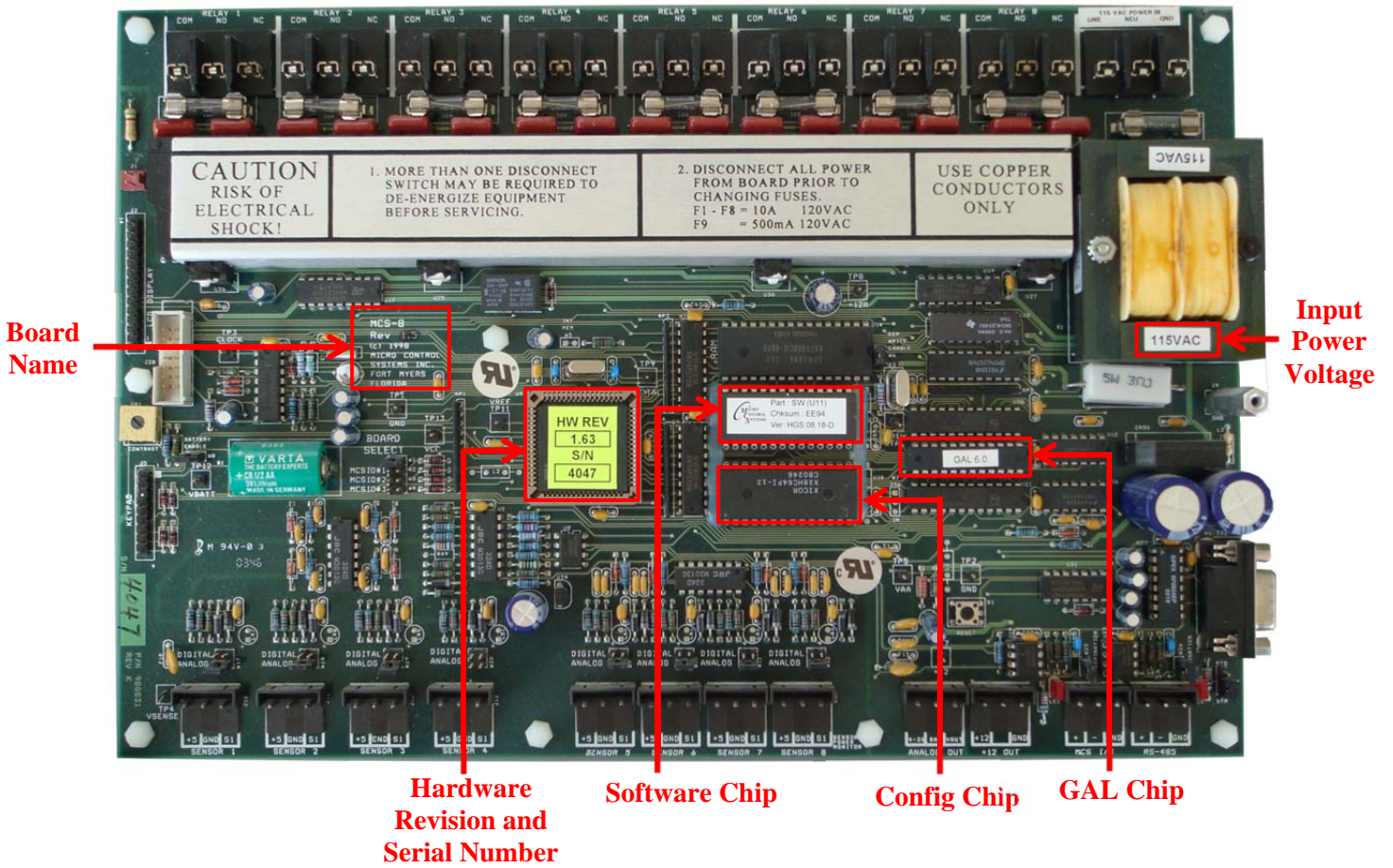
MCS-RO10



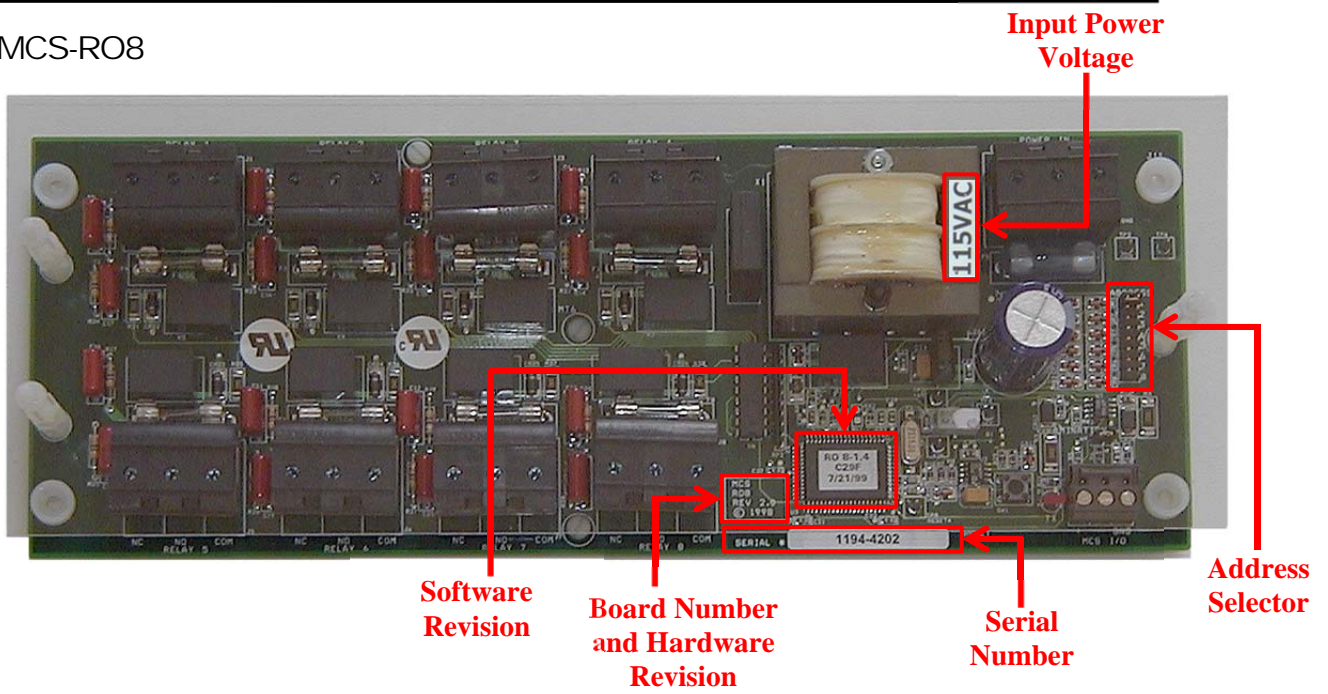
MCS-SI16-AO4



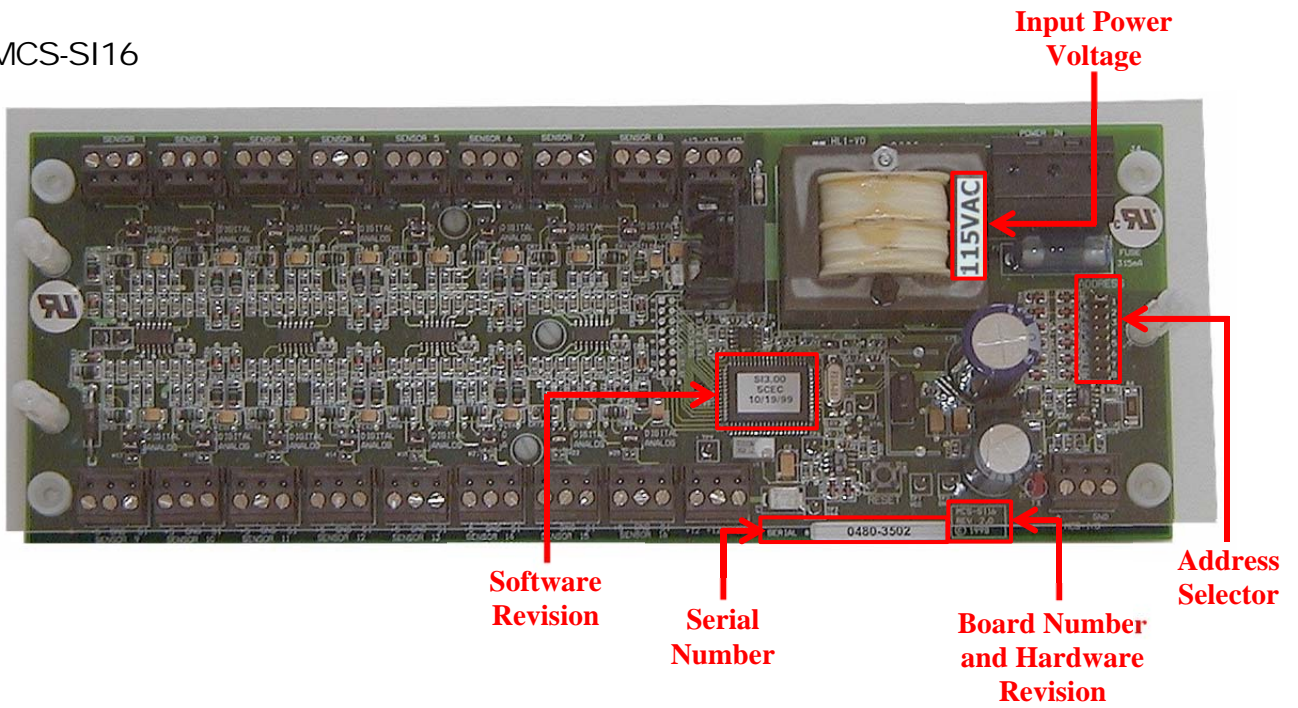
MCS-8



MCS-RO8



MCS-SI16



MCS-I/O

